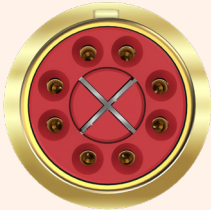
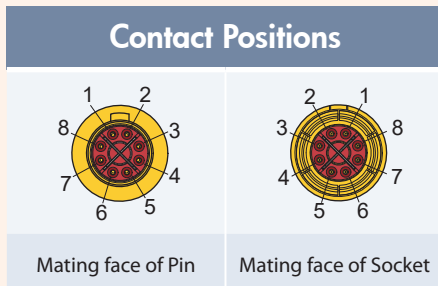


El Ochito[®] Red Single-Ended Cable Assembly 8573-0023



El Ochito[®] Red for Multi-Gigabit 100 Ohm Datalinks, pin contact mating face

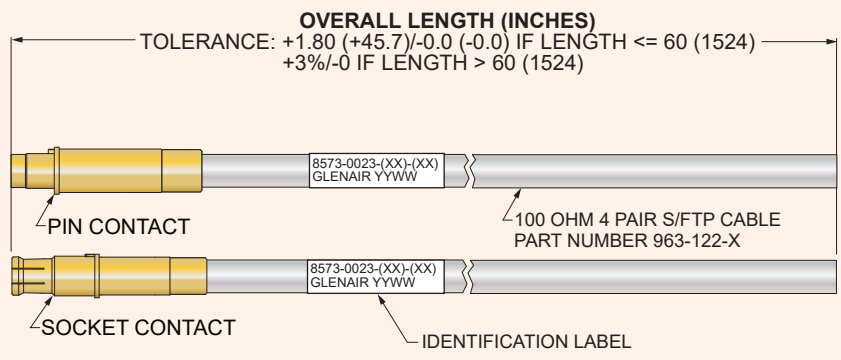
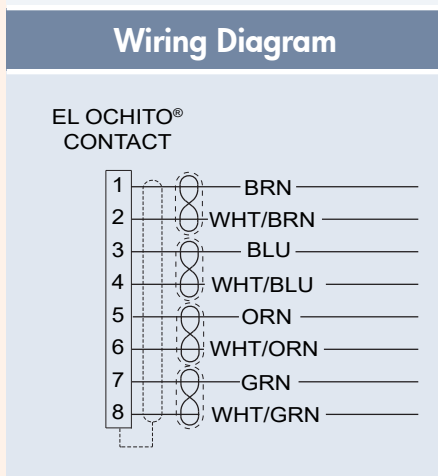
Save assembly time and cost with pre-wired, 100% tested El Ochito[®] Red assemblies for multi-gigabit datalinks. These single-ended cables have El Ochito[®] Red contacts terminated to Glenair general purpose, aerospace-grade 100 ohm shielded twisted pair cable. Suitable for Cat 6a, HDMI and DisplayPort protocol applications. Supplied with cable sealing boot. Compatible with Glenair Series 23, Series 801 & 805, Series 28, Series 792, Series 806 and ARINC 600 connectors. Designed to meet the requirements of MIL-DTL-38999 and SAE AS39029. *El Ochito[®] contacts must be installed in keyed connectors before mating to prevent misalignment and contact damage.*



Technical Data

- Refer to individual contact and wire data sheets for construction details
- 100% tested for shorts, continuity and IR

- Operating temp.:** -65° to +125°C
- Impedance:** 100 ohms
- DWV:** 300 Vrms
- Current Rating:** 1.5 A
- IR:** 10 megohms min.
- Durability:** 500 mating cycles



El Ochito[®] Red Single-Ended Cable Assemblies

Sample Part Number→	8573-0023	-01	-1	-36
Product	8573-0023 = Pre-wired El Ochito [®] contact, single-ended, Multi-Gigabit			
El Ochito [®] Contact P/N	See Table I			
Cable Jacket	1 = Duraelectric Jacket 2 = Polyurethane LSZH 3 = FEP			
Length	Length in Inches (12 inch minimum)			

Table 1 Order Code

Connector Type	Order Code	Contact Part No.	Pin/Skt	Data Protocol	Cable
Series 23 Series 801 and 805 Series 28	01	858-030-02	Pin	High Speed, > 1 Gbps	963-122-X 26 AWG
	02	858-031-02	Socket	High Speed, > 1 Gbps	963-122-X 26 AWG
ARINC 600	03	858-039-01	Pin	High Speed, > 1 Gbps	963-122-X 26 AWG
	04	858-037-01	Socket	High Speed, > 1 Gbps	963-122-X 26 AWG
Series 792 and 806	05	858-049-01	Pin	High Speed, > 1 Gbps	963-122-X 26 AWG
	06	858-050-01	Socket	High Speed, > 1 Gbps	963-122-X 26 AWG