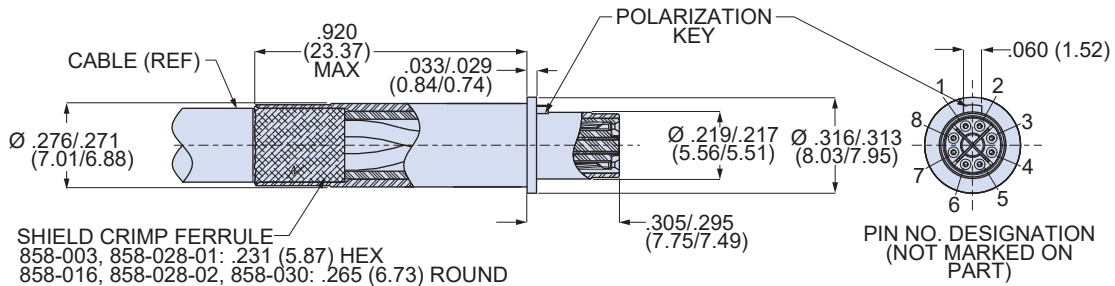
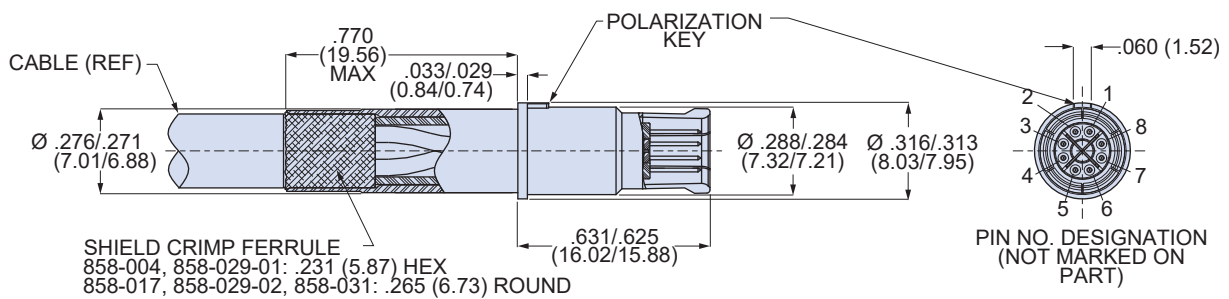


Dimensions

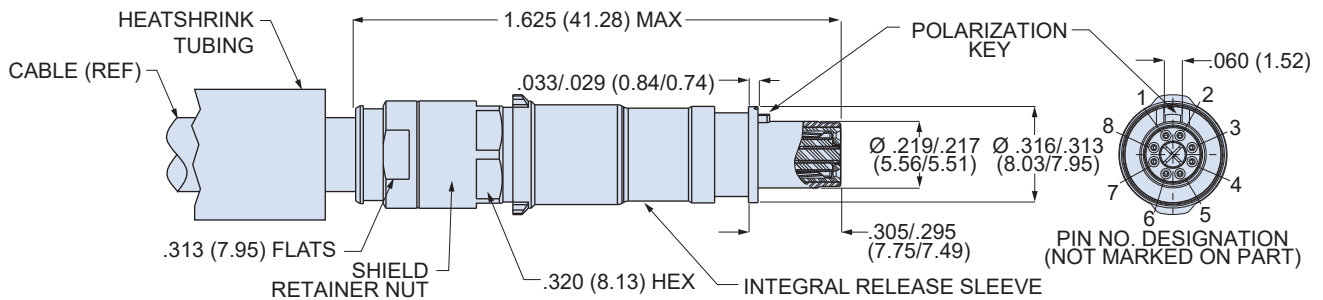
El Ochito® Type I Pin Contact 858-003, 858-028, and 858-030



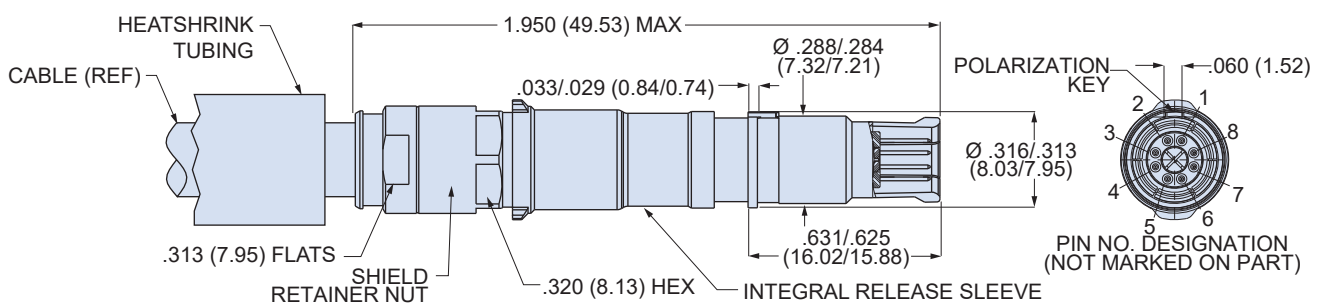
El Ochito® Type I Socket Contact 858-004, 858-029, and 858-031



El Ochito® Type II Pin Contact 858-005

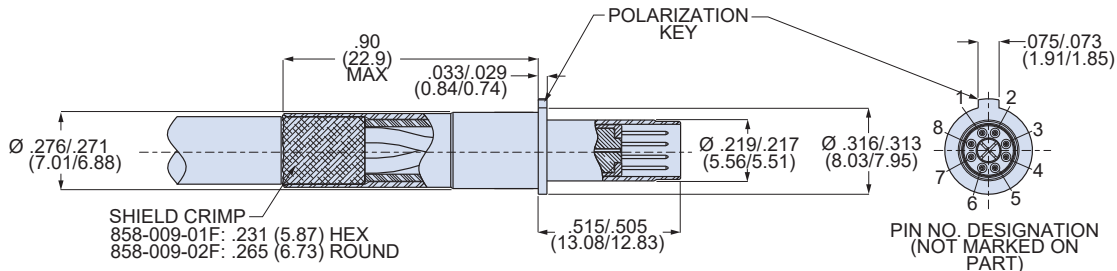


El Ochito® Type II Socket Contact 858-006

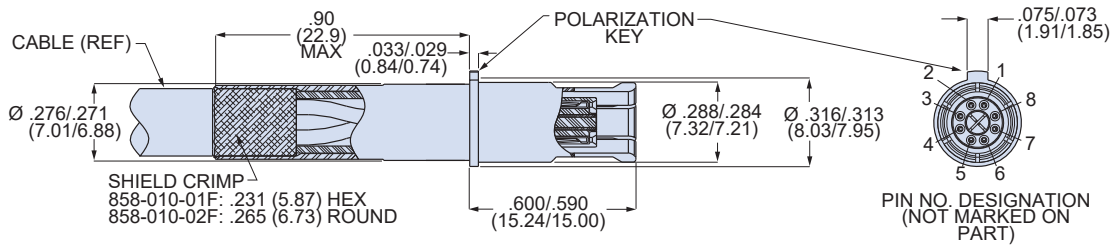


Dimensions

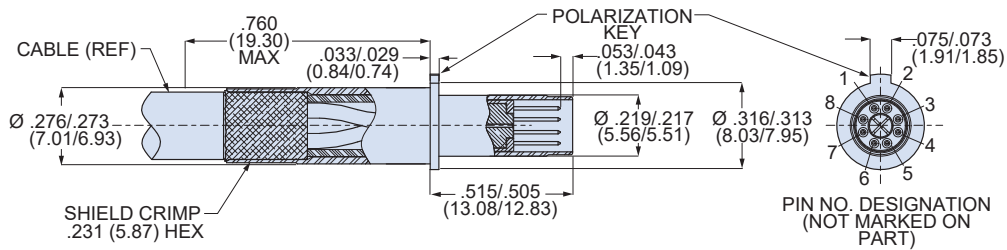
El Ochito® Pin Contact 858-009, 858-038, and 858-039 for ARINC 600 Connectors



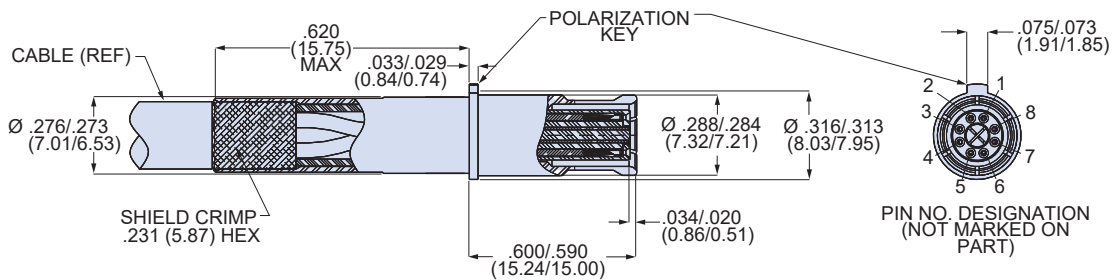
El Ochito® Socket Contact 858-010, 858-035 and 858-037 for ARINC 600 Connectors



El Ochito® Pin Contact 858-014 for EPXB Connectors



El Ochito® Socket Contact 858-015 for EPXB Connectors



El Ochito® Socket Contact 858-032, 858-040 and 858-041 for Series 792 Connectors

