

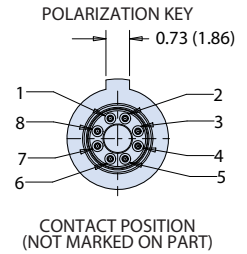
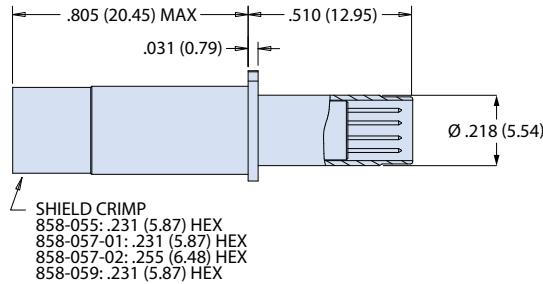
Dimensions: EN3545 Contacts

EL OCHITO[®] CONTACT DIMENSIONS

El Ochito[®] Type I, Pin and Socket Contacts for EN3545

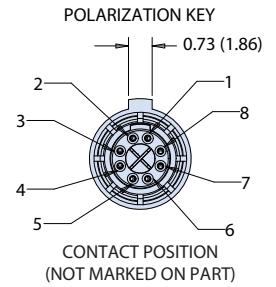
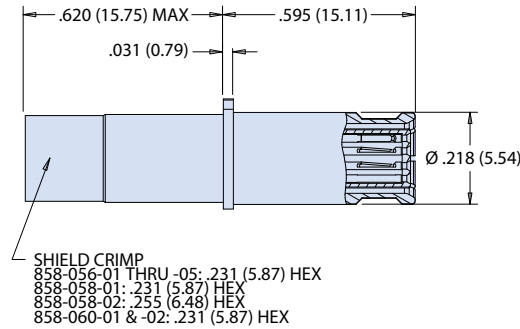
Pin Contact

Type I	
Color	Pin
White	858-055
Blue	858-057
Red	858-059



Socket Contact

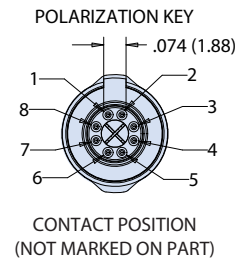
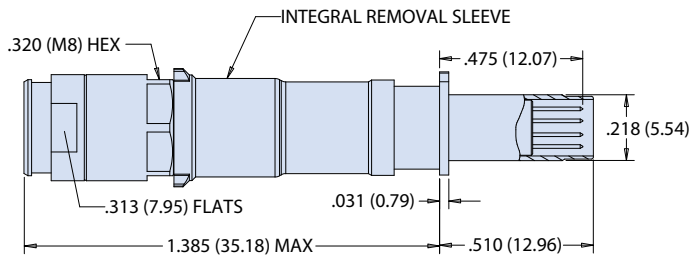
Type I	
Color	Socket
White	858-056
Blue	858-058
Red	858-060



El Ochito[®] Type II, Pin and Socket Contacts for EN3545

Pin Contact

Type II	
Color	Pin
White	858-061



Socket Contact

Type II	
Color	Socket
White	858-062

