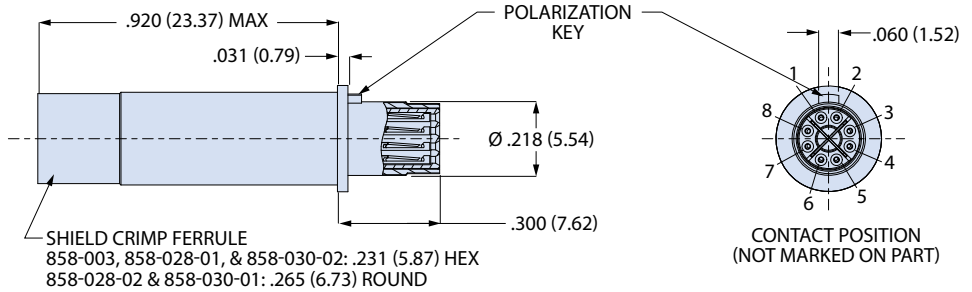


Dimensions: Series 23 SuperNine, Series 28 HiPer-D Contacts

El Ochito[®] Type I, Pin and Socket Contacts for Series 23 SuperNine and Series 28 HiPer-D

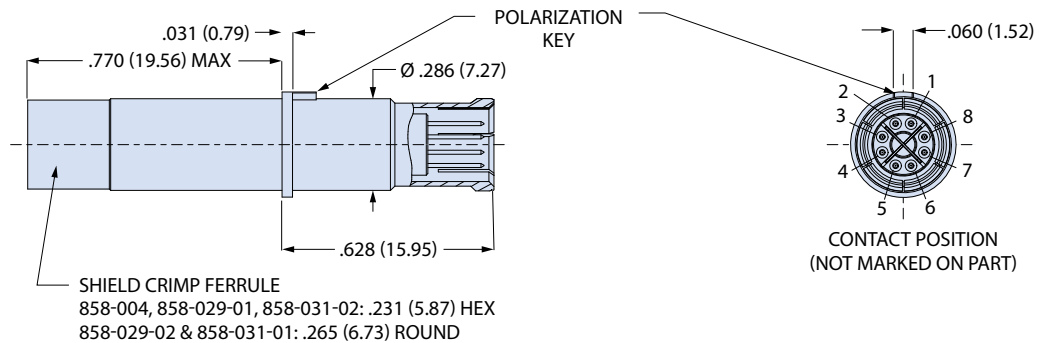
Pin Contact

Type I	
Color	Pin
White	858-003
Blue	858-028
Red	858-030



Socket Contact

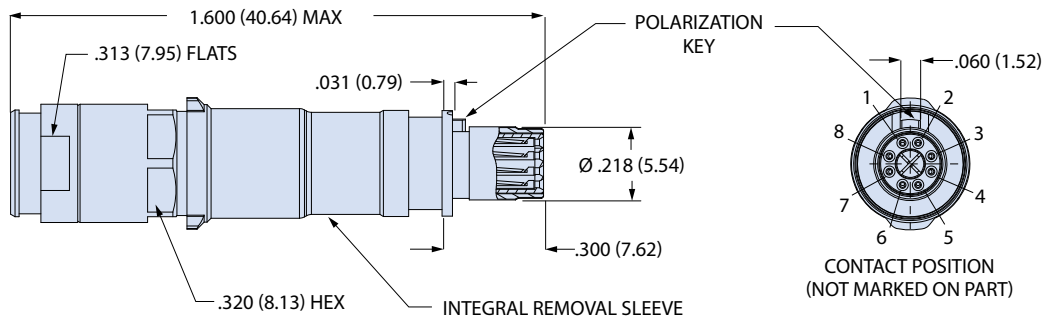
Type I	
Color	Socket
White	858-004
Blue	858-029
Red	858-031



El Ochito[®] Type II, Pin and Socket Contacts for Series 23 SuperNine and Series 28 HiPer-D

Pin Contact

Type II	
Color	Pin
White	858-005
Blue	858-069
Red	858-063



Socket Contact

Type II	
Color	Socket
White	858-006
Blue	858-070
Red	858-064

