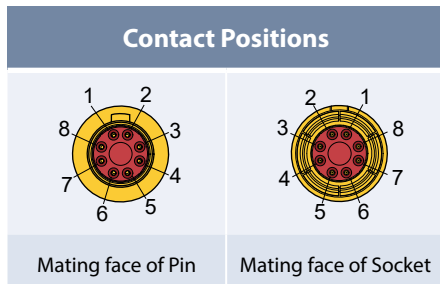


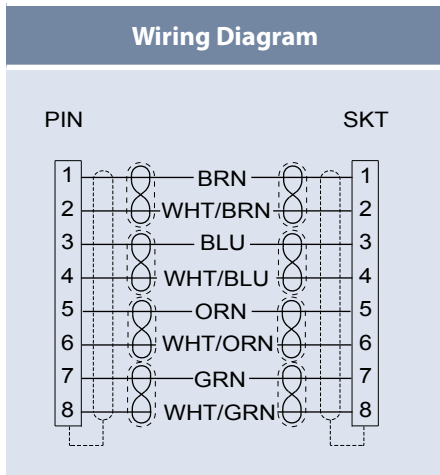
El Ochito® Red Pin-Socket Cable Assembly 8573-0002



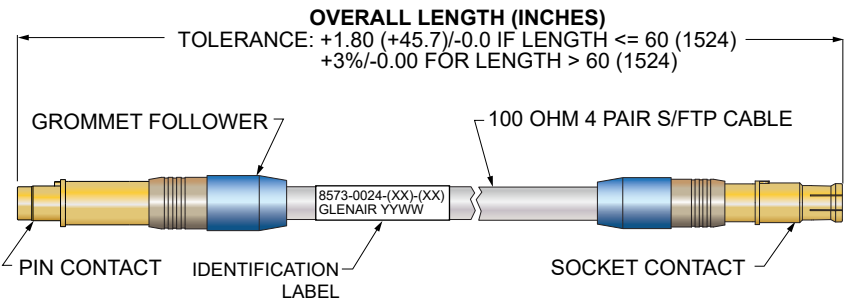
El Ochito® Red for Multi-Gigabit 100 Ohm Datalinks, pin contact mating face



Technical Data
<ul style="list-style-type: none"> Refer to individual contact data sheets for construction details 100% tested for shorts, continuity and IR
<ul style="list-style-type: none"> Operating temp.: -65° to +175°C Impedance: 100 ohms DWV: 300 Vrms Current Rating: 1.5 A IR: 10 megohms min. Durability: 500 mating cycles



Save assembly time and cost with pre-wired, 100% tested El Ochito® Red assemblies for datalinks up to 1Gbps per pair. These pin-to-socket cables have El Ochito® Red contacts terminated to high performance flight-grade 100 ohm shielded twisted pair cable. Supplied with cable grommet follower. Compatible with Glenair Series 23, Series 28, Series 792, Series 816, Series 806 and ARINC 600 connectors. Designed to meet the requirements of MIL-DTL-38999 and SAE AS39029. *El Ochito® contacts must be installed in keyed connectors before mating to prevent misalignment and contact damage.*



Pre-Wired El Ochito® Red Pin-Socket Cable Assemblies			
Sample Part Number→	8573-0002	-01	-48
Product	8573-0002 = Pre-wired El Ochito® Red Pin-to-Socket Assemblies.		
El Ochito® Contact P/N	See Table 1		
Length	Length in Inches (12 inch minimum)		

Table 1 Order Code					
Connector Type	Order Code	Pin Contact Part No.	Skt Contact Part No.	Bandwidth Per Pair	Cable
Series 23 Series 28	01	858-030-02F	858-031-02F	up to 1 Gbps	963-033-26 26 AWG
ARINC 600	02	858-039-01	858-037-01	up to 1 Gbps	963-033-26 26 AWG
Series 792 Series 806 Series 816	03	858-049-01F	858-050-01F	up to 1 Gbps	963-033-26 26 AWG

ELOCHITO® JUMPERS