

El Ochito[®] Jumper Cable Mating Adapters

JUMPER MATING ADAPTERS



Pin Contact

Socket Contact

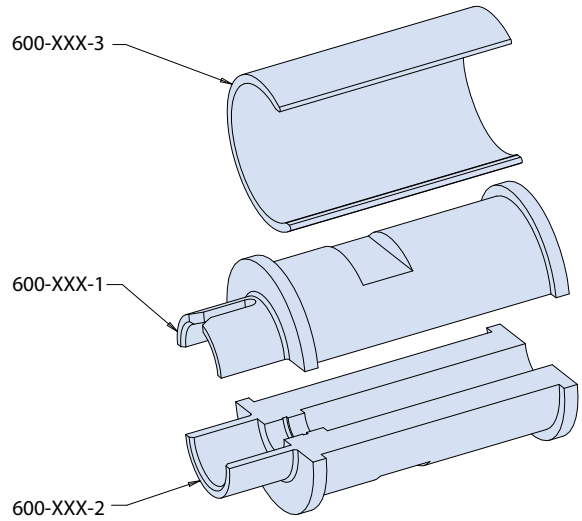
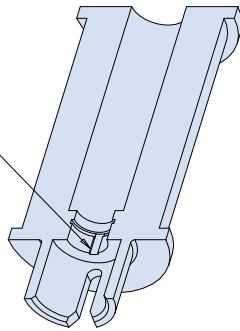
Safely test and mate El Ochito contacts prior to installing them into a connector. Ideal for testing dielectric withstanding voltage (DWV), insulation resistance (IR), and conducting continuity and performance checks during assembly of jumpers. Adapters are made of a rigid dielectric and composed of three individual components designed to safely protect against damage and misalignment.

El Ochito Jumper Mating Adapters		
Connector Series	Pin Tool	Socket Tool
SuperNine (Series 23), HiPer-D (Series 28)	600-263	600-264
Series 806, 816, 792	600-267	600-264
ARINC 600, EPXB, EN3545	600-265	600-266

El Ochito Socket Adapter



ALIGN MAIN KEY OF EL OCHITO WITH KEYWAY OF 600-XXX-1



El Ochito Pin Adapter



ALIGN MAIN KEY OF EL OCHITO WITH KEYWAY OF 600-XXX-1

