



SERIES 77 Metal Shrink Boot Adapters

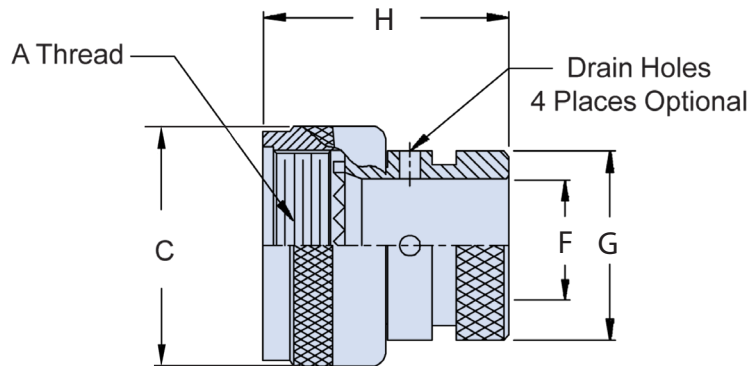
AS85049/62 and MS38999/2 Series 310 Straight Adapter



Connector Designator:	
F	MIL-DTL-38999 Series I & II, 40M38277, PAN 6433-1, PATT 614, PATT 616, NFC93422 Series HE308 & HE309

How to Order				
Sample Part Number	M85049/62	-10	W	D
Basic Part Number	M85049/62			
Dash No	see dimensions table			
Finish	A = black anodize N = electroless nickel W = 500 hour cadmium olive drab over electroless nickel			
Drain Hole	D = drain hole Omit for none			

Order Boot Separately



NOTES

1. For complete dimensions see the applicable Military Specification.
2. Recovered dimension apply to unrestricted recovery. Dimensions may differ than shown when boots are installed over assembly.
3. Recovered dimension apply to unrestricted recovery. Dimensions may differ than shown when boots are installed over assembly.

Dimensions					
Dash No.	A Thread Class 2B	C Max	F Dia Min	G Dia Max	H Max
08	.438 - 28 UNEF	.750 (19.1)	.250 (6.4)	.533 (13.5)	1.000 (25.4)
10	.562 - 24 UNEF	.850 (21.6)	.375 (9.5)	.605 (15.4)	1.000 (25.4)
12	.688 - 24 UNEF	1.000 (25.4)	.500 (12.7)	.774 (19.7)	1.000 (25.4)
14	.813 - 20 UNEF	1.100 (27.9)	.625 (15.9)	.838 (21.3)	1.000 (25.4)
16	.938 - 20 UNEF	1.250 (31.8)	.750 (19.1)	.963 (24.5)	1.000 (25.4)
18	1.063 - 18 UNEF	1.400 (35.6)	.812 (20.6)	1.042 (26.5)	1.000 (25.4)
20	1.188 - 18 UNEF	1.500 (38.1)	.937 (23.8)	1.217 (30.9)	1.000 (25.4)
22	1.313 - 18 UNEF	1.650 (41.9)	1.062 (27.0)	1.355 (34.4)	1.000 (25.4)
24	1.438 - 18 UNEF	1.750 (44.5)	1.188 (30.2)	1.443 (36.7)	1.000 (25.4)