



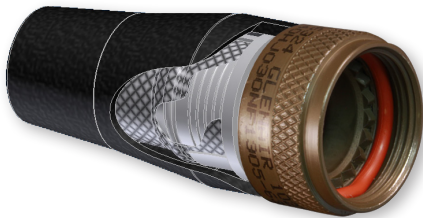
SERIES 77

Piggyback Boot Adapters/Backshells



319-216 EMI/RFI Metal Backshell with Pre-installed Shield and Shrink Boot - How to Order

How to Order	
Sample Part Number	319 H S 216 NF 19 06 B 2 -4
Product Series	319 = backshell
Connector Designator	A = MIL-DTL-83723, Series III F = MIL-DTL-38999, Series I & II H = MIL-DTL-38999, Series III & IV
Angular Function	S = Straight H = 45° J = 90°
Basic Number	216
Finish Symbol	M = Electroless nickel MT = Nickel-PTFE NF = Cadmium/O.D. over electroless nickel (500 hours salt spray) ZR = Zinc-nickel, black over electroless nickel
Shell Size	See dimensions table
Dash Number	See dash number table
Braid Option	See braid table
Boot Material	1 = Type 1 2 = Type 2 3 = Type 3; see boot material table
Length (S Only)	1/2 inch increments: e.g. 4 = 2 inches; Minimum order length is 1.5 inches for style I and 2.0 inches for style II



Boot Material Selection Guide			
Attribute	Type 1	Type 2	Type 3
	High-Performance Semi-Rigid Elastomer	Zero-Halogen Semi-Rigid Polyolefin	General Purpose Flexible Polyolefin
Continuous Operating Temp.	-75° to +150° c	-40° to +130° c	-55° to +135° c
Resistance To Fuels, Oils	Excellent	Very Good	Good
Low Toxicity, Zero Halogen	No	Yes	No

Braid	
Symbol	Braid Type
A	100% AmberStrand®
B	75%/25% AmberStrand® Blend
-	Nickel/Copper 34 AWG
T	Tin/Copper 34 AWG
L	Armorlite™

Dash Number				
Dash No.	Cable Entry	L Max	M Min	N Max
03	.188 (4.78)	.693 (17.60)	.188 (4.78)	.079 (2.01)
04	.250 (6.35)	1.082 (27.48)	.250 (6.35)	.118 (3.00)
05	.312 (7.92)	1.646 (41.81)	.312 (7.92)	.197 (5.00)
06	.375 (9.52)	1.646 (41.81)	.375 (9.52)	.197 (5.00)
07	.438 (11.13)	1.646 (41.81)	.438 (11.13)	.197 (5.00)
08	.500 (12.70)	2.382 (60.50)	.500 (12.70)	.236 (5.99)
10	.625 (15.88)	2.382 (60.50)	.625 (15.88)	.236 (5.99)
12	.750 (19.05)	2.902 (73.71)	.750 (19.05)	.276 (7.01)
14	.875 (22.23)	3.465 (88.01)	.875 (22.23)	.335 (8.51)
16	1.000 (25.40)	3.465 (88.01)	1.000 (25.40)	.335 (8.51)
18	1.125 (28.58)	3.464 (87.99)	1.125 (28.58)	.335 (8.51)
20	1.250 (31.75)	4.288 (108.92)	1.250 (31.75)	.394 (10.01)
24	1.500 (38.10)	4.288 (108.92)	1.500 (38.10)	.394 (10.01)
28	1.750 (44.45)	5.630 (143.00)	1.750 (44.45)	.591 (15.01)
32	2.000 (50.80)	5.630 (143.00)	2.000 (50.80)	.591 (15.01)

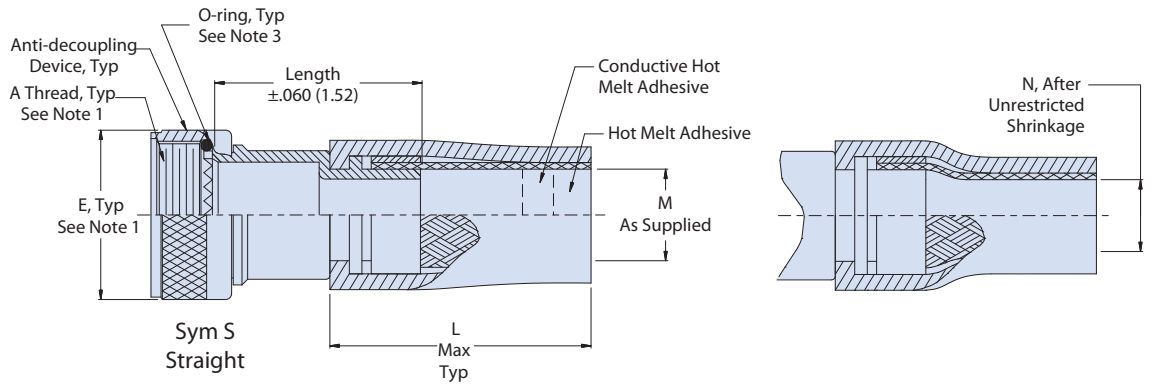


SERIES 77

Piggyback Boot Adapters/Backshells



319-216 EMI/RFI Metal Backshell with Pre-installed Shield and Shrink Boot - Dimensions

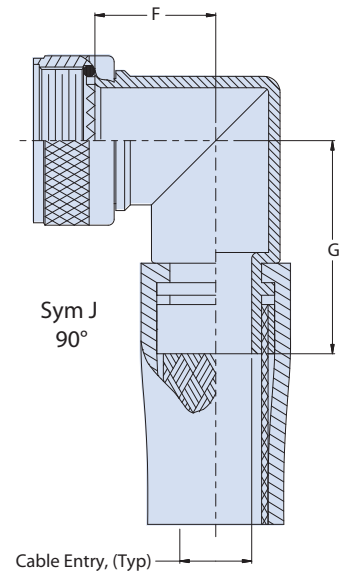
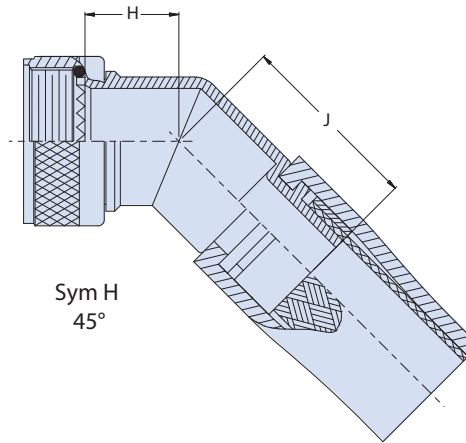


NOTES

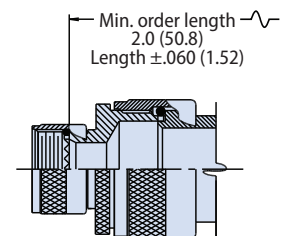
1. See Table I on Page H-3 for connector designator interface dimensions
2. Glenair 600 series backshell assembly tools are recommended for assembly and installation.
3. O-ring not supplied with connector designator A
4. When max entry is exceeded, style II will be supplied. Dimensions F, G, H and J will not apply
5. Recovered dimension apply to unrestricted recovery. Dimensions may differ than shown when boots are installed over assembly.

Material and Finish

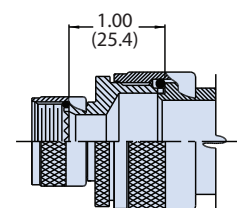
- Elbow, adapter, and coupling nut: aluminum alloy/see how to order table
- Boot: see boot material table
- Braid: see braid table
- O-ring: silicone/N.A.
- Anti-decoupling device: corrosion resistant material



Dimensions					
Shell Size by Designator		F	G	H	J
A, F	H	Max	Max	Max	Max
08	09	1.096 (27.8)	1.155 (29.3)	.986 (25.0)	1.045 (26.5)
10	11	1.166 (29.6)	1.225 (31.1)	1.016 (25.8)	1.075 (27.3)
12	13	1.226 (31.1)	1.285 (32.6)	1.038 (26.4)	1.097 (27.9)
14	15	1.286 (32.7)	1.345 (34.2)	1.056 (26.8)	1.125 (28.6)
16	17	1.346 (34.2)	1.405 (35.7)	1.066 (27.1)	1.145 (29.1)
18	19	1.396 (35.5)	1.455 (37.0)	1.106 (28.1)	1.165 (29.6)
20	21	1.466 (37.2)	1.525 (38.7)	1.136 (28.9)	1.195 (30.4)
22	23	1.516 (38.5)	1.575 (40.0)	1.156 (29.4)	1.215 (30.9)
24	25	1.586 (40.3)	1.645 (41.8)	1.186 (30.1)	1.245 (31.6)



STYLE II - STRAIGHT ONLY



STYLE II - 45° & 90°