

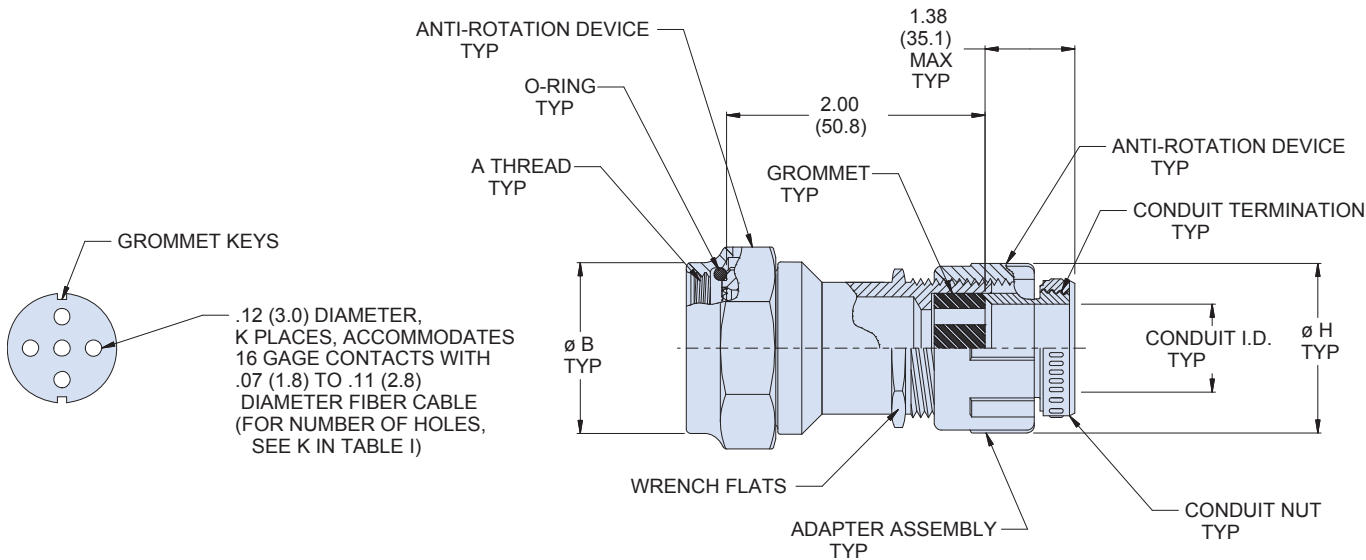
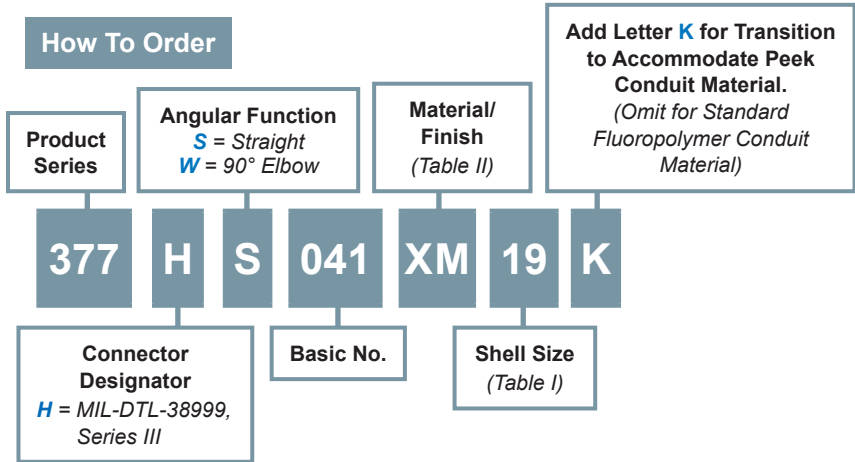


377-041
Composite FiberCon® Conduit Adapter
for Fiber Optic MIL-DTL-38999 Series III Connectors

D38999
Series III

B

MIL-DTL-38999 Series III conduit adapter



Material and Plating

Adapters, Elbow, Ferrules: Hi-grade engineering thermoplastic/see table II
Coupling Nut & Gland Nut: Hi-grade engineering thermoplastic/unplated
Grommet, O-Ring: Fluorosilicone
Anti-Rotation Device: Corrosion resistant material

Notes

Glenair 600 Series Backshell assembly tools are recommended for assembly and installation.
Conduit I.D. accommodates Glenair Series 74, Type A Convuluted Tubing, in accordance with MIL-T-81914.
For Sealing Plugs, see Glenair drawing 687-142.

377-041
Composite FiberCon® Conduit Adapter
for Fiber Optic MIL-DTL-38999 Series III Connectors



MIL-DTL-38999
 Series III Type

B

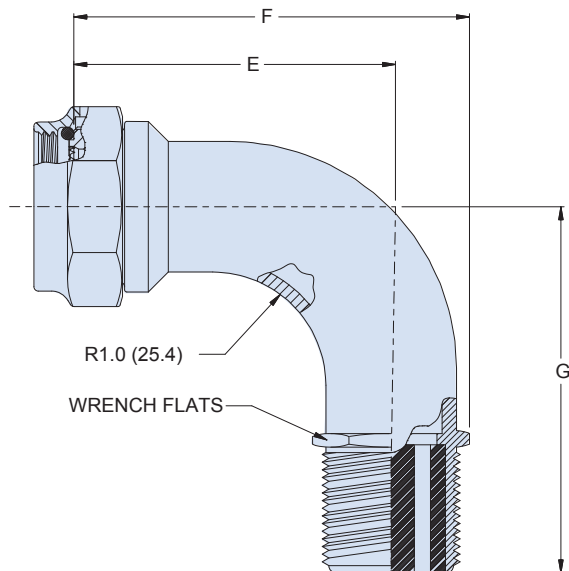


Table I

Shell Size	A Thread	Ø B Max	E ±.06 (1.5)	F ±.09 (2.3)	G ±.06 (1.5)	Ø H Max	Ø J Ref	K (# Of Holes)
11	M15 X 1 - 6H	.770 (19.6)	1.70 (43.2)	2.39 (60.7)	1.90 (48.3)	1.41 (35.8)	.25 (6.4)	2
13	M18 X 1 - 6H	.890 (22.6)	1.78 (45.2)	2.47 (62.7)	1.96 (49.8)	1.41 (35.8)	.31 (7.9)	4
15	M22 X 1 - 6H	1.03 (26.2)	1.82 (46.2)	2.51 (63.8)	2.02 (51.3)	1.41 (35.8)	.31 (7.9)	5
17	M25 X 1 - 6H	1.15 (29.2)	1.89 (48.0)	2.70 (68.6)	2.09 (53.1)	1.64 (41.7)	.44 (11.2)	8
19	M28 X 1 - 6H	1.28 (32.5)	1.93 (49.0)	2.74 (69.6)	2.13 (54.1)	1.64 (41.7)	.50 (12.7)	11
21	M31 X 1 - 6H	1.41 (35.8)	2.00 (50.8)	2.94 (74.7)	2.19 (55.6)	1.89 (48.0)	.50 (12.7)	16
23	M34 X 1 - 6H	1.53 (38.9)	2.08 (52.8)	3.02 (76.7)	2.25 (57.2)	1.89 (48.0)	.63 (16.0)	21
25	M37 X 1 - 6H	1.66 (42.2)	2.14 (54.4)	3.20 (81.3)	2.32 (58.9)	2.16 (54.9)	.75 (19.1)	29

Table II: Material and Finish

Code	Material	Finish Description	Components
XB	Composite	No Plating - Black Color	Elbow, Adapter, Coupling Nut and RFI Nut
XM		1000 Hr. Corrosion-Resistant Electroless Nickel	Adapter and RFI Nut
XW		1000 Hr. Corrosion-Resistant Cadmium Olive Drab over Electroless Nickel	Adapter and RFI Nut
XV		No Plating - Purple or Black Color (mfg. option)	Straight Body and Rear Adapter
		No Plating - Purple Color	Elbow Body, Coupling Nut, and Rear Nut

Refer to Appendix for material/finish details