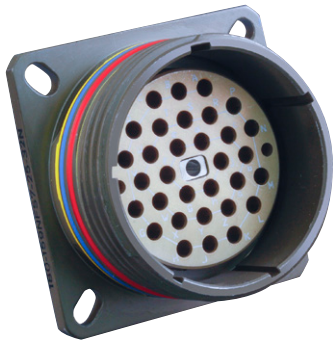


# SUPERNINE MIL-DTL-38999 SERIES III TYPE ARINC 801 Optical Termini and Connectors



## 180-159 (S7) Wall Mount Receptacle, Slotted Holes

ARINC 801



**Tight-tolerance MIL-DTL-38999 Series III type Wall Mount Receptacles, Slotted Holes.** Compatible with Size 16 snap-in, rear-release ARINC 801 genderless termini (Glenair series 181-076). Precision-machined insert ensures optimum optical fiber alignment and low dB data loss performance. Triple-start stub ACME threads for fast mating and robust anti-decoupling. The ARINC 801 fiber optic system leverages D38999 mechanical and environmental design elements including mating interface, accessory attachment interface, ratcheting coupling nut, polarization keyways, O-ring seals, panel cutouts, and more. Connector shell materials include aluminum alloy, composite thermoplastic, stainless steel, and marine bronze. Keyed polarization for mis-mate protection. Available insert arrangements support from two to 32 singlemode and multimode termini.

### MATERIAL/FINISH NOTES

- Inserts for composite connector:  
Composite or Al Alloy – MFR's Option
- Seals: Fluorosilicone
- Hardware:  
Stainless steel / passivate

### HOW TO ORDER

<b>Sample Part Number</b>	<b>180-159</b>	<b>NF</b>	<b>S7</b>	<b>-17-8</b>	<b>N</b>
<b>Fiber Optic connector</b>	ARINC 801, MIL-DTL-38999 Series III Type				
<b>Material/Finish Code</b>	See Material and Finish table				
<b>Connector Style, Receptacles</b>	<b>S7</b> = Wall Mount Receptacle with Slotted Holes				
<b>Shell Size - Insert Arrangement</b>	See Shell Size / Contact Arrangements table				
<b>Alternate Key Position</b>	per MIL-DTL-38999 Series III. <b>A, B, C, D, E, N</b> = Normal, omit for universal key				

### SHELL SIZE / CONTACT ARRANGEMENTS (FACE OF RECEPTACLE INSERT)

<b>11-2</b>	<b>13-4</b>	<b>15-6</b>	<b>17-8</b>
<b>19-12</b>	<b>21-16</b>	<b>23-24</b>	<b>25-32</b>

▼ = Master Key

### MATERIAL AND FINISH

Code	Material	Finish Description
<b>ME</b>	Aluminum	Electroless Nickel
<b>MT</b>		Nickel-PTFE, Gray
<b>NF</b>		Cadmium, Olive Drab
<b>TZ</b>		Tin-Zinc, Bronze-Gold
<b>ZN</b>		Zinc-Nickel, Olive Drab
<b>ZR</b>		Zinc-Nickel, Black (RoHS)
<b>XM</b>	Composite	Electroless Nickel
<b>XMT</b>		Nickel - PTFE, Grey
<b>XW</b>		Cadmium, Olive Drab
<b>XZN</b>		Zinc-Nickel, Black
<b>MS</b>	Stainless Steel	Electroless Nickel
<b>ZL</b>		Electro-Deposited Nickel
<b>ZI</b>		Passivate
<b>AB</b>	Marine Bronze	De-Grease / No Plating

### NOTES

- Universal connectors are intended for use in testing facilities only and should be highly evaluated before consideration in another environment.
- Receptacle connector with universal key polarization contains all key way polarizations (A, B, C, D, E, N) which may have overlap in adjacent minor key ways.
- Plug connector with universal polarization contains master key only.
- Blue color band indicates rear release retention system.
- For dummy terminus, see Glenair 181-128.
- Insert/extraction tool: 809-131 (M81969/14-03).

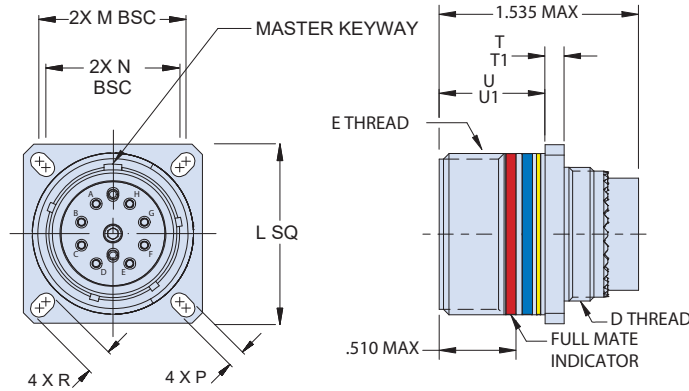
# SUPERNINE MIL-DTL-38999 SERIES III TYPE ARINC 801 Optical Termini and Connectors



## 180-159 (S7) Wall Mount Receptacle, Slotted Holes

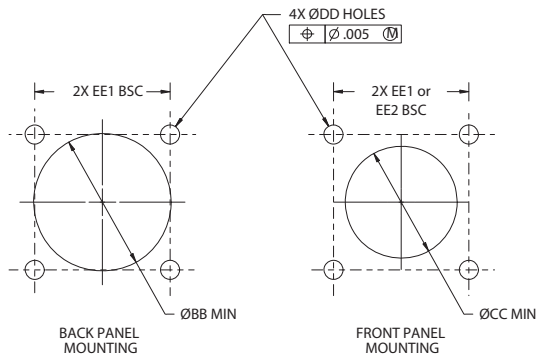
ARINC 801

### WALL MOUNT WITH SLOTTED HOLES - DIMENSIONS



Shell Code	Shell Size	E Thread	L Sq	M Bsc	N Bsc	P	R	T	T1 (Composite)	U	U1 (Composite)	D Thread						
<b>B</b>	11	.7500-.1P-.3L-TS-2A	1.043 (26.49) 1.019 (25.88)	.812 (20.62)	.719 (18.26)	0.136 (3.45) 0.120 (3.05)	.202 (5.13) .186 (4.72)	.098 (2.49) .083 (2.11)	.144 (3.66) .083 (2.11)	.820 (20.83) .771 (19.58)	.823 (20.90) .768 (19.51)	M15 X 1.0-6g 0.100R						
<b>C</b>	13	.8750-.1P-.3L-TS-2A	1.138 (28.91) 1.114 (28.30)	.906 (23.01)	.812 (20.62)												M18 X 1.0-6g 0.100R	
<b>D</b>	15	1.0000-.1P-.3L-TS-2A	1.232 (31.29) 1.208 (30.68)	.969 (24.61)	.906 (23.01)							.181 (4.60) .165 (4.19)					M22 X 1.0-6g 0.100R	
<b>E</b>	17	1.1875-.1P-.3L-TS-2A	1.323 (33.60) 1.299 (32.99)	1.062 (26.97)	.969 (24.61)							.202 (5.13) .186 (4.72)					M25 X 1.0-6g 0.100R	
<b>F</b>	19	1.2500-.1P-.3L-TS-2A	1.449 (36.80) 1.425 (36.20)	1.156 (29.36)	1.062 (26.97)												M28 X 1.0-6g 0.100R	
<b>G</b>	21	1.3750-.1P-.3L-TS-2A	1.575 (40.00) 1.551 (39.40)	1.250 (31.75)	1.156 (29.36)	0.162 (4.11) 0.146 (3.71)	.250 (6.35) .234 (5.94)	.126 (3.20) .083 (2.11)	.171 (4.34) .083 (2.11)	.790 (20.07) .741 (18.82)	.791 (20.09) .736 (18.69)	M31 X 1.0-6g 0.100R						
<b>H</b>	23	1.5000-.1P-.3L-TS-2A	1.701 (43.21) 1.677 (42.60)	1.375 (34.92)	1.250 (31.75)													M34 X 1.0-6g 0.100R
<b>J</b>	25	1.6250-.1P-.3L-TS-2A	1.823 (46.30) 1.799 (45.69)	1.500 (38.10)	1.375 (34.92)													M37 X 1.0-6g 0.100R

### WALL MOUNT RECEPTACLE WITH SLOTTED HOLES - CUTOUT



Shell Code	Shell Size	Ø BB Min	Ø CC Min	Ø DD Holes	EE1 Bsc	EE2 Bsc*
<b>B</b>	11	.796 (20.22)	.625 (15.88)	.133 (3.38) .123 (3.12)	.812 (20.62)	.719 (18.26)
<b>C</b>	13	.922 (23.42)	.750 (19.05)		.906 (23.01)	.812 (20.62)
<b>D</b>	15	1.047 (26.59)	.906 (23.01)		.969 (24.61)	.906 (23.01)
<b>E</b>	17	1.219 (30.96)	1.016 (25.81)		1.062 (26.97)	.969 (24.61)
<b>F</b>	19	1.297 (32.94)	1.141 (28.98)		1.156 (29.36)	1.062 (26.97)
<b>G</b>	21	1.422 (36.12)	1.266 (32.16)		1.250 (31.75)	1.156 (29.36)
<b>H</b>	23	1.547 (39.29)	1.375 (34.92)	.159 (4.04) .149 (3.78)	1.375 (34.92)	1.250 (31.75)
<b>J</b>	25	1.672 (42.47)	1.484 (37.69)	.155 (3.94) .145 (3.68)	1.500 (38.10)	1.375 (34.92)

\*S7 wall mount receptacle can be front panel mounted using cutout dimension EE1 or EE2.