

FRONT-RELEASE GFR Fiber Optic Connection System



Micro-Miniature Circular 180-132 (07) Wall Mount Receptacle

GFR FRONT-RELEASE SYSTEM



Micro-Miniature Circular GFR Wall Mount Receptacle. Supports from two to twelve GFR pin or socket termini with insertion loss performance comparable to industry-standard MIL-PRF-29504. Precision-machined with O-ring environmental seal. Back-end threads and teeth accept Glenair Mighty Mouse accessories. Available in aluminum and stainless steel. Termini sold separately. Supports single- and dual-O-ring termini.

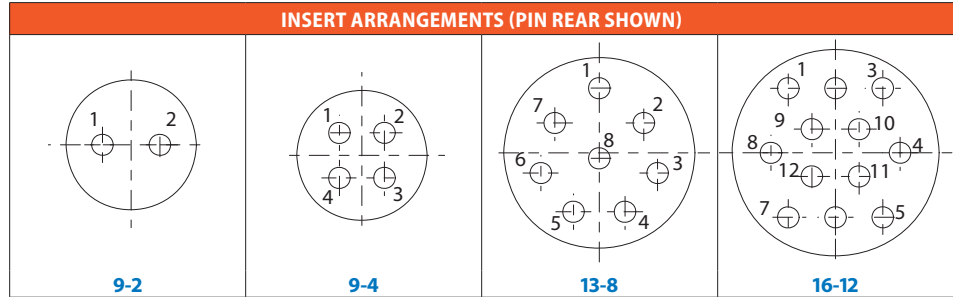
HOW TO ORDER						
Sample Part Number	180-132	M	07	-9-4	P	A
Series	GFR Micro Miniature Circular					
Material / Finish	See Material/Finish table					
Connector Style	07- Wall Mount Receptacle					
Shell Size/Insert Arr.	9-2, 9-4, 13-8, 16-12					
Contact Type	P - Pin Termini S - Socket Termini					
Key Polarization	A, B, C, D (See Key Polarization table). Omit for 9-2 Arrangement which has 2 Keys/Keyways only.					

MATERIAL AND FINISH

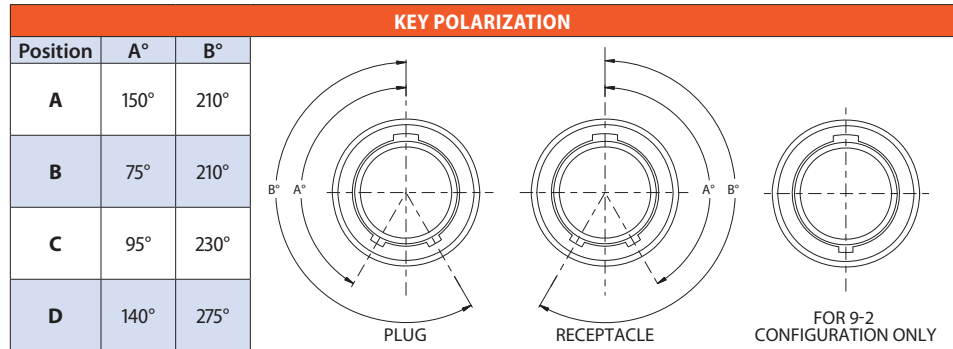
- O-ring: fluorosilicone
- Insulator: Al Alloy / Anodize

NOTES

- Fiber Optic Pin or Socket Termini 181-012/181-011 to be ordered separately

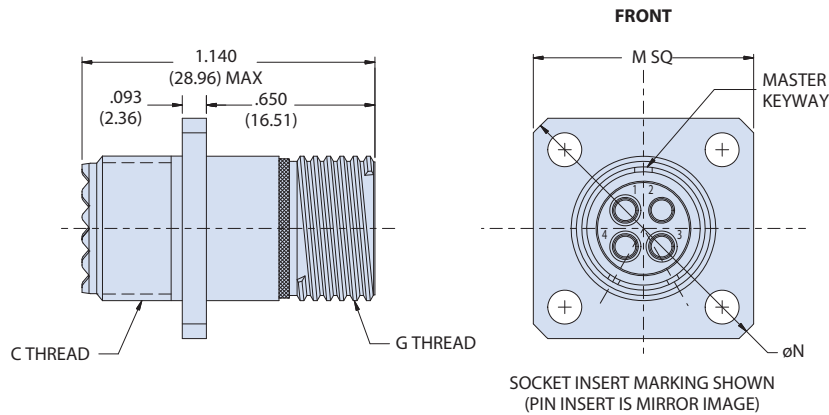


MATERIAL/FINISH		
Code	Material	Finish
C	Aluminum Alloy	Anodize, Black
M		Electroless Nickel
NF		Cadmium, Olive Drab over Electroless Nickel
ZN		Zinc-Nickel, Olive Drab over Electroless Nickel
ZNU		Black Zinc-Nickel over Electroless Nickel
Z1		Stainless Steel



Micro-Miniature Circular
180-132 (07) Wall Mount Receptacle

SHELL SIZE AND DIMENSIONS



Shell Size	M SQ	Ø N	G Thread	C Thread
9	0.850 (21.59)	1.125 (28.58)	.5625-.05P-.1L-2A	.5625-24 UNEF-2A
13	1.030 (26.16)	1.375 (34.92)	.8125-.1P-.2L-2A	.6875-24 UNEF-2A
16	1.219 (30.96)	1.625 (41.28)	1.0000-.1P-.2L-2A	.9375-20 UNEF-2A

GFR FRONT-RELEASE SYSTEM

RECOMMENDED PANEL CUTOUT

Shell Size	Ø S Min	T BSC	Ø U
9	0.580 (14.73)	0.607 (15.42)	0.130 (3.30) 0.126 (3.20)
13	0.835 (21.21)	0.812 (20.62)	
16	1.030 (26.16)	0.981 (24.92)	