

180-122 (06) Plug Connector with Alignment Sleeve Retainer 180-122 (G6) Plug Connector with ASR and EMI/RFI/Ground Spring

Glenair High Density (GHD)

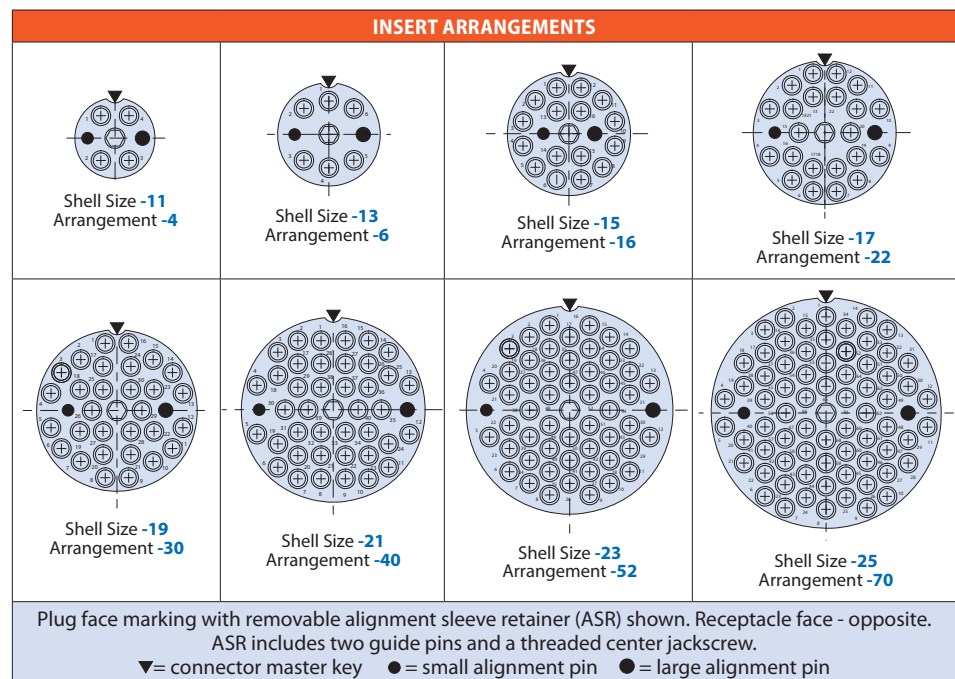


The Series 180-122 Glenair High Density (GHD) fiber optic plug connector is designed for applications that require reduced size and weight as well as outstanding optical and environmental performance. The GHD fiber optic system leverages D38999 mechanical and environmental design elements including mating interface, accessory attachment interface, ratcheting coupling nut, polarization key, panel cutouts, and more. The termini insert, however, has been completely re-engineered with innovative high-density Size 18 genderless front-release terminus design that provides nearly double the density of standard M28876, D38999 and ARINC 801 fiber optic connector series. Keyed GHD system connectors and termini are available with APC Angle Polish to reduce unwanted backreflection. A removable Alignment Sleeve Retainer (ASR) makes for easy termini cleaning and maintenance.

| MATERIAL AND FINISH | | |
|---------------------|-----------------|---------------------------|
| Code | Material | Finish Description |
| M | Aluminum Alloy | Electroless Nickel |
| MA | | Electroless Nickel, Matte |
| MT | | Nickel-PTFE, Gray |
| NF | | Cadmium, Olive Drab |
| TZ | | Tin-Zinc, Bronze-Gold |
| ZNU | | Zinc-Nickel, Black |
| ZR | | Zinc-Nickel, Black (RoHS) |
| XM | Composite | Electroless Nickel |
| XMT | | Nickel - PTFE, Grey |
| XW | | Cadmium, Olive Drab |
| XZN | | Zinc-Nickel, Black |
| ZL | Stainless Steel | Electro-Deposited Nickel |
| ZI | | Passivate |
| AB | Marine Bronze | No Plating |

- MATERIAL / FINISH NOTES**
- Mate composite plugs only with composite receptacles.
 - Coupling nut (for composite plug): high grade rigid dielectric
 - Insert: high-grade rigid dielectric or alloy/anodize - mfr's option.
 - Alignment sleeve retainer (ASR): al alloy/anodize
 - Alignment sleeve: zirconia ceramic
 - Seals: fluorosilicone
 - Recommended extraction tool: 182-011-18
 - Recommended insertion tool for simplex fiber: 182-013
 - Recommended insertion tool for buffered fiber: 182-019

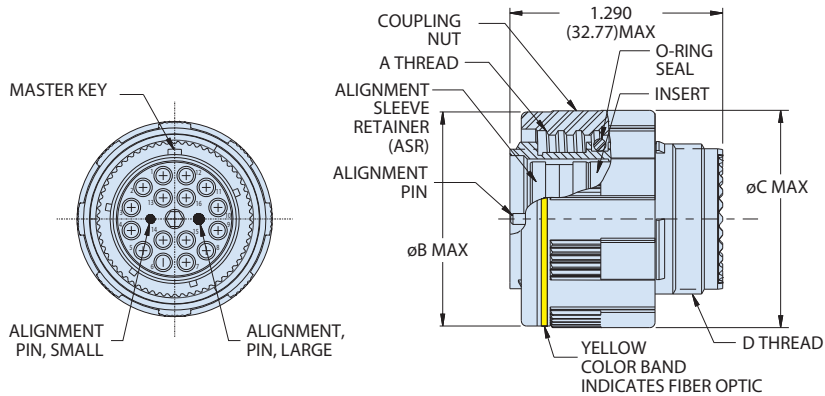
| HOW TO ORDER | |
|-------------------------------|--|
| Sample Part Number | 182-122 NF 06 -15 -16 N C |
| Basic Number | GHD Plug connector with removable alignment sleeve retainer (ASR) |
| Material/Finish | See Material and Finish table |
| Connector Style | 06 = Plug with Alignment Sleeve Retainer (ASR) G6 = Plug Connector with Alignment Sleeve Retainer and EMI/RFI/Ground Spring |
| Shell Size | See Insert Arrangements table |
| Insert Arrangement | See Insert Arrangements table |
| Alternate Key Position | A, B, C, D, E; N = Normal (Per MIL-DTL-38999) |
| O-Ring Option | C = Conductive O-Ring Included (Omit for Standard O-Ring) |



180-122 (06) Plug Connector with Alignment Sleeve Retainer 180-122ASR Plug Alignment Sleeve Retainer

Glenair High Density (GHD)

06 - PLUG WITH ASR



| Shell Size | Shell Size Code | A Thread | Ø B Max | Ø C Max | D Thread |
|------------|-----------------|----------------------|---------------|---------------|---------------------|
| -11 | B | .7500-.1P-.3L-TS-2B | 0.929 (23.60) | 0.984 (24.99) | M15 X 1.0-6g 0.100R |
| -13 | C | .8750-.1P-.3L-TS-2B | 1.110 (28.19) | 1.157 (29.39) | M18 X 1.0-6g 0.100R |
| -15 | D | 1.0000-.1P-.3L-TS-2B | 1.232 (31.29) | 1.280 (32.51) | M22 X 1.0-6g 0.100R |
| -17 | E | 1.1875-.1P-.3L-TS-2B | 1.358 (34.49) | 1.406 (35.71) | M25 X 1.0-6g 0.100R |
| -19 | F | 1.2500-.1P-.3L-TS-2B | 1.469 (37.31) | 1.516 (38.51) | M28 X 1.0-6g 0.100R |
| -21 | G | 1.3750-.1P-.3L-TS-2B | 1.594 (40.49) | 1.642 (41.71) | M31 X 1.0-6g 0.100R |
| -23 | H | 1.5000-.1P-.3L-TS-2B | 1.720 (43.69) | 1.768 (44.91) | M34 X 1.0-6g 0.100R |
| -25 | J | 1.6250-.1P-.3L-TS-2B | 1.843 (46.81) | 1.890 (48.01) | M37 X 1.0-6g 0.100R |



Alignment Sleeve Retainer (ASR)

| HOW TO ORDER | | | | |
|---------------------------|-------------------------------------|-----------|------------|------------|
| Sample Part Number | 182-122 ASR | 06 | -15 | -16 |
| Basic Number | GHD alignment sleeve retainer (ASR) | | | |
| ASR | Alignment Sleeve Retainer | | | |
| Shell Size | See Insert Arrangements table | | | |
| Insert Arrangement | See Insert Arrangements table | | | |

SHELL SIZE 15 ARRANGEMENT 16 SHOWN

