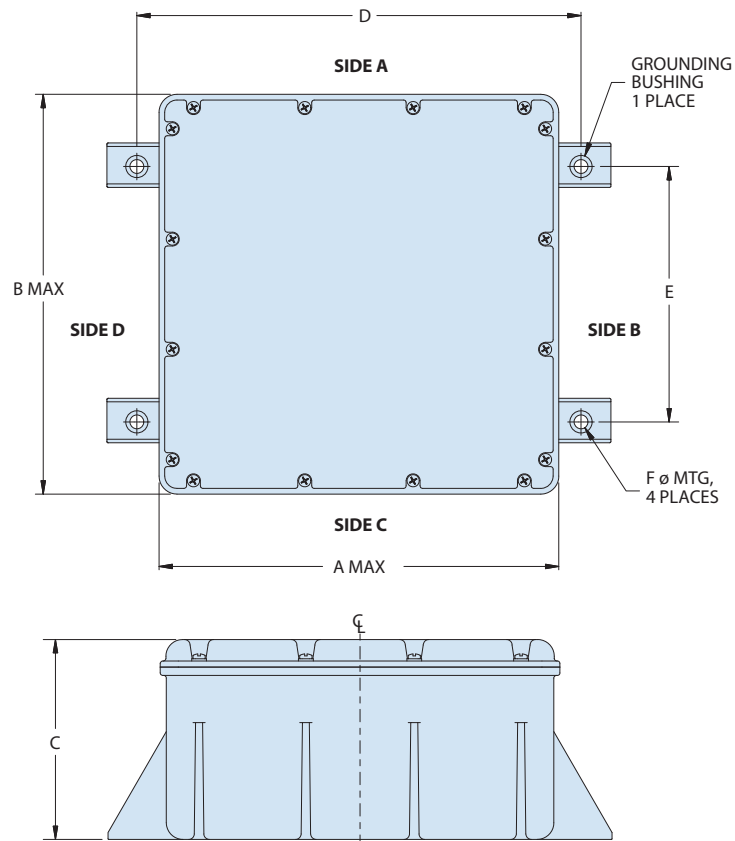


147-012 Composite Enclosure Assembly

HOW TO ORDER				
Sample Part Number	147-012	XMS	40	00
Series	147-012= Composite Enclosure Assembly			
Material/Finish	XM = Electroless Nickel XO = No Plating, Black Color XZN = Zink Nickel, Color Black XMS = Electroless Nickel, Internal No Plating External			
Junction Box Size	30 = Large Junction Box 40 = Low Profile Medium Box			
Internal Component Option	00 = Basic Box With Base Plate 687-305- [*] 01 = Basic Box With Base Plate Terminal Blocks & Adapters 02, 03, 04 = Basic Box With Base Plate Terminal Blocks & Adapters			

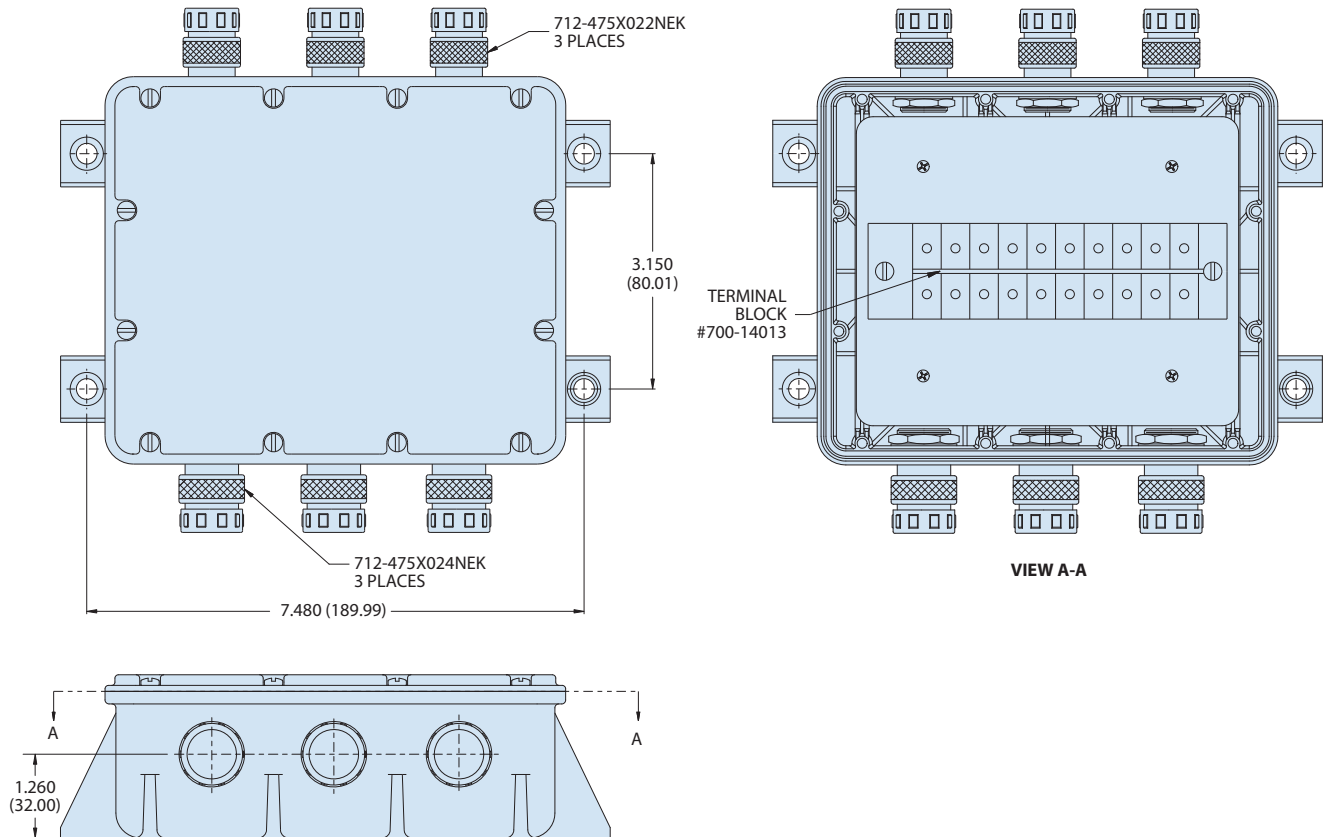
NOTES

- Assembly identified with manufacturer's name, P/N. Space permitting.
- Connectors terminated with MIL-W-16878 type E gage wire and lugs



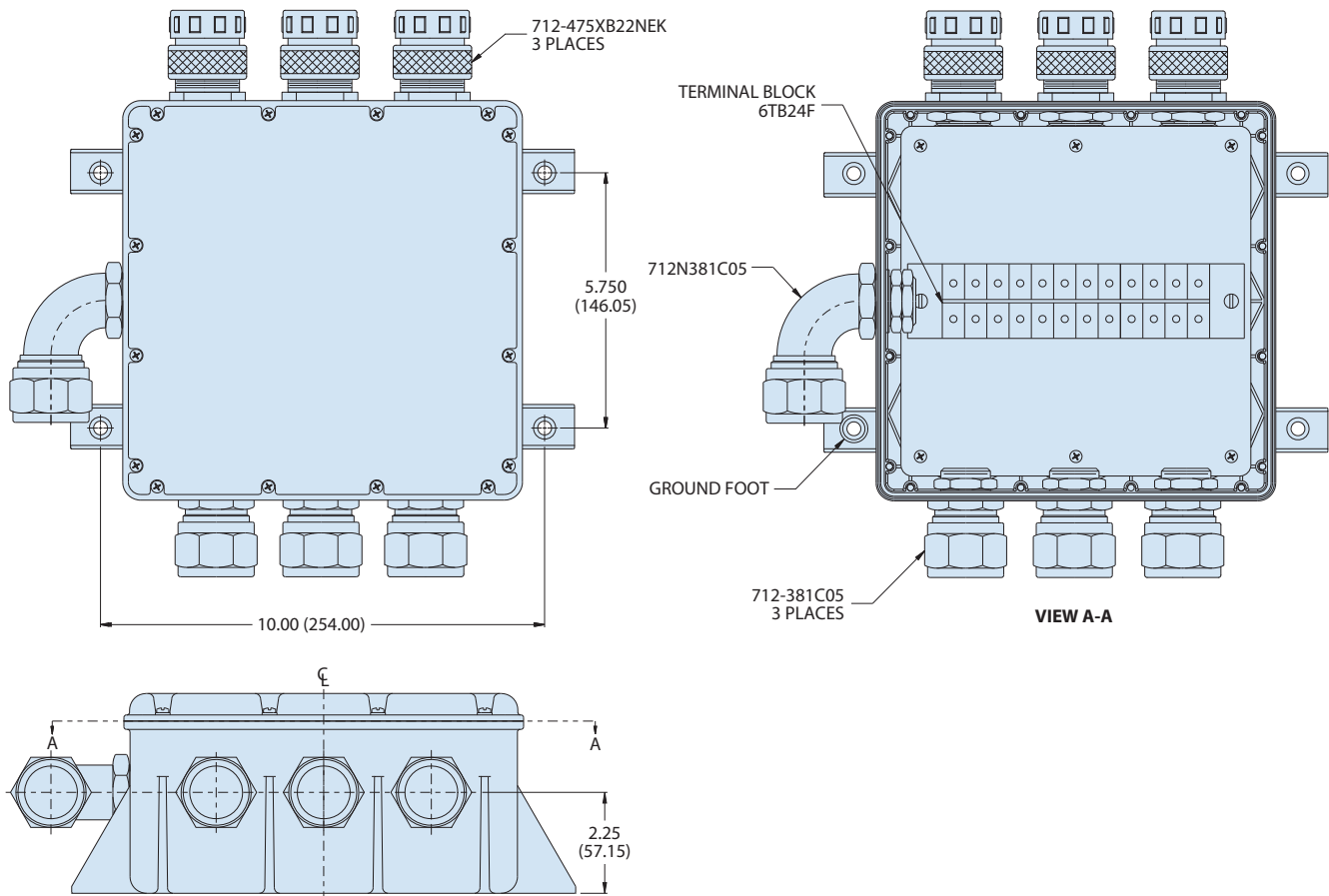
FIBER OPTICS Junction Box Capability

147-012 Composite Enclosure Assembly



DASH #4001 CONFIGURATION (LOW PROFILE BOX)						
Dash No.	A	B	C	D	E	F
4001	6.93 (176.0)	5.83 (148.1)	2.44 (62.0)	7.48 (190.0)	3.45 (89.9)	.312 (7.92)

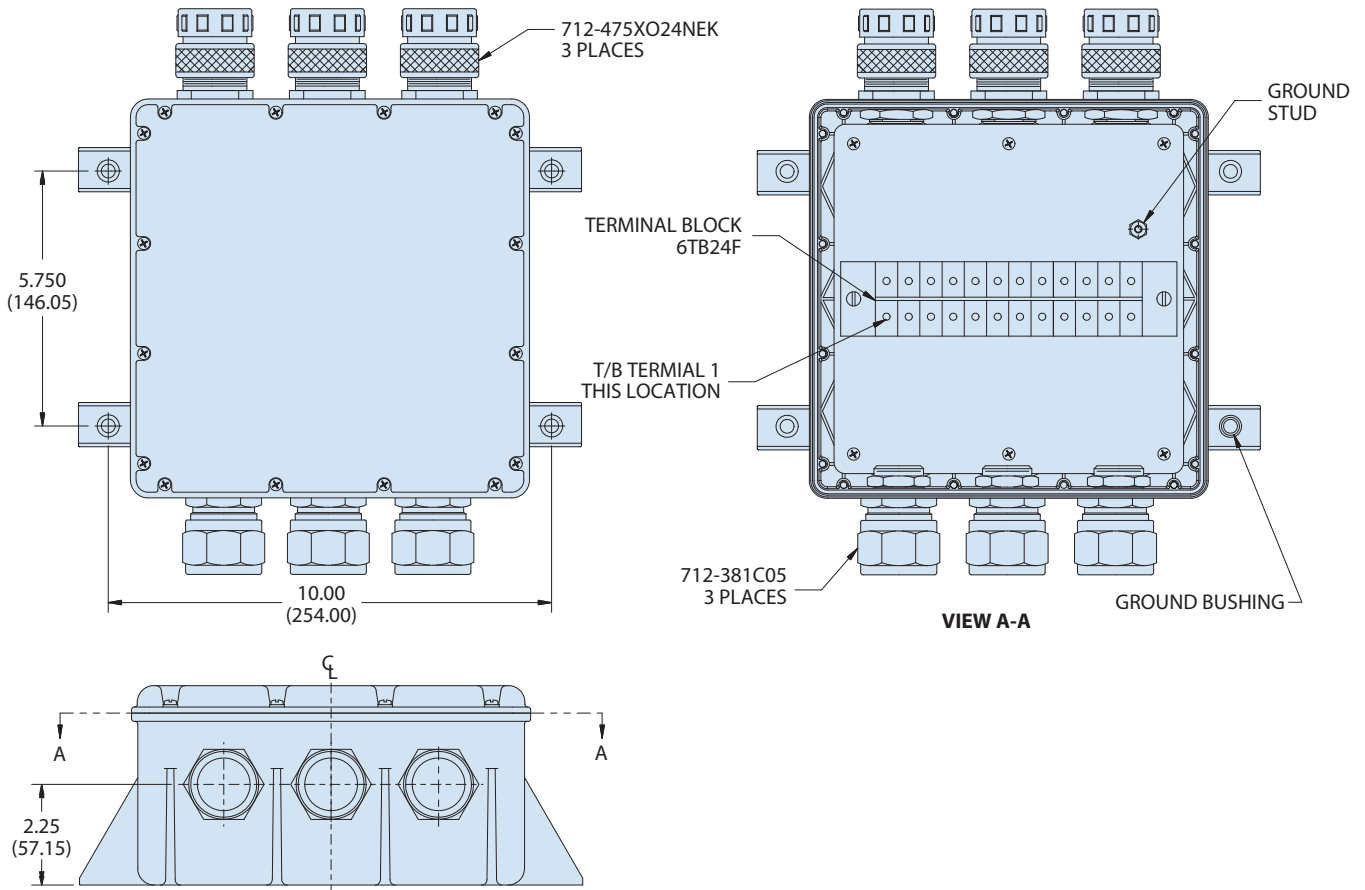
147-012 Composite Enclosure Assembly



DASH #3001A CONFIGURATION (LARGE JUNCTION BOX)						
Dash No.	A	B	C	D	E	F
3001A	9.100 (231.1)	9.100 (231.1)	4.500 (114.3)	10.00 (254.0)	5.750 (146.1)	.312 (7.92)

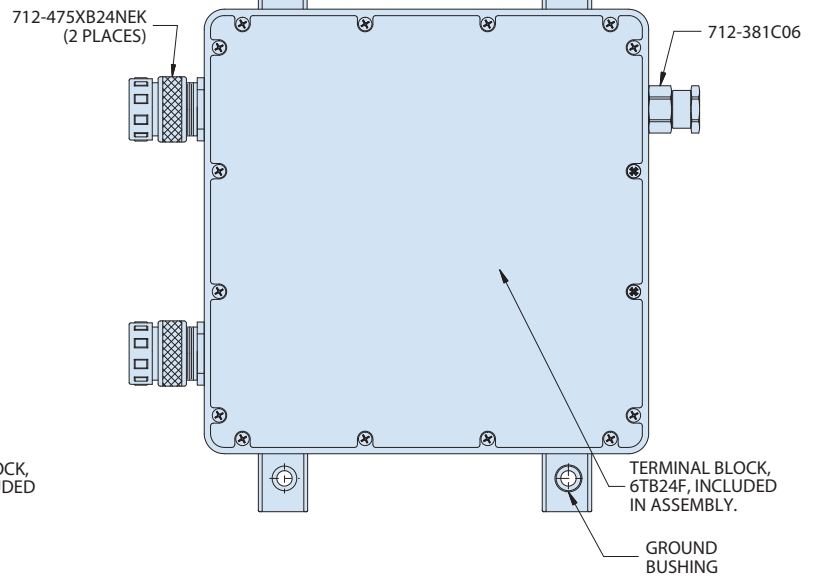
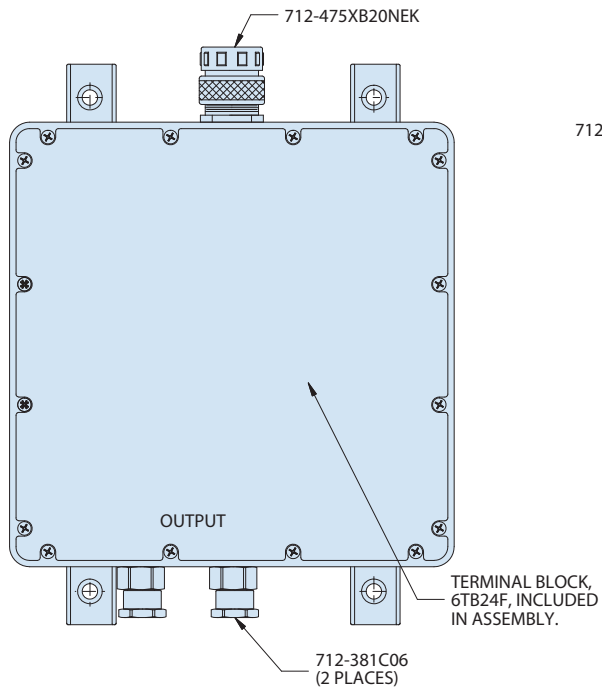
FIBER OPTICS Junction Box Capability

147-012 Composite Enclosure Assembly



DASH #3002 CONFIGURATION (LARGE JUNCTION BOX)						
Dash No.	A	B	C	D	E	F
3002	9.100 (231.1)	9.100 (231.1)	4.500 (114.3)	10.00 (254.0)	5.750 (146.1)	.312 (7.92)

147-012 Composite Enclosure Assembly



DASH #3004 CONFIGURATION (LARGE JUNCTION BOX)						
Dash No.	A	B	C	D	E	F
3004	9.100 (231.1)	9.100 (231.1)	4.500 (114.3)	10.00 (254.0)	5.750 (146.1)	.312 (7.92)

DASH #3003 CONFIGURATION (LARGE JUNCTION BOX)						
Dash No.	A	B	C	D	E	F
3003	9.100 (231.1)	9.100 (231.1)	4.500 (114.3)	10.00 (254.0)	5.750 (146.1)	.312 (7.92)