

# 180-071 (-6) Plug Single Channel Fiber Optic Connector Environmental Resistant for 181-001 Rear-Release Socket Termini

SuperNine® MIL-DTL-38999 Type



*Tight-tolerance 180-071 single-channel fiber optic plug connectors* are compatible with Size 16 snap-in, rear-release MIL-PRF-29504 socket termini (Glenair Series 181-001). Ultra miniature shell is precision-machined for optimum optical fiber alignment and low dB data loss performance. Backshell accessory threads support the wide range of Glenair fiber optic cable and conduit adapters. Keyed mating interface with five alternate polarizations protects against mis-mating.

### MATERIAL AND FINISH

- O-Ring, Rear Grommet: Fluorosilicone
- Retention Clip: BeCu Alloy

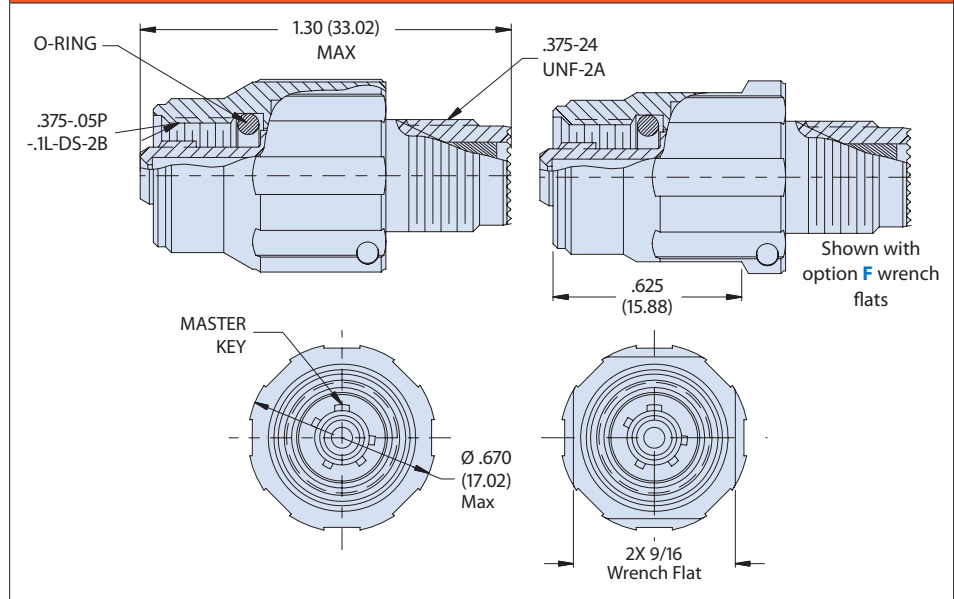
### NOTES

- Operating temperature range -55°C to +125°C.
- See Glenair drawing 181-001 for fiber optic socket terminus.
- Recommended Insertion/Extraction tool: P/N M81969/14-03 or equivalent

### HOW TO ORDER

<b>Sample Part Number</b>	<b>180-071</b>	<b>-C</b>	<b>6</b>	<b>1</b>	<b>-F</b>
<b>Basic Number</b>	Single channel fiber optic connector				
<b>Material/Finish</b>	See Material and Finish table				
<b>Plug</b>	<b>6</b>				
<b>Alternate Key Position</b>	<b>1, 2, 3, 4 &amp; 5</b> (See Keyway Polarizations table)				
<b>Coupling Nut with Wrench Flats</b>	Omit for None (Standard)				

### - 6 PLUG ASSEMBLY



MATERIAL AND FINISH		
Code	Material	Finish
<b>C</b>	Aluminum Alloy	Anodize, Black
<b>M*</b>		Electroless Nickel
<b>ME</b>		Electroless Nickel
<b>MT</b>		Nickel-PTFE, Gray
<b>NF</b>		Cadmium, Olive Drab, over Electroless Nickel
<b>TZ</b>		Tin-Zinc, Bronze-Gold
<b>ZN</b>		Zinc-Nickel, Olive Drab, over Electroless Nickel
<b>ZR</b>		Zinc-Nickel, Black
<b>ZN</b>		Zinc-Nickel, Olive Drab
<b>ZI</b>		Stainless Steel
<b>ZL</b>	Steel	Electro-Deposited Nickel

\*Inactive for new design. Use "ME" finish.

### KEY POLARIZATIONS

