

189-038 Composite Backshell with Helical Conduit Adapter

SuperNine® MIL-DTL-38999 Type

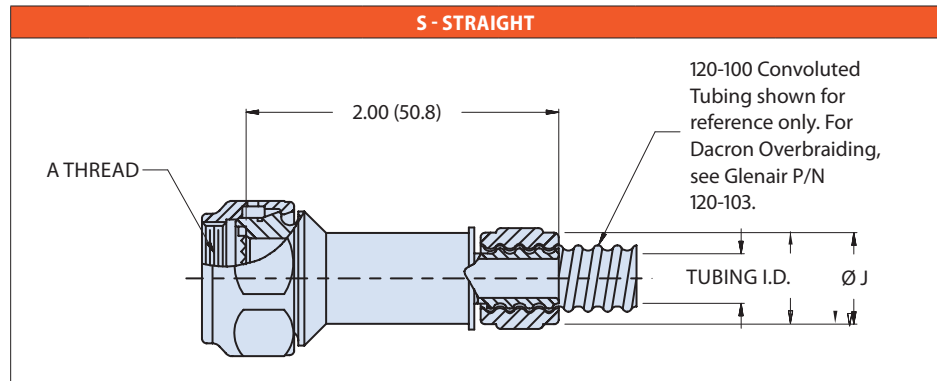


MATERIAL AND FINISH

- Adapter, Elbow: High Grade Engineering Thermoplastic/ Material and Finish table
- Coupling and Compression Nuts: High Grade Engineering Thermoplastic
- O-Ring: Fluorosilicone or Silicone
- Anti-rotation Device: Corrosion resistant material

Series 189-038 composite backshell with straight, 45°, or 90° profiles are designed for non-environmental convoluted tubing attachment without strain relief or fiber media axial alignment grommet. Supports standard Series 74 Teflon-type convoluted tubing and PEEK conduit tubing attachment with integral lamp thread type nut. Anti-decoupling device for improved vibration resistance. Optional black Dacron overbraiding available.

HOW TO ORDER								
Sample Part Number	189-038	H	S	XW	17	16	K	-D
Basic Number	D38999 Series III and IV Type							
Connector Designator	H = MIL-DTL-38999 Series III & IV							
Angular Function	S = Straight T = 45° Elbow W = 90° Elbow							
Material/Finish	See Material and Finish table							
Shell Size	See S - Straight table							
Tubing Size Dash. No.	See Tubing Size table							
Tubing Option	K = PEEK Omit for PFA, ETFE, or FEP							
Conduit Materials Package	D = With Black Dacron Overbraid (Omit for None)							

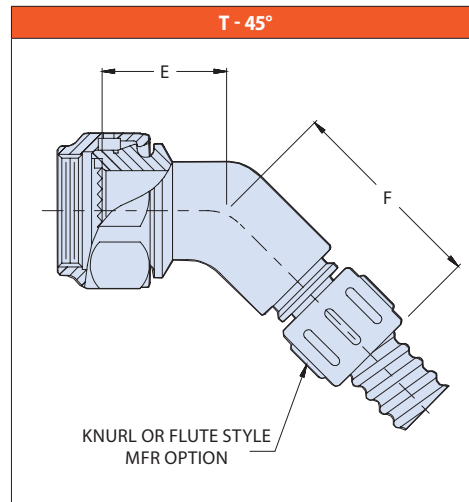
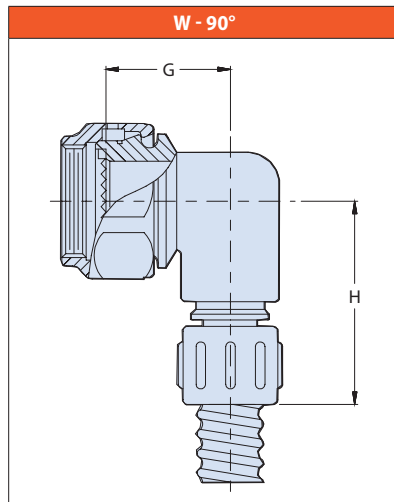


Shell Size	A Thread ISO Metric	E ±.060 (1.5)	F ±.090 (2.3)	G ±.060 (1.5)	H +.090 (2.3)	Max Entry Max Tubing Size
11	M15 x 1 - 6H	.750 (19.1)	.950 (24.1)	.750 (19.1)	1.160 (29.5)	12
13	M18 x 1 - 6H	.750 (19.1)	1.020 (25.9)	.810 (20.6)	1.220 (31.0)	16
15	M22 x 1 - 6H	.760 (19.3)	1.050 (26.7)	.880 (22.4)	1.290 (32.8)	20
17	M25 x 1 - 6H	.780 (19.8)	1.070 (27.2)	.940 (23.9)	1.350 (34.3)	24
19	M28 x 1 - 6H	.790 (20.1)	1.080 (27.4)	.970 (24.6)	1.380 (35.1)	28
21	M31 x 1 - 6H	.820 (20.8)	1.110 (28.2)	1.060 (26.9)	1.470 (37.3)	32
23	M34 x 1 - 6H	.860 (21.8)	1.150 (29.2)	1.130 (28.7)	1.540 (39.1)	32
25	M37 x 1 - 6H	.890 (22.6)	1.180 (30.0)	1.190 (30.2)	1.730 (43.9)	40

MATERIAL AND FINISH		
Code	Material	Finish Description
XM	Composite	Electroless Nickel
XW		Cadmium Plate/Olive Drab over Electroless Nickel
XO		No Plating - Amber Color
XV		No plating - Purple, black, or natural (MFG option)

Refer to Appendix for material/finish details

189-038 Composite Backshell with Helical Conduit Adapter



TUBING SIZE			
Dash No.	Conduit I.D.	Ø J Max	K DIA Entry ±.03 (.76)
06	.188 (4.8)	.790 (20.1)	.12, (3.0)
09	.281 (7.1)	.985 (25.0)	.22, (5.6)
10	.312 (7.9)	.985 (25.0)	.24, (6.1)
12	.375 (9.5)	1.035 (26.3)	.29, (7.4)
14	.437 (11.1)	1.100 (27.9)	.34, (8.6)
16	.500 (12.7)	1.160 (29.5)	.40, (10.2)
20	.625 (15.9)	1.285 (32.6)	.52, (13.2)
24	.750 (19.1)	1.480 (37.6)	.65, (16.5)
28	.875 (22.2)	1.670 (42.4)	.78, (19.8)
32	1.000 (25.4)	1.720 (43.7)	.90, (22.9)
40	1.250 (31.8)	2.100 (53.3)	1.08, (27.4)
48	1.500 (38.1)	2.420 (61.5)	1.32, (33.5)

SuperNine® MIL-DTL-38999 Type