

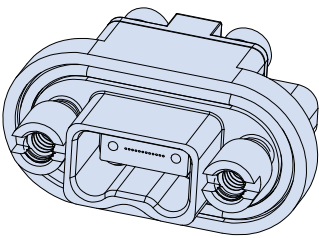
Series 79 Mil-Grade Miniature Rectangular Connectors
183-003 Non-Environmental Series 79 MT



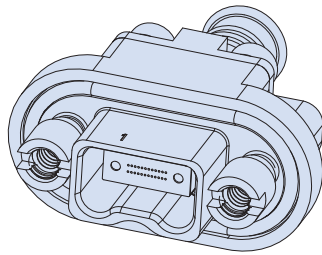
MATERIAL/FINISH NOTES

- Mounting hardware: stainless steel / passivated
- EMI gasket (optional): conductive fluorosilicone
- Additional materials, finishes, connector configurations (dual and quad layouts), and hardware options are available, consult factory.

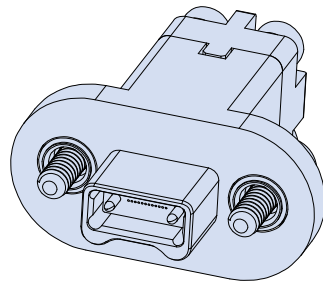
HOW TO ORDER	
Sample Part Number	183-003 ME -06 -L -1 A
Basic Number	Series 79 Single MT Fiber Optic Connector
Material / Finish	ME = Al Alloy / Electroless Nickel MT = Al Alloy / Nickel PTFE ZR = Al Alloy / Zinc Nickel, Black NF = Al Alloy / Cadmium, O.D. Z1 = Stainless Steel / Passivate
Connector Type	-06 = Plug (used with male MT ferrule) -07 = Receptacle (used with female MT ferrule) -S7 = Receptacle with EMI gasket (used with female MT ferrule)
Mounting Hardware	Hardware for PLUGS: Rear Panel Mount Jackposts for RECEPTACLES: -L = Hex Head Jackscrew, non-removable -X = for .031" panel thickness -K = Slotted Head Jackscrew, non-removable -W = for .047" panel thickness -B = Thru-Hole -V = for .062" panel thickness -T = for .094" panel thickness -R = for .080" panel thickness
Retaining Plate / Banding Platform	-1 = 12 or 24 channel without banding platform -2 = 12 or 24 channel with banding platform for EMI shield termination and strain relief N = No Retaining Plate (For use with standalone retaining plate) See Dwg. 189-168 for various retaining plate designs See Dwg. 189-177 for retaining plate used with PRIZM-MT on Jacketed Cable
Polarization Key Position	A or B position for Plug; A, B, or U position for Receptacle Omit for no Polarization Key. See table.



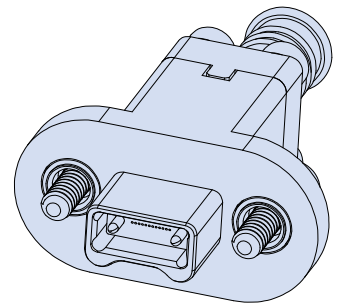
Receptacle with female MT ferrule, available with or without EMI gasket



Receptacle with female MT ferrule, retaining plate, and banding platform



Plug with male MT ferrule and retaining plate



Plug with male MT ferrule with retaining plate and banding platform

Series 79 Mil-Grade Miniature Rectangular Connectors
183-003 Non-Environmental Series 79 MT

PRIZM[®] MT and MT Elite[®]

