



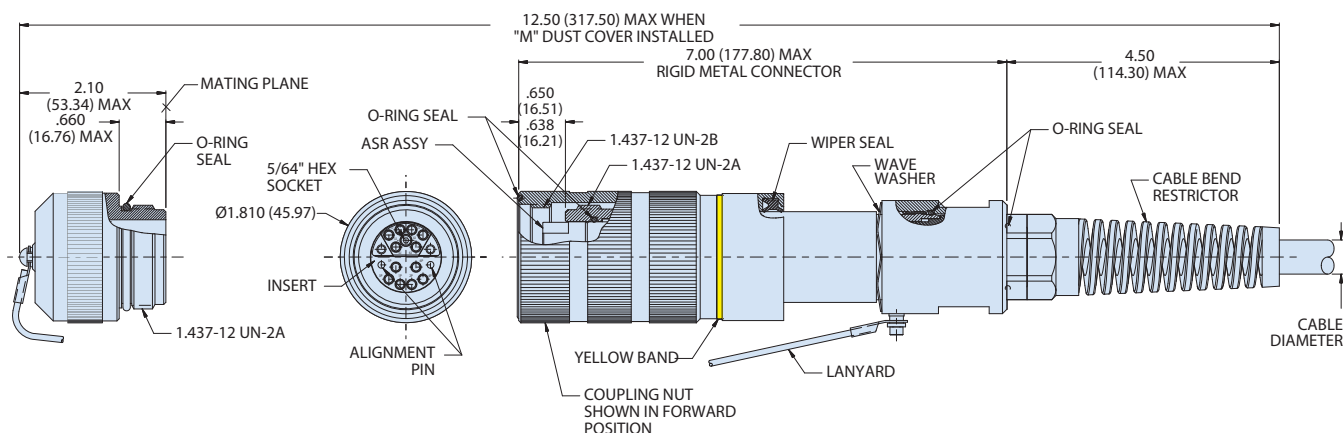
Pierside Fiber Optic Connectors IAW NAVSEA 737971 / 737972  
180-156 (16) hermaphroditic plug with backshell / strain relief

NAVSEA / Underwater Fiber Optics

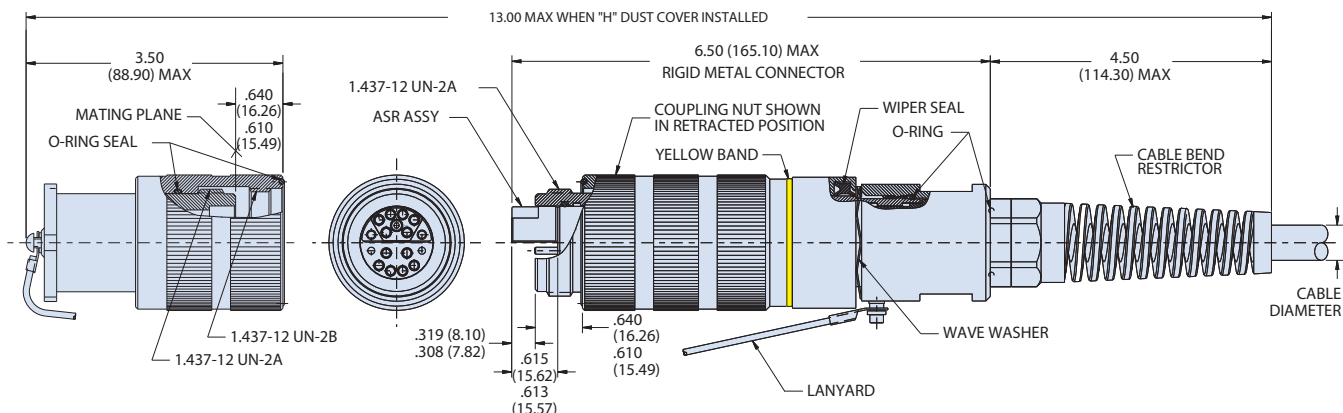
HOW TO ORDER									
Sample Part Number	180-156	G2	16	-12	E	1	M	1	A
Basic Number	Pierside Fiber Optic plug								
Material/Finish Code	G2 = Aluminum alloy, hard anodize, gray NF = Aluminum alloy, cadmium, olive drab								
Connector Type	16 = Plug with integral straight backshell and strain relief								
Number Of Connector Channels	12								
Sleeve Retention	N = Normal      E = Enhanced								
Insert Material/Finish Dash No.	1 = Aluminum alloy, anodize 2 = Aluminum alloy, electroless nickel								
Dust Cover Dash Sym	H = Hermaphroditic    M = Male      N = None								
O-Ring Seal Material	1 = Fluorosilicone								
Cable Diameter Range	A = .200-.350 (5.08- 8.89)    B = .280-.470 (7.11-11.94)    C = .350-.630 (8.89-16.00)								

- MATERIAL AND FINISH**
- Internal hardware: Al alloy/chem film
  - Misc. Hardware: stainless steel/passivate
  - Alignment sleeves: zirconia ceramic
  - Sleeve retainers: copper alloy/nickel
  - Lanyard: stainless steel/coated
  - Wiper seal: urethane
  - Cable bend restrictor: nylon

Pierside Fiber Optic Connectors IAW NAVSEA 737971 / 737972  
 180-156 (16) hermaphroditic plug with backshell / strain relief



**16 - Plug with M - Male Dust Cover**



**16 - Plug with H - Hermaphroditic Dust Cover**