

240-804-07 and -08  
 Series 804 Mighty Mouse Filter Connector  
 Jam Nut Receptacle, Push-Pull Quick Disconnect

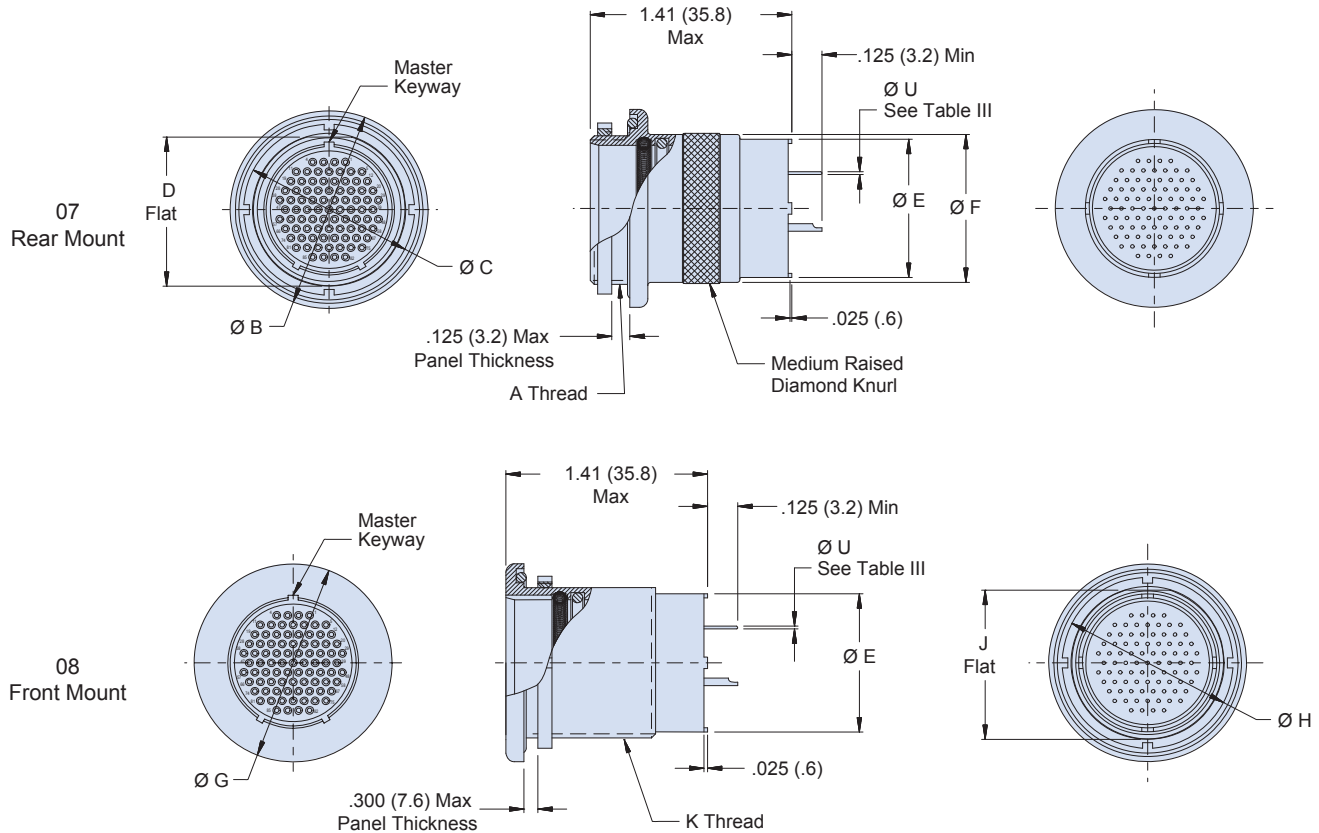


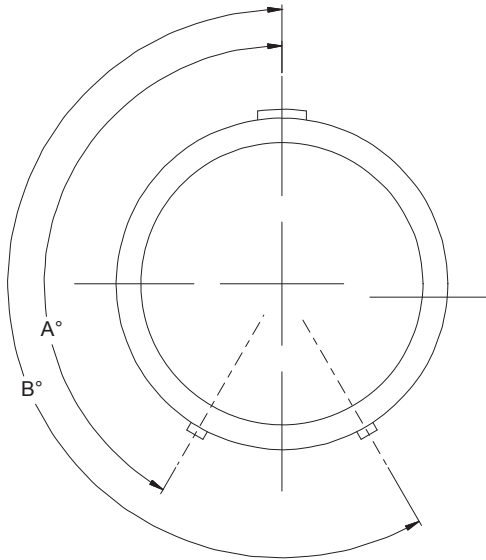
Table III: Dimensions

Shell Size	A Thread	Ø B	Ø C	D Flat	Ø E	Ø F	Ø G	Ø H	J Flat	K Thread	Rear Mount -07		Front Mount -08	
											M Flat	Ø N	P Flat	Ø R
5	.4375-32	.790	.562	.415	.365	.450	.830	.625	.470	.5000-32	.427 (10.9)	.453 (11.5)	.482 (12.2)	.515 (13.1)
	UN-2A	(20.1)	(14.3)	(10.5)	(9.3)	(11.4)	(21.1)	(15.9)	(11.9)	UN-2A	.423 (10.7)	.443 (11.3)	.478 (12.1)	.505 (12.8)
6	.5000-32	.830	.625	.467	.409	.520	.885	.688	.530	.5625-32	.479 (12.2)	.515 (13.1)	.542 (13.8)	.580 (14.7)
	UN-2A	(21.1)	(15.9)	(11.9)	(10.4)	(13.3)	(22.5)	(17.5)	(13.5)	UN-2A	.475 (12.1)	.505 (12.8)	.538 (13.7)	.570 (14.5)
7	.6250-28	.910	.750	.594	.500	.570	.995	.812	.663	.6875-28	.606 (15.4)	.640 (16.3)	.676 (17.2)	.703 (17.9)
	UN-2A	(23.1)	(19.1)	(15.1)	(12.7)	(14.5)	(25.3)	(20.6)	(16.8)	UN-2A	.602 (15.3)	.630 (16.0)	.671 (17.0)	.693 (17.6)
8	.6250-28	.955	.750	.594	.522	.603	.995	.812	.663	.6875-28	.606 (15.4)	.640 (16.3)	.676 (17.2)	.703 (17.9)
	UN-2A	(24.3)	(19.1)	(15.1)	(13.3)	(15.3)	(25.3)	(20.6)	(16.8)	UN-2A	.602 (15.3)	.630 (16.0)	.671 (17.0)	.693 (17.6)
9	.6875-28	1.000	.812	.655	.610	.685	1.075	.875	.720	.7500-28	.667 (17.0)	.700 (17.8)	.732 (18.6)	.765 (19.4)
	UN-2A	(25.4)	(20.6)	(16.6)	(15.5)	(17.4)	(27.3)	(22.2)	(18.3)	UN-2A	.663 (16.8)	.690 (17.5)	.728 (18.5)	.755 (19.2)
10	.7500-28	1.085	.875	.721	.652	.735	1.140	.938	.788	.8125-28	.734 (18.6)	.765 (19.4)	.801 (20.4)	.827 (21.0)
	UN-2A	(27.6)	(22.2)	(18.3)	(16.6)	(18.7)	(29.0)	(23.8)	(20.0)	UN-2A	.729 (18.5)	.755 (19.2)	.796 (20.2)	.817 (20.8)
11	.8125-28	1.135	.938	.788	.694	.810	1.190	1.000	.843	.8750-28	.801 (20.3)	.827 (21.0)	.855 (21.7)	.890 (22.6)
	UN-2A	(28.8)	(23.8)	(20.0)	(17.6)	(20.6)	(30.2)	(25.4)	(21.4)	UN-2A	.796 (20.2)	.817 (20.8)	.851 (21.6)	.880 (22.4)
12	.8750-28	1.180	1.000	.843	.746	.850	1.340	1.125	.970	1.0000-28	.855 (21.7)	.890 (22.6)	.982 (24.9)	1.015 (25.8)
	UN-2A	(30.0)	(25.4)	(21.4)	(18.9)	(21.6)	(34.0)	(28.6)	(24.6)	UN-2A	.851 (21.6)	.880 (22.4)	.978 (24.8)	1.005 (25.5)
14	1.0000-28	1.325	1.125	.968	.871	.973	1.390	1.188	1.020	1.0625-20	.980 (24.9)	1.015 (25.8)	1.032 (26.2)	1.080 (27.4)
	UN-2A	(33.7)	(28.6)	(24.6)	(22.1)	(24.7)	(35.3)	(30.2)	(25.9)	UN-2A	.976 (24.8)	1.005 (25.5)	1.028 (26.1)	1.070 (27.2)
15	1.0625-20	1.390	1.188	1.029	.965	1.060	1.450	1.250	1.104	1.1250-28	1.041 (26.4)	1.075 (27.3)	1.015 (25.8)	1.140 (29.0)
	UN-2A	(35.3)	(30.2)	(26.1)	(24.5)	(26.9)	(36.8)	(31.8)	(28.0)	UN-2A	1.037 (26.3)	1.065 (27.1)	1.011 (25.7)	1.130 (28.7)

Dimensions in inches (millimeters) and are subject to change without notice.

## Series 80 Mighty Mouse Filter Connector Normal and Alternate Key Positions

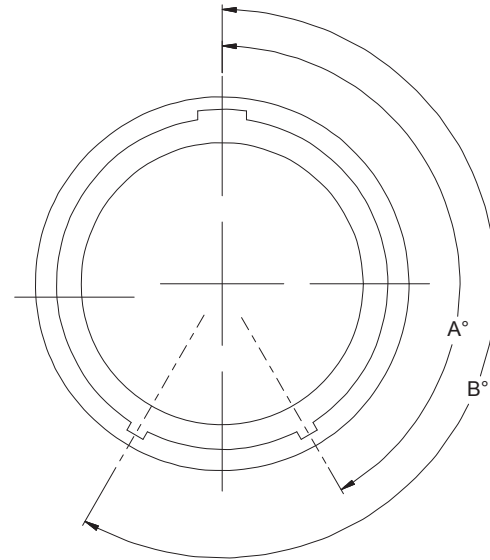
Plug  
Key Positions



### **SERIES**

801  
804  
805

Receptacle  
Keyway Positions



Series 80 Mighty Mouse  
Alternate Key Positions

Key Position	Notes	A°	B°
A	Normal	150°	210°
B	Alternate #1	75°	210°
C	Alternate #2	95°	230°
D	Alternate #3	140°	275°
E	Alternate #4	75°	275°
F	Alternate #5	95°	210°
U	Universal	-	-

### Notes

- Materials/Finishes: Shells, Barrel, Coupling Nut, Jam Nut - See Table I  
Insulators - High grade rigid dielectric/N.A.  
Seals - Fluorosilicone  
Contacts: Copper alloy 50μ" Gold over 50μ" Nickel
- Assembly to be identified with Glenair's name, part number, and date code - space permitting.
- All contacts to have identical filter value. Other filter arrangements available, contact factory.
- Electrical Ratings: DWV- 300 VDC; Standard Operating Voltage 200 VDC (Filter class X, Y and Z are 250 VDC)
- Insulation Resistance: 5000 MegOhms Min. at 200 VDC.
- Operating Temperature: -55°C to +125°C (Env Class Connectors)
- Other filter styles (C-L, L-C, Unbalanced Pi, Multi-Stage, Multi-Value) are available, please consult the factory.

Dimensions in inches (millimeters) and are subject to change without notice.

# Series 80 Mighty Mouse Filter Connector Contact Arrangements



Series 80 Mighty Mouse Contact Arrangements								
Contact Size	Contact Quantity					Contact Arrangements		
	#23	#20	#20HD	#16	#12	Series 801	Series 804	Series 805
Size #23 Contacts 5 Amp Max	3					5-3	5-3	N/A
	4					6-4	6-4	8-4
	6					6-6	6-6	8-6
	7					6-7	6-7	8-7
	10					7-10	7-10	9-10
	13					8-13	8-13	10-13
	19					9-19	9-19	11-19
	26					10-26	10-26	12-26
	31					11-31	11-31	13-31
	37					13-37	12-37	15-37
	55					16-55	14-55	18-55
	85					17-85	15-85	19-85
	100					19-100	N/A	21-100
130					21-130	N/A	23-130	
Size #20HD Contacts 7.5 Amp Max			3			6-23	6-23	8-23
			5			7-25	7-25	9-25
			8			8-28	8-28	10-28
			10			9-210	9-210	11-210
			20			13-220	12-220	15-220
			35			16-235	14-235	18-235
			41			17-241	15-241	19-241
			55			19-255	N/A	21-255
Size #16 Contacts 13 Amp Max				1		6-1	6-1	8-1
				2		8-2	8-2	10-2
				4		9-4	9-4	11-4
				5		10-5	10-5	12-5
				7		13-7	12-7	15-7
				12		16-12	14-12	18-12
				14		17-14	15-14	19-14
				19		19-19	N/A	21-19
Size #12 Contacts 23 Amp Max					1	7-1	7-1	9-1
					2	10-2	10-2	12-2
					2	13-2	12-2	15-2
					3	13-3	12-3	15-3
					5	16-5	14-5	18-5
					7	17-7	15-7	19-7
					12	21-12	N/A	23-12
Mixed Size "Combo" Layouts	4	2				8-200	8-200	10-200
	8	2				9-201	9-201	11-201
	4			2		9-200	9-200	11-200
	8			2		10-202	10-202	12-202
	4				2	10-201	10-201	12-201
	6				2	13-200	12-200	15-200
	10				2	13-201	12-201	15-201
	12				1	10-200	10-200	12-200

Dimensions in inches (millimeters) and are subject to change without notice.



## Series 80 Mighty Mouse Filter Connector Contact Arrangements (Pin Front View) with Printed Circuit Board Dimensions

Series 801	5-3	6-4	6-6	6-7	6-23	6-1
Series 804	5-3	6-4	6-6	6-7	6-23	6-1
Series 805	N/A	8-4	8-6	8-7	8-23	8-1
Series 801	7-10	7-25	7-1	8-13	8-28	
Series 804	7-10	7-25	7-1	8-13	8-28	
Series 805	9-10	9-25	9-1	10-13	10-28	
Series 801	8-2	8-200	9-19	9-4	9-210	9-200
Series 804	8-2	8-200	9-19	9-4	9-210	9-200
Series 805	10-2	10-200	11-19	11-4	11-210	11-200
Series 801	9-201	10-26	10-5	10-2		
Series 804	9-201	10-26	10-5	10-2		
Series 805	11-201	12-26	12-5	12-2		

Dimensions in inches (millimeters) and are subject to change without notice.

# Series 80 Mighty Mouse Filter Connector Contact Arrangements (Pin Front View) with Printed Circuit Board Dimensions



Series 801	10-200	10-201	10-202	11-31	13-37
Series 804	10-200	10-201	10-202	11-31	12-37
Series 805	12-200	12-201	12-202	13-31	15-37
Series 801	13-7	13-2	13-3	13-200	13-201
Series 804	12-7	12-2	12-3	12-200	12-201
Series 805	15-7	15-2	15-3	15-200	15-201
Series 801	13-220	16-55	16-235		
Series 804	12-220	14-55	14-235		
Series 805	15-220	18-55	18-235		

Dimensions in inches (millimeters) and are subject to change without notice.

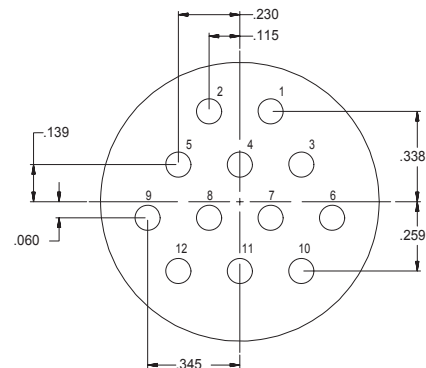
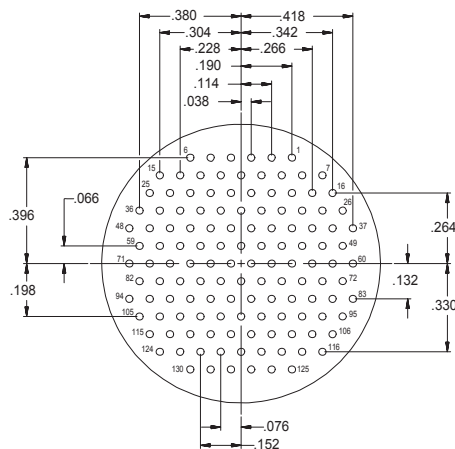


## Series 80 Mighty Mouse Filter Connector Contact Arrangements (Pin Front View) with Printed Circuit Board Dimensions

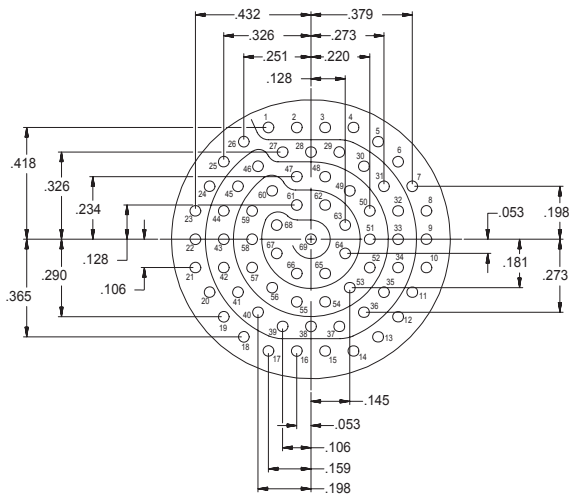
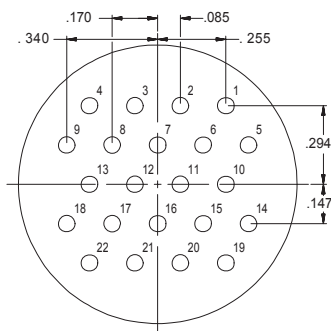
Series 801	16-5	16-12	17-14
Series 804	14-5	14-12	15-14
Series 805	18-5	18-12	19-14
Series 801	17-85	17-241	
Series 804	15-85	15-241	
Series 805	19-85	19-241	
Series 801	19-100	19-255	19-19
Series 804	N/A	N/A	N/A
Series 805	21-100	21-255	21-19

Dimensions in inches (millimeters) and are subject to change without notice.

# Series 80 Mighty Mouse Filter Connector Contact Arrangements (Pin Front View) with Printed Circuit Board Dimensions



Series 801	21-130	21-12
Series 804	N/A	N/A
Series 805	23-130	23-12



Series 801	21-22	21-269
Series 804	N/A	N/A
Series 805	23-22	23-269

Dimensions in inches (millimeters) and are subject to change without notice.