

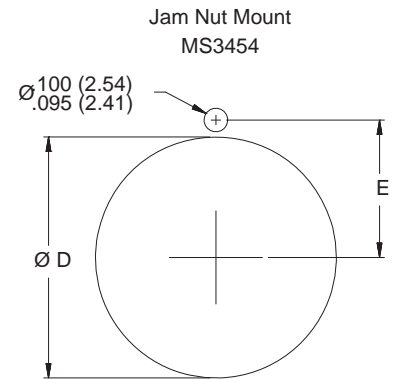
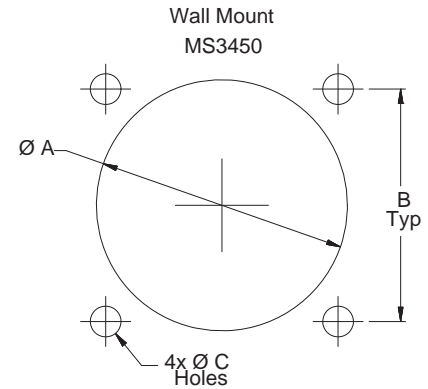
MIL-DTL-5015 Series III Type Filter Connectors Panel Cut-Outs and Insert Positions



MIL-DTL-5015
Type

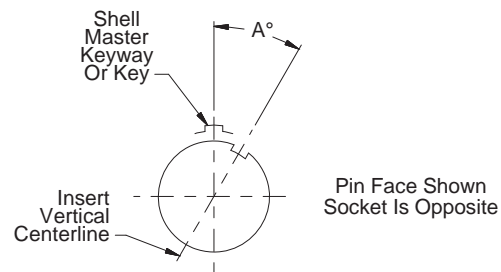
B

| MIL-DTL-5015 Series III Wall Mount Panel Cut-Outs | | | | MIL-DTL-5015 Series III Jam Nut Panel Cut-Outs | | |
|--|-------------------|--------------|--------------------------|---|------------------------------|-------------|
| Shell Size | Ø A ±.010(.25) | B Typ | Ø C Holes | Ø D | E ±.005(.13) | |
| 8S | .562 (14.3) | .594 (15.1) | .130 (3.3) .115 (2.9) | .520 (13.2) .505 (12.8) | .323 (8.2) | |
| 10S, 10SL | .688 (17.5) | .719 (18.3) | | .645 (16.4) .630 (16.0) | .385 (9.8) | |
| 12, 12S | .812 (20.6) | .812 (20.6) | | .770 (19.6) .755 (19.2) | .448 (11.4) | |
| 14, 14S | .938 (23.8) | .906 (23.0) | | .895 (22.7) .880 (22.4) | .510 (13.0) | |
| 16, 16S | 1.062 (27.0) | .969 (24.6) | | 1.020 (25.9) 1.005 (25.5) | .573 (14.6) | |
| 18 | 1.188 (30.2) | 1.062 (27.0) | | 1.145 (29.1) 1.130 (28.7) | .635 (16.1) | |
| 20 | 1.312 (33.3) | 1.156 (29.4) | | 1.270 (32.3) 1.255 (31.9) | .698 (17.7) | |
| 22 | 1.438 (36.5) | 1.250 (31.8) | | 1.395 (35.4) 1.380 (35.1) | .760 (19.3) | |
| 24 | 1.562 (39.7) | 1.375 (34.9) | | .157 (4.0) .142 (3.6) | 1.520 (38.6) 1.505 (38.2) | .823 (20.9) |
| 28 | 1.812 (46.0) | 1.562 (39.7) | | | 1.770 (45.0) 1.755 (44.6) | .948 (24.1) |
| 32 | 2.062 (52.4) | 1.750 (44.5) | .183 (4.6) .168 (4.3) | 2.020 (51.3) 2.005 (50.9) | 1.073 (27.3) | |
| 36 | 2.312 (58.7) | 1.938 (49.2) | | 2.270 (57.7) 2.255 (57.3) | 1.198 (30.4) | |
| 40 | 2.562 (65.1) | 2.188 (55.6) | | 2.520 (64.0) 2.505 (63.6) | 1.323 (33.6) | |



| MIL-STD-1651 Insert Arrangements and Insert Positions | | | | | | | |
|---|----------|------|---------------------|-----|------|------|------|
| Insert Arrg. | Contacts | | A° Insert Positions | | | | |
| | Qty | Size | N° | W° | X° | Y° | Z° |
| 8S-1 | 1 | 16 | 0° | - | - | - | - |
| 10S-2 | 1 | 16 | 0° | - | - | - | - |
| 10SL-3 | 3 | 16 | 0° | - | - | - | - |
| 10SL-4 | 2 | 16 | 0° | - | - | - | - |
| 12-5 | 1 | 12 | 0° | - | - | - | - |
| 12S-3 | 2 | 16 | 0° | 70° | 145° | 215° | 290° |
| 12S-4 | 1 | 16 | 0° | - | - | - | - |
| 14-3 | 1 | 8 | 0° | - | - | - | - |
| 14S-2 | 4 | 16 | 0° | - | 120° | 240° | - |
| 14S-5 | 5 | 16 | 0° | - | 110° | - | - |
| 14S-6 | 6 | 16 | 0° | - | - | - | - |
| 14S-7 | 3 | 16 | 0° | 90° | 180° | 270° | - |
| 16-2 | 1 | 12 | 0° | - | - | - | - |
| 16-7 | 2 | 16 | 0° | 80° | 110° | 250° | 280° |
| 16-9 | 2 | 16 | 0° | 35° | 110° | 250° | 325° |
| | 2 | 12 | | | | | |

| MIL-STD-1651 Insert Arrangements and Insert Positions | | | | | | | |
|---|----------|------|---------------------|-----|------|------|------|
| Insert Arrg. | Contacts | | A° Insert Positions | | | | |
| | Qty | Size | N° | W° | X° | Y° | Z° |
| 16-10 | 3 | 12 | 0° | 90° | 180° | 270° | - |
| 16-11 | 2 | 12 | 0° | 35° | 110° | 250° | 325° |
| 16-12 | 1 | 4 | 0° | - | - | - | - |
| 16S-1 | 7 | 16 | 0° | 80° | - | - | 280° |
| 16S-3 | 1 | 16 | 0° | - | - | - | - |
| 16S-4 | 2 | 16 | 0° | 35° | 110° | 250° | 325° |
| 16S-8 | 5 | 16 | 0° | - | 170° | 265° | - |



Dimensions in inches (millimeters) and are subject to change without notice.

© 2013 Glenair, Inc.

U.S. CAGE Code 06324

Printed in U.S.A.