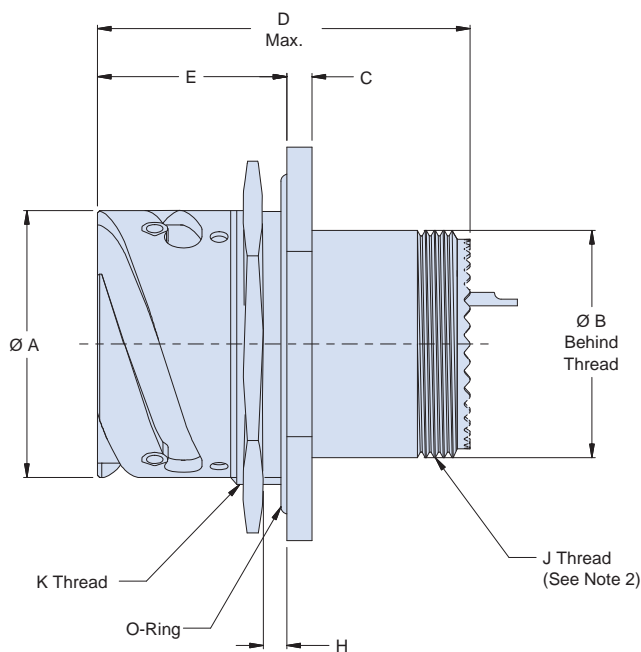
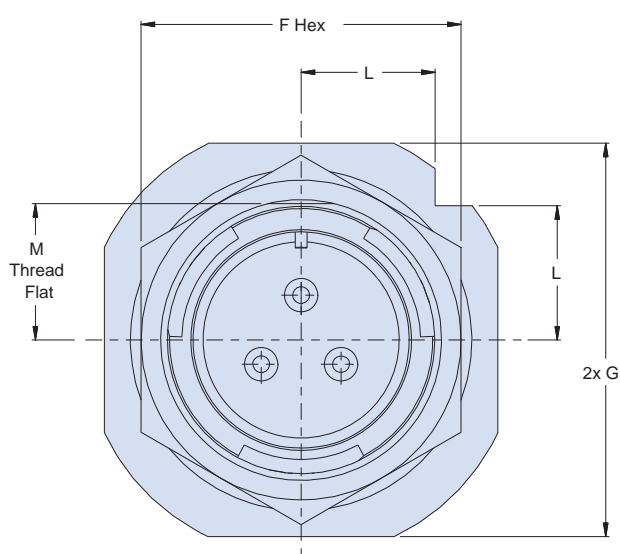




240-ITSJ VG 95234 Type Receptacle Connector Jam Nut Mount with Reverse Bayonet Coupling

VG 95234 TYPE JAM NUT RECEPTACLE, REVERSE BAYONET COUPLING

| How To Order | |
|---------------------------|--|
| Sample Part Number | 240-ITS J NF 20-3 P S C B N |
| Filter Connector | VG 95234 Type |
| Shell Style | J = Jam Nut JT = Jam Nut with Accessory Thread (See Note 2) |
| Connector Class | See Table II |
| Insert Arrangement | See pages B-88 – B-91 |
| Contact Gender | P = Pin S = Socket |
| Termination Type | S = Solder Cup |
| Filter Type | C = C Circuit (See Note 1) |
| Capacitance | See Table III |
| Alternate Insert Position | W, X, Y, Z, N = Normal (See pages B-88 – B-91) |



Notes

- Other filter styles (Pi, C-L, L-C, Unbalanced Pi, Multi-Stage, Multi-Value) are available, please consult the factory.
- Shell style JT shown. Shell style J is less accessory threads and teeth.

Dimensions in inches (millimeters) and are subject to change without notice.

240-ITSJ
VG 95234 Type Receptacle Connector
Jam Nut Mount with Reverse Bayonet Coupling



Series ITS
 VG 95234 Type

B

| Table I: Dimensions | | | | | | | | | | | | |
|---------------------|-----------------------------------|-----------------|----------------------|-----------------|----------------------|--------------------------|----------------------|--------------------------|----------------|----------------|-----------------|------------------------------|
| Shell Size | Ø A +.000 (.00) -.006 (.15) | Ø B Max | C ±.008 (±.20) | D Max | E ±.008 (±.20) | F Hex ±.016 (±.40) | G ±.008 (±.20) | H Panel | J Thread 2A | K Thread 2A | L | M Flat |
| 10SL | .717 (18.2) | .638 (16.2) | .157 (3.99) | 1.650 (41.9) | .965 (24.5) | 1.063 (27.0) | 1.252 (31.8) | .205 (5.2) .094 (2.4) | .625-24 UNEF | .875-20 UNEF | .441 (11.2) | .366 (9.3) .362 (9.2) |
| 14S | .969 (24.6) | .756 (19.2) | .189 (4.80) | 1.650 (41.9) | 1.055 (26.8) | 1.300 (33.0) | 1.626 (41.3) | .295 (7.5) .094 (2.4) | .750-20 UNEF | 1.125-18 UNEF | .575 (14.6) | .520 (13.2) .516 (13.1) |
| 16S | 1.079 (27.4) | .882 (22.4) | .189 (4.80) | 1.650 (41.9) | 1.055 (26.8) | 1.496 (38.0) | 1.748 (44.4) | .295 (7.5) .094 (2.4) | .875-20 UNEF | 1.250-18 UNEF | .618 (15.7) | .587 (14.9) .583 (14.8) |
| 16 | 1.079 (27.4) | .882 (22.4) | .189 (4.80) | 1.800 (45.7) | 1.268 (32.2) | 1.496 (38.0) | 1.748 (44.4) | .295 (7.5) .094 (2.4) | .875-20 UNEF | 1.250-18 UNEF | .618 (15.7) | .587 (14.9) .583 (14.8) |
| 18 | 1.213 (30.8) | 1.008 (25.6) | .189 (4.80) | 1.800 (45.7) | 1.327 (33.7) | 1.555 (39.5) | 1.874 (47.6) | .354 (9.0) .094 (2.4) | 1.000-20 UNEF | 1.375-18 UNEF | .661 (16.8) | .622 (15.8) .618 (15.7) |
| 20 | 1.346 (34.2) | 1.142 (29.0) | .189 (4.80) | 1.800 (45.7) | 1.327 (33.7) | 1.732 (44.0) | 2.000 (50.8) | .354 (9.0) .094 (2.4) | 1.125-18 UNEF | 1.500-18 UNEF | .709 (18.0) | .689 (17.5) .685 (17.4) |
| 22 | 1.472 (37.4) | 1.268 (32.2) | .189 (4.80) | 1.800 (45.7) | 1.327 (33.7) | 1.803 (45.8) | 2.134 (54.2) | .358 (9.1) .094 (2.4) | 1.250-18 UNEF | 1.625-18 UNEF | .795 (20.2) | .740 (18.8) .736 (18.7) |
| 24 | 1.610 (40.9) | 1.390 (35.3) | .189 (4.80) | 1.800 (45.7) | 1.327 (33.7) | 2.000 (50.8) | 2.252 (57.2) | .358 (9.1) .094 (2.4) | 1.375-18 UNEF | 1.750-18 UNS | .795 (20.2) | .815 (20.7) .811 (20.6) |
| 28 | 1.839 (46.7) | 1.630 (41.4) | .220 (5.59) | 1.800 (45.7) | 1.386 (35.2) | 2.157 (54.8) | 2.500 (63.5) | .335 (8.5) .094 (2.4) | 1.625-18 UNEF | 2.000-18 UNS | .886 (22.5) | .933 (23.7) .929 (23.6) |
| 32 | 2.102 (53.4) | 1.882 (47.8) | .220 (5.59) | 1.800 (45.7) | 1.386 (35.2) | 2.441 (62.0) | 2.748 (69.8) | .256 (6.5) .094 (2.4) | 1.875-16 UN | 2.250-16 UN | .972 (24.7) | 1.051 (26.7) 1.047 (26.6) |
| 36 | 2.346 (59.6) | 2.130 (54.1) | .220 (5.59) | 1.800 (45.7) | 1.386 (35.2) | 2.795 (71.0) | 3.000 (76.2) | .327 (8.3) .094 (2.4) | 2.0625-16 UN | 2.500-16 UN | 1.059 (26.9) | 1.201 (30.5) 1.197 (30.4) |
| 40 | 2.579 (65.5) | 2.323 (59.0) | .220 (5.59) | 1.800 (45.7) | 1.386 (35.2) | 2.953 (75.0) | 3.287 (83.5) | .327 (8.3) .094 (2.4) | 2.3125-16 UN | 2.750-16 UN | 1.165 (29.6) | 1.319 (33.5) 1.315 (33.4) |

| Table II: Connector Class | | |
|---------------------------|-----------------|--------------------------------------|
| Sym | Material | Finish Description |
| ME | Aluminum | Electroless Nickel |
| NF | | Cadmium O.D. Over Electroless Nickel |
| ZL | Stainless Steel | Electro-Deposited Nickel |

| Table III: Capacitor Array Code Capacitance Range | |
|--|------------------|
| Class | C - Circuit (pF) |
| X | 80,000 - 120,000 |
| Y | 40,000 - 60,000 |
| Z | 30,000 - 45,000 |
| A | 19,000 - 28,000 |
| B | 16,000 - 22,500 |
| C | 9,000 - 16,500 |

Dimensions in inches (millimeters) and are subject to change without notice.