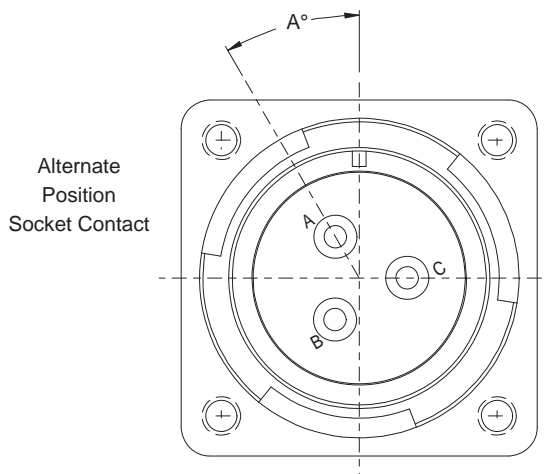
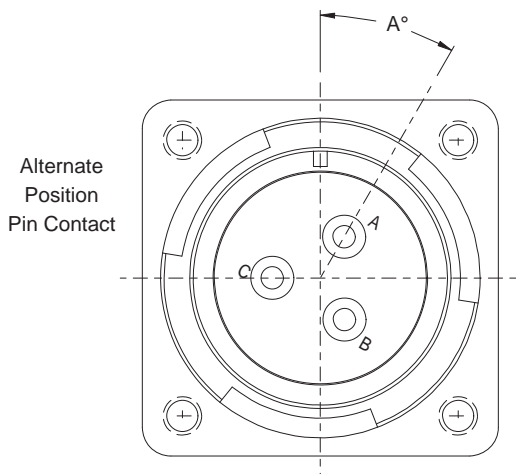




ITS Series, VG 95234 Insert Arrangements and Insert Positions for Filter Connectors

B



ITS Series Insert Arrangements and Insert Positions							
Insert Arrg.	Contacts		A° Insert Positions				
	Qty	Size	N°	W°	X°	Y°	Z°
10SL-3	3	16	0°	-	-	-	-
10SL-4	2	16	0°	-	-	-	-
14S-1	3	16	0°	90°	180°	270°	-
14S-2	4	16	0°	-	120°	240°	-
14S-5	5	16	0°	-	110°	-	-
14S-6	6	16	0°	90°	-	-	-
14S-7	3	16	0°	90°	180°	270°	-
14S-9	2	16	0°	70°	145°	215°	290°
16S-1	7	16	0°	80°	-	-	280°
16S-4	2	16	0°	35°	110°	250°	325°
16S-5	3	16	0°	70°	145°	215°	290°
16S-8	5	16	0°	-	170°	265°	-
16-2	1	12	0°	-	-	-	-
16-7	2	16	0°	80°	110°	250°	280°
	1	8					
16-9	2	16	0°	35°	110°	250°	325°
	2	12					
16-10	3	12	0°	90°	180°	270°	-
16-11	2	12	0°	35°	110°	250°	325°
16-12	1	4	0°	-	-	-	-
16A-10	10	18	0°	35°	112°	235°	315°
18-1	10	16	0°	70°	145°	215°	290°
18-3	2	12	0°	35°	110°	250°	325°
18-4	4	16	0°	35°	110°	250°	325°
18-5	1	16	0°	80°	110°	250°	280°
	2	12					
18-06	2	16	0°	-	-	-	-
	4	12					
18-6	1	4	0°	-	-	-	-

ITS Series Insert Arrangements and Insert Positions							
Insert Arrg.	Contacts		A° Insert Positions				
	Qty	Size	N°	W°	X°	Y°	Z°
18-7	1	8	0°	-	-	-	-
18-8	7	16	0°	70°	-	-	290°
	1	12					
18-9	5	16	0°	80°	110°	250°	280°
	2	12					
18-10	4	12	0°	-	120°	240°	-
18-11	5	12	0°	-	170°	265°	-
18-12	6	16	0°	80°	-	-	280°
18-13	3	12	0°	80°	110°	250°	280°
	1	8					
18-14	1	16	0°	80°	110°	250°	280°
	1	4					
18-16	1	12	0°	-	-	-	-
18-19	10	16	0°	-	120°	240°	-
18-20	5	16	0°	90°	180°	270°	-
18-22	3	16	0°	70°	145°	215°	290°
20-3	3	12	0°	70°	145°	215°	290°
20-4	4	12	0°	45°	110°	250°	-
20-6	3	16	0°	70°	145°	215°	290°
20-7	8	16	0°	80°	110°	250°	280°
20-8	4	16	0°	80°	110°	250°	280°
	2	8					
20-9	7	16	0°	80°	110°	250°	280°
	1	12					
20-11	13	16	0°	-	-	-	-
20-14	3	12	0°	80°	110°	250°	280°
	2	8					
20-15	7	12	0°	80°	-	-	280°

Dimensions in inches (millimeters) and are subject to change without notice.

ITS Series, VG 95234 Insert Arrangements and Insert Positions for Filter Connectors



Series ITS
VG 95234 Type

B

ITS Series Insert Arrangements and Insert Positions							
Insert Arrg.	Contacts		A° Insert Positions				
	Qty	Size	N°	W°	X°	Y°	Z°
20-16	7	16	0°	80°	110°	250°	280°
	2	12					
20-17	1	16	0°	90°	180°	270°	-
	5	12					
20-18	6	16	0°	35°	110°	250°	325°
	3	12					
20-19	3	8	0°	90°	180°	270°	-
20-21	8	16	0°	35°	110°	250°	325°
	1	12					
20-22	3	16	0°	80°	110°	250°	280°
	3	8					
20-23	2	8	0°	35°	110°	250°	325°
20-24	2	16	0°	35°	110°	250°	325°
	2	8					
20-27	14	16	0°	35°	110°	250°	325°
20-29	17	16	0°	80°	-	-	280°
20A-8	6	16	0°	35°	110°	250°	325°
	2	8					
20A-9	9	12	0°	-	110°	250°	-
20A-29	25	18	0°	45°	-	210°	-
	4	12					
20A-48	19	16	0°	-	80°	280°	-
22-1	2	8	0°	35°	110°	250°	325°
22-2	3	8	0°	70°	145°	215°	290°
22-4	2	12	0°	35°	110°	250°	325°
	2	8					
22-5	4	16	0°	35°	110°	250°	325°
	2	12					
22-6	1	16	0°	80°	110°	250°	280°
	2	8					
22-8	2	12	0°	35°	110°	250°	325°
22-9	3	12	0°	70°	145°	215°	290°
22-10	4	16	0°	35°	110°	250°	325°
22-11	2	16	0°	35°	110°	250°	325°
22-12	3	16	0°	80°	110°	250°	280°
	2	8					
22-14	19	16	0°	80°	-	-	280°
22-15	1	16	0°	80°	110°	250°	280°
	5	12					
22-16	6	16	0°	80°	110°	250°	280°
	3	12					
22-17	8	16	0°	80°	110°	250°	280°
	1	12					
22-18	8	16	0°	80°	110°	250°	280°
22-19	14	16	0°	80°	110°	250°	280°
22-20	9	16	0°	35°	110°	250°	325°
22-22	4	8	0°	-	110°	250°	-

ITS Series Insert Arrangements and Insert Positions							
Insert Arrg.	Contacts		A° Insert Positions				
	Qty	Size	N°	W°	X°	Y°	Z°
22-23	8	12	0°	35°	-	250°	-
22-27	8	16	0°	80°	-	250°	280°
	1	8					
22-28	7	12	0°	80°	-	-	280°
22-34	2	16	0°	80°	110°	250°	280°
	3	12					
22A-9	9	16	0°	60°	135°	250°	305°
22A-10	10	16	0°	-	120°	240°	-
22A-37	37	18	0°	80°	112°	250°	280°
24-2	7	12	0°	80°	-	-	280°
24-3	5	16	0°	80°	110°	250°	280°
	2	12					
24-5	16	16	0°	80°	110°	250°	280°
24-06	2	16	0°	-	-	-	-
	4	8					
24-6	8	12	0°	80°	110°	250°	280°
24-07	7	12	0°	80°	-	-	280°
24-7	14	16	0°	80°	110°	250°	280°
	2	12					
24-9	2	4	0°	35°	110°	250°	325°
24-10	7	8	0°	80°	-	-	280°
24-11	6	12	0°	35°	110°	250°	325°
	3	8					
24-12	3	12	0°	80°	110°	250°	280°
	2	4					
24-013	7	16	0°	-	-	-	-
	6	12					
24-19	12	16	0°	-	-	-	-
24-20	9	16	0°	80°	110°	250°	280°
	2	12					
24-21	9	16	0°	80°	110°	250°	280°
	1	8					
24-22	4	8	0°	45°	110°	250°	-
24-27	7	16	0°	80°	-	-	280°
24-28	24	16	0°	80°	110°	250°	280°
24-67	19	12	0°	80°	-	-	335°
24A-2	2	12	0°	35°	110°	250°	325°
24A-6	4	12	0°	42°	134°	262°	339°
	2	8					
24A-7	7	12	0°	80°	-	-	280°
24A-11	9	16	0°	35°	110°	250°	325°
	2	8					
24A-25	25	16	0°	80°	110°	250°	280°
24A-28	28	16	0°	65°	146°	235°	-
24A-55	55	18	0°	80°	110°	250°	280°
28-1	6	12	0°	80°	110°	250°	280°
	3	8					

Dimensions in inches (millimeters) and are subject to change without notice.



ITS Series, VG 95234 Insert Arrangements and Insert Positions for Filter Connectors

B

ITS Series Insert Arrangements and Insert Positions							
Insert Arrg.	Contacts		A° Insert Positions				
	Qty	Size	N°	W°	X°	Y°	Z°
28-2	12	16	0°	35°	110°	250°	325°
	2	12					
28-3	3	8	0°	70°	145°	215°	290°
28-5	2	16	0°	35°	110°	250°	325°
	1	12					
	2	4					
28-6	3	4	0°	70°	145°	215°	290°
28-9	6	16	0°	80°	110°	250°	280°
	6	12					
28-10	3	12	0°	80°	110°	250°	280°
	2	8					
	2	4					
28-11	18	16	0°	80°	110°	250°	280°
	4	12					
28-12	26	16	0°	90°	180°	270°	-
28-15	35	16	0°	80°	110°	250°	280°
28-16	20	16	0°	80°	110°	250°	280°
28-17	15	16	0°	80°	110°	250°	280°
28-18	12	16	0°	70°	145°	215°	390°
28-19	6	16	0°	80°	110°	250°	280°
	4	12					
28-20	4	16	0°	80°	110°	250°	280°
	10	12					
28-21	37	16	0°	80°	110°	250°	280°
28-22	3	16	0°	70°	145°	215°	290°
	3	4					
28-59	10	16	0°	35°	110°	250°	325°
	7	12					
28A-9	5	16	0°	110°	250°	260°	280°
	4	4					
28A-10	10	12	0°	80°	135°	195°	-
28A-14	14	12	0°	35°	90°	-	-
28A-31	13	16	0°	35°	-	260°	210°
	18	12					
32-1	3	12	0°	80°	110°	250°	280°
	2	0					
32-2	2	16	0°	70°	145°	215°	290°
	3	4					
32-3	4	16	0°	80°	110°	250°	280°
	2	12					
	2	4					
	1	0					
32-5	2	0	0°	35°	110°	250°	325°
32-6	16	16	0°	80°	110°	250°	280°
	2	12					
	3	8					
	2	4					

ITS Series Insert Arrangements and Insert Positions							
Insert Arrg.	Contacts		A° Insert Positions				
	Qty	Size	N°	W°	X°	Y°	Z°
32-7	28	16	0°	80°	125°	235°	280°
	12	12					
32-8	24	16	0°	80°	125°	235°	280°
	6	12					
32-9	12	16	0°	80°	110°	250°	280°
	2	4					
32-013	13	12	0°	65°	130°	230°	295°
32-13	18	16	0°	80°	110°	250°	280°
	5	12					
32-15	16	16	0°	35°	110°	250°	280°
	16	16					
32-17	4	4	0°	45°	110°	250°	-
32-22	54	16	0°	80°	110°	250°	280°
32-31	31	16	0°	-	125°	215°	280°
32-59	40	16	0°	36°	108°	252°	324°
	2	8					
32-68	12	16	0°	65°	135°	225°	275°
	4	4					
32-76	19	12	0°	80°	110°	250°	280°
32-101	101	20	0°	30°	142°	-	-
32A-3	3	4	0°	22°	44°	75°	98°
32A-5	5	4	0°	90°	180°	270°	-
32A-8	8	8	0°	35°	122°	-	315°
32A-13	13	12	0°	65°	130°	230°	295°
32A-14	14	16	0°	35°	90°	-	-
32A-22	20	16	0°	55°	135°	230°	295°
	2	0					
32A-25	25	12	0°	60°	120°	-	-
32A-27	17	16	0°	30°	115°	285°	335°
	10	8					
32A-30	20	16	0°	65°	-	-	-
	10	8					
32A-40	40	16	0°	35°	130°	-	-
32A-48	48	16	0°	80°	125°	235°	280°
32A-55	55	16	0°	80°	110°	250°	280°
32A-69	41	20	0°	-	110°	250°	-
	20	16					
36-3	3	12	0°	70°	145°	215°	290°
	3	0					
36-4	3	0	0°	70°	145°	215°	290°
36-5	4	0	0°	45°	120°	240°	-
	4	4					
36-6	2	0	0°	-	110°	250°	325°
	4	4					
36-7	40	16	0°	80°	110°	250°	280°
	7	12					

Dimensions in inches (millimeters) and are subject to change without notice.

ITS Series, VG 95234 Insert Arrangements and Insert Positions for Filter Connectors



Series ITS
VG 95234 Type

B

ITS Series Insert Arrangements and Insert Positions							
Insert Arrg.	Contacts		A° Insert Positions				
	Qty	Size	N°	W°	X°	Y°	Z°
36-8	46	16	0°	80°	110°	250°	280°
	1	12					
36-9	14	16	0°	80°	125°	235°	280°
	14	12					
	2	8					
	1	4					
36-10	48	16	0°	80°	110°	235°	280°
36-14	6	16	0°	90°	180°	270°	-
	5	12					
	5	8					
36-15	35	16	0°	60°	125°	245°	305°
36-22	22	12	0°	70°	145°	215°	290°
36A-2	2	0	0°	70°	145°	215°	290°
36A-10	8	8	0°	70°	145°	215°	290°
	2	4					
36A-22	22	12	0°	80°	110°	250°	280°
36A-48	48	16	0°	65°	-	-	-
36A-51	1	16	0°	45°	135°	225°	315°
	2	4					
	3	0					
36A-61	4	12	0°	80°	-	-	280°
	2	4					
36A-72	52	18	0°	-	110°	-	-
	16	16					
	4	12					
36B-78	2	16	0°	35°	106°	254°	325°
	12	8					
36D-78	4	16	0°	35°	106°	254°	325°
	10	8					
40-1	24	16	0°	65°	130°	235°	300°
	6	12					
40-9	24	16	0°	65°	125°	225°	310°
	22	12					
	1	8					
40-10	16	16	0°	65°	125°	225°	310°
	9	8					
	4	4					
40-26	19	12	0°	80°	110°	250°	280°
	7	8					
40-31	31	12	0°	80°	110°	250°	280°
40-35	35	12	0°	70°	130°	230°	290°
40-47	24	16	0°	65°	125°	225°	310°
	22	12					
	1	8					
	1	8					
40-53	60	16	0°	80°			280°
40-56	85	16	0°	72°	144°	216°	288°
40-63	61	16	0°	80°	-	-	280°

ITS Series Insert Arrangements and Insert Positions							
Insert Arrg.	Contacts		A° Insert Positions				
	Qty	Size	N°	W°	X°	Y°	Z°
40-150	150	18	0°	-	-	-	-
	26	16	0°	-	-	-	-
25	12						
40A-3	2	12	0°	50°	145°	215°	290°
	3	0					
40A-4	2	12	0°	33°	120°	240°	325°
	4	0					
40A-5	1	12	0°	108°	-	-	270°
	1	4					
	3	0					
40A-7	2	12	0°	35°	-	-	-
	5	0					
40A-8	4	16	0°	80°	110°	250°	325°
	4	0					
40A-10	4	16	0°	-	-	-	-
	4	4					
40A-14	6	12	0°	80°	135°	195°	-
	8	4					
40A-20	18	12	0°	50°	110°	250°	280°
	2	8					
40A-21	20	12	0°	50°	130°	260°	280°
	1	4					
40A-24	16	12	0°	27°	-	-	-
	8	8					
40A-25	24	12	0°	50°	130°	260°	280°
	1	4					
40A-27	25	12	0°	45°	110°	250°	315°
	2	4					
40A-30	29	12	0°	30°	-	-	295°
	1	4					
40A-31	31	12	0°	80°	110°	250°	280°
40A-35	35	12	0°	70°	130°	230°	290°
40A-47	24	16	0°	65°	125°	225°	310°
	22	12					
	1	8					
40A-56	85	16	0°	72°	144°	216°	288°
40A-60	60	16	0°	80°	110°	250°	280°
40A-62	60	16	0°	80°	130°	230°	280°
	2	8					
40A-100	100	18	0°	30°	105°	230°	315°
40A-130	114	18	0°	45°	113°	-	309°
	12	16					
	4	12					
40B-19	19	8	0°	35°	105°	225°	325°
40B-37	37	12	0°	30°	135°	-	-
40D-4	4	8	0°	45°	110°	-	-
40D-37	37	12	0°	80°	110°	250°	280°

Dimensions in inches (millimeters) and are subject to change without notice.

© 2013 Glenair, Inc.

U.S. CAGE Code 06324

Printed in U.S.A.