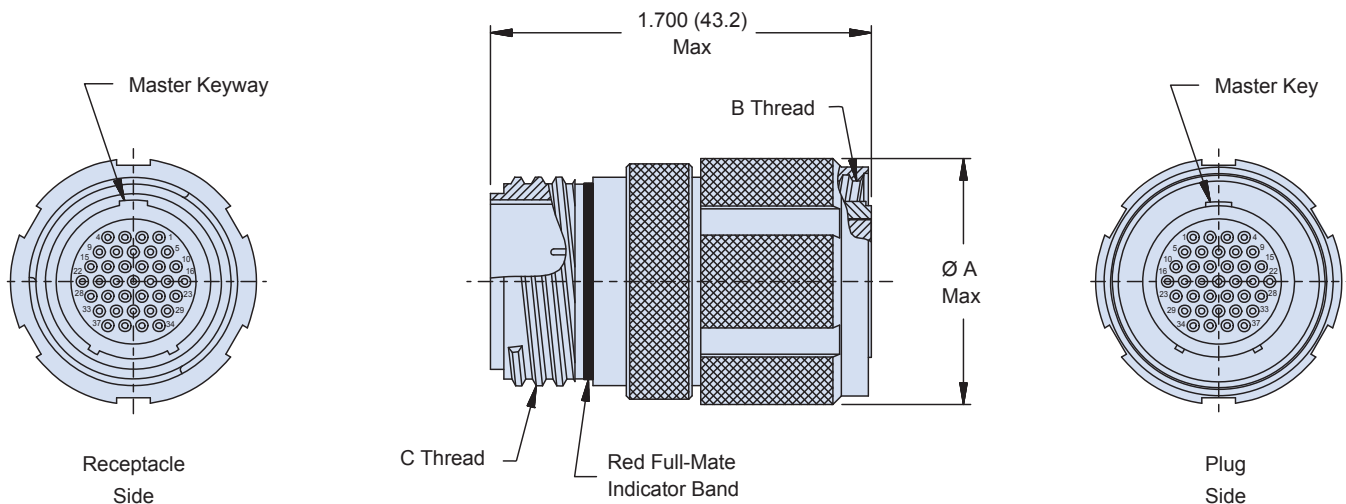


## MIGHTY MOUSE TRIPLE-START CONNECTOR ADAPTER

How To Order								
Sample Part Number	240-805-	AA	M	8-7	PS	P	A	A
Filter Connector	Series 805 Mighty Mouse Triple-Start							
Shell Style	AA = Adapter							
Shell Material/Finish	See Table I							
Insert Arrangement	See pages C-3 – C-7							
Contact Gender	PS = Pins, Plug Side SP = Sockets, Plug Side (See Note 2)							
Filter Type	P = Pi Circuit C = C Circuit (See Note 1)							
Capacitance	See Table II							
Alternate Key Position	A, B, C, D, E, F, U A = Normal, U = Universal (See page C-2)							



### Notes

- Other filter styles (C-L, L-C, Unbalanced Pi, Multi-Stage, Multi-Value) are available, please consult the factory.
- Please consult factory for Pin/Pin and/or Socket/Socket contact arrangements.

Dimensions in inches (millimeters) and are subject to change without notice.

**240-805-AA**  
**Series 805 Mighty Mouse Filter Connector**  
**Adapter with Triple-Start ACME Coupling Threadst**



Table I: Connector Class		
Sym	Material	Finish Description
M	Aluminum	Electroless Nickel
MT		Ni-PTFE 1000 Hour Grey™ Nickel Fluorocarbon Polymer
NF		Cadmium, Olive Drab over Electroless Nickel
ZN		Zinc-Nickel, Olive Drab
ZR		Zinc-Nickel, Black - RoHS
ZL	Stainless Steel	Electro-Deposited Nickel

Table II: Capacitor Array Code Capacitance Range		
Class	Pi - Circuit (pF)	C - Circuit (pF)
A	38,000 - 56,000	19,000 - 28,000
B	32,000 - 45,000	16,000 - 22,500
C	18,000 - 33,000	9,000 - 16,500
D	8,000 - 12,000	4,000 - 6,000
E	3,300 - 5,000	1,650 - 2,500
F	800 - 1,300	400 - 650
G	400 - 600	200 - 300
J	70 - 120	35 - 60

Table III: Dimensions			
Shell Size	Ø A Max	B Thread	C Thread
8	.870 (22.1)	.5000-.1P-.3L-TS-2B	.5000-.1P-.3L-TS-2A
9	.930 (23.6)	.5625-.1P-.3L-TS-2B	.5625-.1P-.3L-TS-2A
10	1.000 (25.4)	.6250-.1P-.3L-TS-2B	.6250-.1P-.3L-TS-2A
11	1.170 (29.7)	.6875-.1P-.3L-TS-2B	.6875-.1P-.3L-TS-2A
12	1.170 (29.7)	.7500-.1P-.3L-TS-2B	.7500-.1P-.3L-TS-2A
13	1.300 (33.0)	.8125-.1P-.3L-TS-2B	.8125-.1P-.3L-TS-2A
15	1.350 (34.3)	.9375-.1P-.3L-TS-2B	.9375-.1P-.3L-TS-2A
18	1.600 (40.6)	1.1250-.1P-.3L-TS-2B	1.1250-.1P-.3L-TS-2A
19	1.600 (40.6)	1.1875-.1P-.3L-TS-2B	1.1875-.1P-.3L-TS-2A
21	1.750 (44.5)	1.3125-.1P-.3L-TS-2B	1.3125-.1P-.3L-TS-2A
23	1.850 (47.0)	1.4375-.1P-.3L-TS-2B	1.4375-.1P-.3L-TS-2A

Dimensions in inches (millimeters) and are subject to change without notice.