

# Series 80 Mighty Mouse Filter Connector Contact Arrangements



Series 80 Mighty Mouse Contact Arrangements								
Contact Size	Contact Quantity					Contact Arrangements		
	#23	#20	#20HD	#16	#12	Series 801	Series 804	Series 805
Size #23 Contacts 5 Amp Max	3					5-3	5-3	N/A
	4					6-4	6-4	8-4
	6					6-6	6-6	8-6
	7					6-7	6-7	8-7
	10					7-10	7-10	9-10
	13					8-13	8-13	10-13
	19					9-19	9-19	11-19
	26					10-26	10-26	12-26
	31					11-31	11-31	13-31
	37					13-37	12-37	15-37
	55					16-55	14-55	18-55
	85					17-85	15-85	19-85
	100					19-100	N/A	21-100
130					21-130	N/A	23-130	
Size #20HD Contacts 7.5 Amp Max			3			6-23	6-23	8-23
			5			7-25	7-25	9-25
			8			8-28	8-28	10-28
			10			9-210	9-210	11-210
			20			13-220	12-220	15-220
			35			16-235	14-235	18-235
			41			17-241	15-241	19-241
			55			19-255	N/A	21-255
Size #16 Contacts 13 Amp Max				1		6-1	6-1	8-1
				2		8-2	8-2	10-2
				4		9-4	9-4	11-4
				5		10-5	10-5	12-5
				7		13-7	12-7	15-7
				12		16-12	14-12	18-12
				14		17-14	15-14	19-14
				19		19-19	N/A	21-19
Size #12 Contacts 23 Amp Max					1	7-1	7-1	9-1
					2	10-2	10-2	12-2
					2	13-2	12-2	15-2
					3	13-3	12-3	15-3
					5	16-5	14-5	18-5
					7	17-7	15-7	19-7
					12	21-12	N/A	23-12
Mixed Size "Combo" Layouts	4	2				8-200	8-200	10-200
	8	2				9-201	9-201	11-201
	4			2		9-200	9-200	11-200
	8			2		10-202	10-202	12-202
	4				2	10-201	10-201	12-201
	6				2	13-200	12-200	15-200
	10				2	13-201	12-201	15-201
	12				1	10-200	10-200	12-200

Dimensions in inches (millimeters) and are subject to change without notice.

## Series 80 Mighty Mouse Filter Connector Contact Arrangements (Pin Front View) with Printed Circuit Board Dimensions

Series 801	5-3	6-4	6-6	6-7	6-23	6-1
Series 804	5-3	6-4	6-6	6-7	6-23	6-1
Series 805	N/A	8-4	8-6	8-7	8-23	8-1
Series 801	7-10	7-25	7-1	8-13	8-28	
Series 804	7-10	7-25	7-1	8-13	8-28	
Series 805	9-10	9-25	9-1	10-13	10-28	
Series 801	8-2	8-200	9-19	9-4	9-210	9-200
Series 804	8-2	8-200	9-19	9-4	9-210	9-200
Series 805	10-2	10-200	11-19	11-4	11-210	11-200
Series 801	9-201	10-26	10-5	10-2		
Series 804	9-201	10-26	10-5	10-2		
Series 805	11-201	12-26	12-5	12-2		

Dimensions in inches (millimeters) and are subject to change without notice.

# Series 80 Mighty Mouse Filter Connector Contact Arrangements (Pin Front View) with Printed Circuit Board Dimensions



Series 801	10-200	10-201	10-202	11-31	13-37
Series 804	10-200	10-201	10-202	11-31	12-37
Series 805	12-200	12-201	12-202	13-31	15-37
Series 801	13-7	13-2	13-3	13-200	13-201
Series 804	12-7	12-2	12-3	12-200	12-201
Series 805	15-7	15-2	15-3	15-200	15-201
Series 801	13-220	16-55	14-55	16-235	
Series 804	12-220	14-55	14-55	14-235	
Series 805	15-220	18-55	18-55	18-235	

Dimensions in inches (millimeters) and are subject to change without notice.

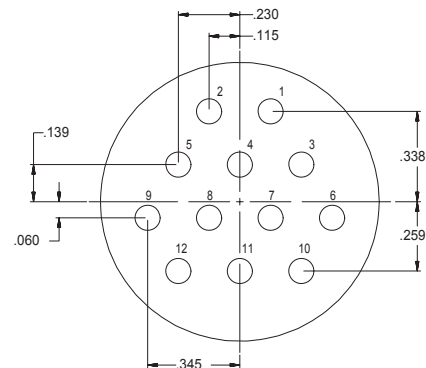
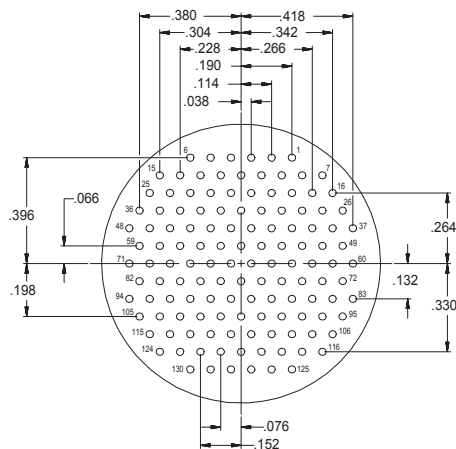


## Series 80 Mighty Mouse Filter Connector Contact Arrangements (Pin Front View) with Printed Circuit Board Dimensions

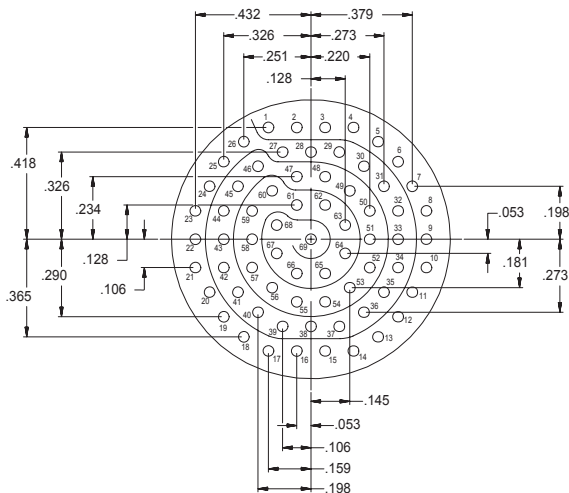
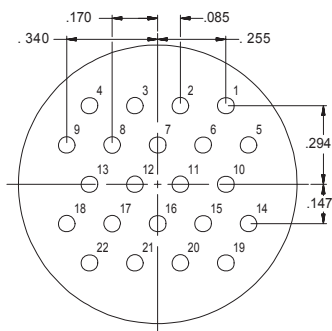
<b>Series 801</b>	16-5	16-12	17-7	17-14
<b>Series 804</b>	14-5	14-12	15-7	15-14
<b>Series 805</b>	18-5	18-12	19-7	19-14
<b>Series 801</b>	17-85	17-241		
<b>Series 804</b>	15-85	15-241		
<b>Series 805</b>	19-85	19-241		
<b>Series 801</b>	19-100	19-255	19-19	
<b>Series 804</b>	N/A	N/A	N/A	
<b>Series 805</b>	21-100	21-255	21-19	

Dimensions in inches (millimeters) and are subject to change without notice.

# Series 80 Mighty Mouse Filter Connector Contact Arrangements (Pin Front View) with Printed Circuit Board Dimensions



Series 801	21-130	21-12
Series 804	N/A	N/A
Series 805	23-130	23-12



Series 801	21-22	21-269
Series 804	N/A	N/A
Series 805	23-22	23-269

Dimensions in inches (millimeters) and are subject to change without notice.