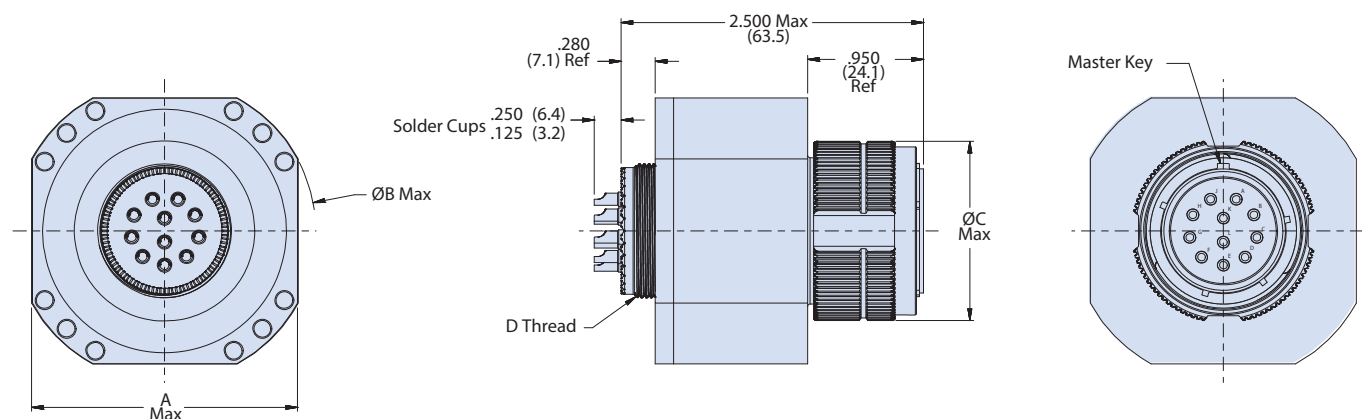




242-383P MIL-DTL-38999 Series III Type TVS Connector Plug with Solder Cup Contacts

D38999 SERIES III TYPE TVS PLUG WITH SOLDER CUP CONTACTS

How To Order									
Sample Part Number	242-383	P	-XXXX	NF	19-11	P	S	N	N
TVS Connector	MIL-DTL-38999 Series III								
Shell Style	P = Plug								
Diode Net List	Assigned by Glenair. See Table V								
Material and Finish	See Table II								
Insert Arrangement	IAW MIL-STD-1560								
Contact Gender	P = Pin S = Socket								
Termination	S = Solder Cup								
Flange Mounting Style	N = Not Applicable								
Alternate Key Position	A, B, C, D, E, N = Normal, U = Universal (Do not mate Universal with Universal receptacle)								



Notes

- Materials/Finishes: Shell Housing & Coupling Nut: See Table II
Ground Spring: Beryllium Copper Alloy/Electroless Nickel
Insulators: High grade rigid dielectric
Seals: Fluorosilicone
Contacts: Copper Alloy/Gold over Nickel per ASTM B 488
- Assembly to be identified with Glenair's name, part number, and date code - space permitting.
- Insert Arrangement in accordance with MIL-STD-1560. (Arrangement shown for reference only)
- Electrical Performance: Specific diode voltage code options per Table III. Diode wattage based on 10 x 1000 uS peak pulse power waveform.
Clamping Time: Less than 1 picosecond, 0V to min. breakdown.
- Glenair will assign a diode net list code and provide a separate net list drawing containing specific electrical requirements. Fill out applicable columns of Table V and return.
- Consult factory for low capacitance, ground requirements, power ratings above 5000W, special test requirements, or other modifications.
- Operating temperature: -55°C to +150°C

Dimensions in inches (millimeters) and are subject to change without notice.

242-383P
MIL-DTL-38999 Series III Type TVS Connector
Plug with Solder Cup Contacts

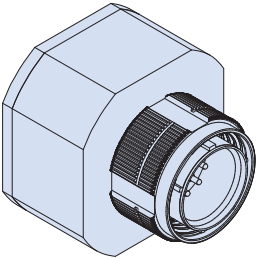
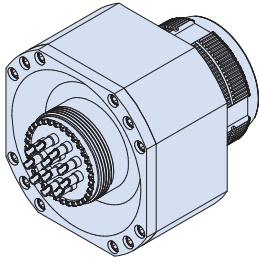


Table I: Dimensions

Shell Size	A Max	ØB Max	ØC Max	D Thread
9	1.000 (25.4)	1.300 (33.0)	.858 (21.8)	M12 X 1.0-6g 0.100R
11	1.400 (35.6)	1.700 (43.2)	.984 (25.0)	M15 X 1.0-6g 0.100R
13	1.700 (43.2)	2.000 (50.8)	1.157 (29.4)	M18 X 1.0-6g 0.100R
15	1.700 (43.2)	2.000 (50.8)	1.280 (32.5)	M22 X 1.0-6g 0.100R
17	2.000 (50.8)	2.300 (58.4)	1.406 (35.7)	M25 X 1.0-6g 0.100R
19	2.200 (55.9)	2.500 (63.5)	1.516 (38.5)	M28 X 1.0-6g 0.100R
21	2.300 (58.4)	2.600 (66.0)	1.642 (41.7)	M31 X 1.0-6g 0.100R
23	2.600 (66.0)	2.900 (73.7)	1.768 (44.9)	M34 X 1.0-6g 0.100R
25	2.900 (73.7)	3.200 (81.3)	1.890 (48.0)	M37 X 1.0-6g 0.100R

Table II: Material and Finish

Sym	Material	Finish Description
ME	Aluminum	Electroless Nickel
MT		Ni-PTFE 1000 Hour Grey™ Nickel Fluorocarbon Polymer
NF		Cadmium O.D. Over Electroless Nickel
ZN		Zinc-Nickel, Olive Drab
ZNU		Zinc Nickel, Black
ZR		Zinc Nickel, Black - RoHS
ZL		Stainless Steel

Dimensions in inches (millimeters) and are subject to change without notice.

