

## 107-105 100% ArmorLite Microfilament Braid Configurable Crimp Lugs



HOW TO ORDER							
Sample Part Number	107-105	S	-RD	-64	A	E	-6 S
Product Series	100% ArmorLite ground strap						
Braid Layers	S = Single D = Double						
Lug Configuration	-SQ = Square Lugs -RD = Radiused Lugs -RA = Right-Angle Lugs -DRU = Double Right-Angle Lugs, Up-Up						
Size Code	12 – 64, See Dimensions Tables						
Lug 1 Hole	A – M, See Table. If two different sized lug holes are required, specify smaller lug hole in this location.						
Lug 2 Hole	A – M, See Table						
Length	In inches						
Insulation Sleeving	S = Black sleeving over braid C = Clear sleeving over braid Omit = No sleeving						



### GROUND STRAP FEATURES

- For grounding airframe sections, dissipating static build-up in composite structures, dissipating lightning strike energy, and grounding individual moving parts
- 70+% weight savings over standard NiCu braid
- Approved for use by major airframe and equipment manufacturers
- Lightweight, durable, configurable crimp lugs: square, radiused, straight, single- and double-right-angle versions
- Available black or clear sleeving over braid

### MATERIAL/FINISH

- ArmorLite, stainless steel 316L / nickel plate
- Lugs - Copper / nickel plate per AMS-C-26074
- Sleeving - per M23053 or equivalent

### LUG HOLE SIZE CODES

Hole Size Code	Ø C	Stud Size (Ref.)
A	.114/.122 (2.90/3.10)	#4
B	.142/.152 (3.61/3.86)	#6
C	.168/.178 (4.27/4.52)	#8
D	.193/.203 (4.90/5.16)	#10
E	.260/.275 (6.60/6.99)	1/4
F	.323/.338 (8.20/8.59)	5/16
G	.385/.400 (9.78/10.16)	3/8
H	.448/.463 (11.38/11.76)	7/16
J	.510/.525 (12.95/13.34)	1/2
K	.573/.588 (14.55/14.94)	9/16
L	.651/.666 (16.54/16.92)	5/8
M	.770/.785 (19.56/19.94)	3/4

### SINGLE-LAYER ARMORLITE GROUND STRAP

Size Code	Nom. Resistance mΩm/m	Max. Lug Code	Braid Weight (g/m)
12	54.0	B	11.5
16	36.0	D	16.5
20	35.0	E	18.0
24	27.5	F	21.5
32	14.5	G	43.0
40	12.5	J	52.5
48	10.0	L	64.5
64	7.0	M	85.0

### DOUBLE-LAYER ARMORLITE GROUND STRAP

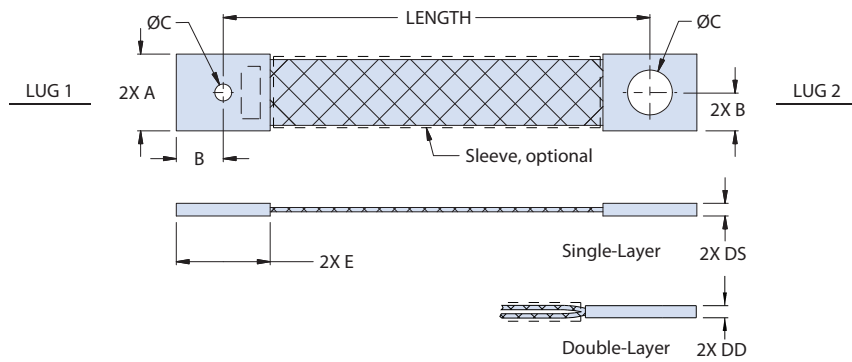
Size Code	Nom. Resistance mΩm/m	Max. Lug Code	Braid Weight (g/m)
12	27.0	B	23.0
16	18.0	D	33.0
20	17.5	E	36.0
24	14.0	F	43.0
32	7.5	G	86.0
40	6.5	J	105.0
48	5.0	L	129.0
64	3.5	M	170.0

### NOTES

- Lug hole sizes may differ from each other depending on the part number development. Smaller lug hole diameter specified in "Lug 1" location in the part number. (Not applicable for RA right-angle lug configurations)
- Lug holes IAW AS7928
- Length tolerance: ± .250 inches (6.35 mm) up to 12 inches, or ± 2% for lengths > than 12".
- Consult Glenair for Ground Straps with larger cross-sectional area and braid gauge
- Ground Straps identified with Glenair name, P/N, and date code, space permitting

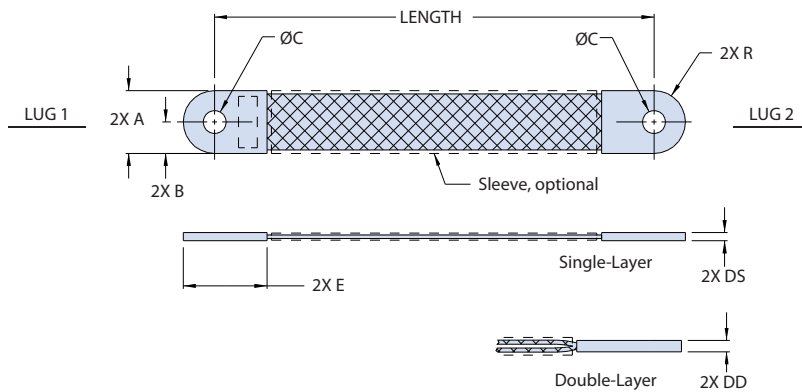
## 107-105 100% ArmorLite Microfilament Braid Square Lugs / Radiused Lugs

### SQ - SQUARE LUG DIMENSIONS



Size Code	A		B		DS (Single-Layer)		DD (Double-Layer)		E	
	In.	mm	In.	mm	In.	mm	In.	mm	In.	mm
12	.240	6.10	.120	3.05	.052	1.32	.060	1.52	.240	6.10
16	.330	8.38	.165	4.19	.054	1.37	.062	1.57	.330	8.38
20	.410	10.41	.205	5.21	.072	1.83	.080	2.03	.410	10.41
24	.530	13.46	.265	6.73	.072	1.83	.080	2.03	.530	13.46
32	.740	18.80	.370	9.40	.088	2.24	.100	2.54	.740	18.80
40	.830	21.08	.415	10.54	.098	2.49	.110	2.79	.830	21.08
48	1.000	25.40	.500	12.70	.100	2.54	.115	2.92	1.000	25.40
64	1.180	29.97	.590	14.99	.100	2.54	.115	2.92	1.180	29.97

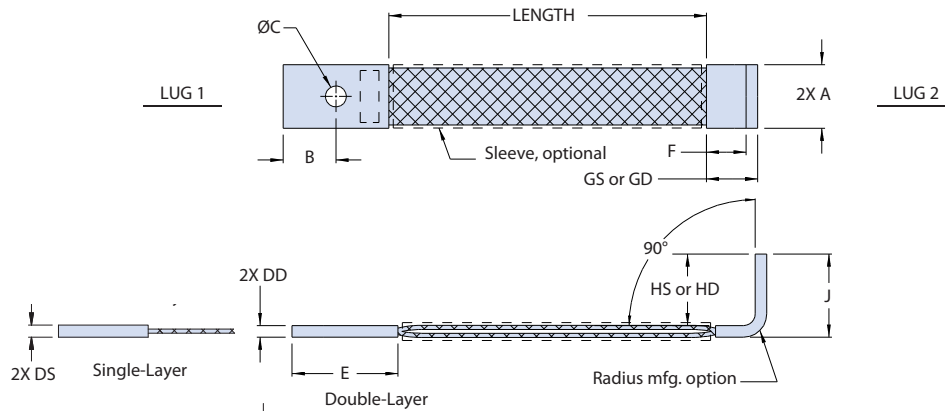
### RD - RADIUSED LUG DIMENSIONS



Size Code	A		B		DS (Single-Layer)		DD (Double-Layer)		E		R	
	In.	mm	In.	mm	In.	mm	In.	mm	In.	mm	In.	mm
12	.240	6.10	.120	3.05	.052	1.32	.060	1.52	.630	16.00	.120	3.05
16	.330	8.38	.165	4.19	.054	1.37	.062	1.57	.630	16.00	.165	4.19
20	.410	10.41	.205	5.21	.072	1.83	.080	2.03	.750	19.05	.205	5.21
24	.530	13.46	.265	6.73	.072	1.83	.080	2.03	.750	19.05	.265	6.73
32	.740	18.80	.370	9.40	.088	2.24	.100	2.54	1.000	25.40	.370	9.40
40	.830	21.08	.415	10.54	.098	2.49	.110	2.79	1.100	27.94	.415	10.54
48	1.000	25.40	.500	12.70	.100	2.54	.115	2.92	1.250	31.75	.500	12.70
64	1.180	29.97	.590	14.99	.100	2.54	.115	2.92	1.400	35.56	.590	14.99

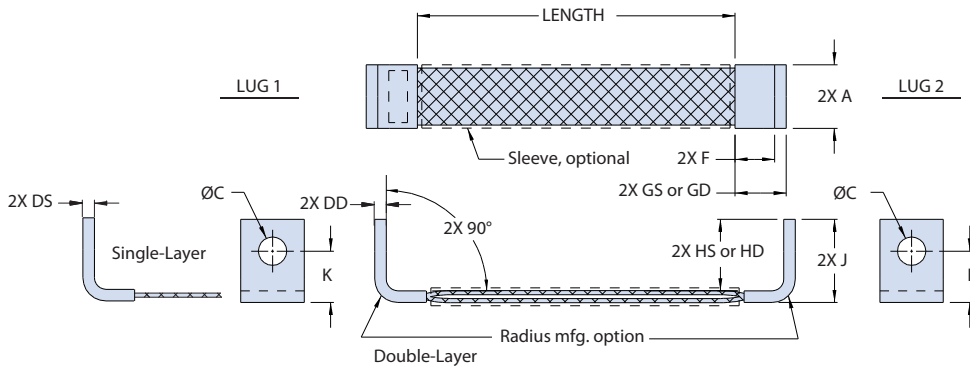
## 107-105 100% ArmorLite Microfilament Braid Single / Double Right-Angle Lugs

### RA - RIGHT-ANGLE LUG DIMENSIONS



Size Code	A		B		DS		DD		E		F Ref.		GS Ref. (Single-Layer)		GD Ref. (Double-Layer)		HS Ref. (Single-Layer)		HD Ref. (Double-Layer)		J		K Ref.	
	In.	mm	In.	mm	In.	mm	In.	mm	In.	mm	In.	mm	In.	mm	In.	mm	In.	mm	In.	mm	In.	mm	In.	mm
12	.240	6.10	.313	7.95	.052	1.32	.060	1.52	.630	16.00	.375	9.53	.427	10.85	.435	11.05	.600	15.24	.590	14.99	.650	16.51	.500	12.70
16	.330	8.38	.313	7.95	.054	1.37	.062	1.57	.630	16.00	.375	9.53	.429	10.90	.437	11.10	.650	16.51	.640	16.26	.700	17.78	.500	12.70
20	.410	10.41	.375	9.53	.072	1.83	.080	2.03	.750	19.05	.375	9.53	.447	11.35	.455	11.56	.680	17.27	.670	17.02	.750	19.05	.500	12.70
24	.530	13.46	.375	9.53	.072	1.83	.080	2.03	.750	19.05	.375	9.53	.447	11.35	.455	11.56	.830	21.08	.820	20.83	.900	22.86	.625	15.88
32	.740	18.80	.425	10.80	.088	2.24	.100	2.54	.850	21.59	.375	9.53	.463	11.76	.475	12.07	.910	23.11	.900	22.86	1.000	25.40	.625	15.88
40	.830	21.08	.550	13.97	.098	2.49	.110	2.79	1.100	27.94	.500	12.70	.598	15.19	.610	15.49	1.050	26.67	1.040	26.42	1.150	29.21	.750	19.05
48	1.000	25.40	.625	15.88	.100	2.54	.115	2.92	1.250	31.75	.500	12.70	.600	15.24	.615	15.62	1.150	29.21	1.140	28.96	1.250	31.75	.750	19.05
64	1.180	29.97	.700	17.78	.100	2.54	.115	2.92	1.400	35.56	.500	12.70	.600	15.24	.615	15.62	1.250	31.75	1.240	31.50	1.350	34.29	.750	19.05

### DRU - DOUBLE RIGHT-ANGLE (UP-UP) LUGS DIMENSIONS



Size Code	A		DS		DD		F Ref.		GS Ref. (Single-Layer)		GD Ref. (Double-Layer)		HS Ref. (Single-Layer)		HD Ref. (Double-Layer)		J		K Ref.	
	In.	mm	In.	mm	In.	mm	In.	mm	In.	mm	In.	mm	In.	mm	In.	mm	In.	mm	In.	mm
12	.240	6.10	.052	1.32	.060	1.52	.375	9.53	.427	10.85	.435	11.05	.600	15.24	.590	14.99	.650	16.51	.500	12.70
16	.330	8.38	.054	1.37	.062	1.57	.375	9.53	.429	10.90	.437	11.10	.650	16.51	.640	16.26	.700	17.78	.500	12.70
20	.410	10.41	.072	1.83	.080	2.03	.375	9.53	.447	11.35	.455	11.56	.680	17.27	.670	17.02	.750	19.05	.500	12.70
24	.530	13.46	.072	1.83	.080	2.03	.375	9.53	.447	11.35	.455	11.56	.830	21.08	.820	20.83	.900	22.86	.625	15.88
32	.740	18.80	.088	2.24	.100	2.54	.375	9.53	.463	11.76	.475	12.07	.910	23.11	.900	22.86	1.000	25.40	.625	15.88
40	.830	21.08	.098	2.49	.110	2.79	.500	12.70	.598	15.19	.610	15.49	1.050	26.67	1.040	26.42	1.150	29.21	.750	19.05
48	1.000	25.40	.100	2.54	.115	2.92	.500	12.70	.600	15.24	.615	15.62	1.150	29.21	1.140	28.96	1.250	31.75	.750	19.05
64	1.180	29.97	.100	2.54	.115	2.92	.500	12.70	.600	15.24	.615	15.62	1.250	31.75	1.240	31.50	1.350	34.29	.750	19.05