

## 107-108 ArmorLite CF Microfilament Braid Configurable Crimp Lugs



| HOW TO ORDER         |   |   |     |     |   |   |    |   |
|----------------------|---|---|-----|-----|---|---|----|---|
| Sample Part Number   | 107-108   | S | -RD | -64 | A | E | -6 | S |
| Product Series       | ArmorLite CF ground strap   |   |     |     |   |   |    |   |
| Braid Layers         | S = Single D = Double   |   |     |     |   |   |    |   |
| Lug Configuration    | -SQ = Square Lugs -RD = Radiused Lugs<br>-RA = Right-Angle Lugs<br>-DRU = Double Right-Angle Lugs, Up-Up    |   |     |     |   |   |    |   |
| Size Code            | 12 – 64, See Dimensions Tables  |   |     |     |   |   |    |   |
| Lug 1 Hole           | A – M, See Table. If two different sized lug holes are required, specify smaller lug hole in this location. |   |     |     |   |   |    |   |
| Lug 2 Hole           | A – M, See Table  |   |     |     |   |   |    |   |
| Length               | In inches   |   |     |     |   |   |    |   |
| Insulation Sleevings | S = Black sleeving over braid C = Clear sleeving over braid<br>Omit = No sleeving                           |   |     |     |   |   |    |   |



### GROUND STRAP FEATURES

- Broad temperature tolerance, -80°C to +300°C
- Corrosion / harsh environment resistant
- For grounding airframe sections, dissipating static build-up in composite structures, dissipating lightning strike energy, and grounding individual moving parts
- 70% reduced weight vs. standard NiCu braid
- Lightweight, durable, configurable crimp lugs: square, radiused, straight, single- and double-right-angle versions
- Available black or clear sleeving over braid

### MATERIAL/FINISH

- ArmorLite CF, copper-stainless steel 316L
- Lugs - Stainless steel / nickel plate per AMS-C-26074
- Sleevings - per M23053 or equivalent

| LUG HOLE SIZE CODES |                            |                  |
|---------------------|----------------------------|------------------|
| Hole Size Code      | Ø C                        | Stud Size (Ref.) |
| A                   | .114/.122<br>(2.90/3.10)   | #4               |
| B                   | .142/.152<br>(3.61/3.86)   | #6               |
| C                   | .168/.178<br>(4.27/4.52)   | #8               |
| D                   | .193/.203<br>(4.90/5.16)   | #10              |
| E                   | .260/.275<br>(6.60/6.99)   | 1/4              |
| F                   | .323/.338<br>(8.20/8.59)   | 5/16             |
| G                   | .385/.400<br>(9.78/10.16)  | 3/8              |
| H                   | .448/.463<br>(11.38/11.76) | 7/16             |
| J                   | .510/.525<br>(12.95/13.34) | 1/2              |
| K                   | .573/.588<br>(14.55/14.94) | 9/16             |
| L                   | .651/.666<br>(16.54/16.92) | 5/8              |
| M                   | .770/.785<br>(19.56/19.94) | 3/4              |

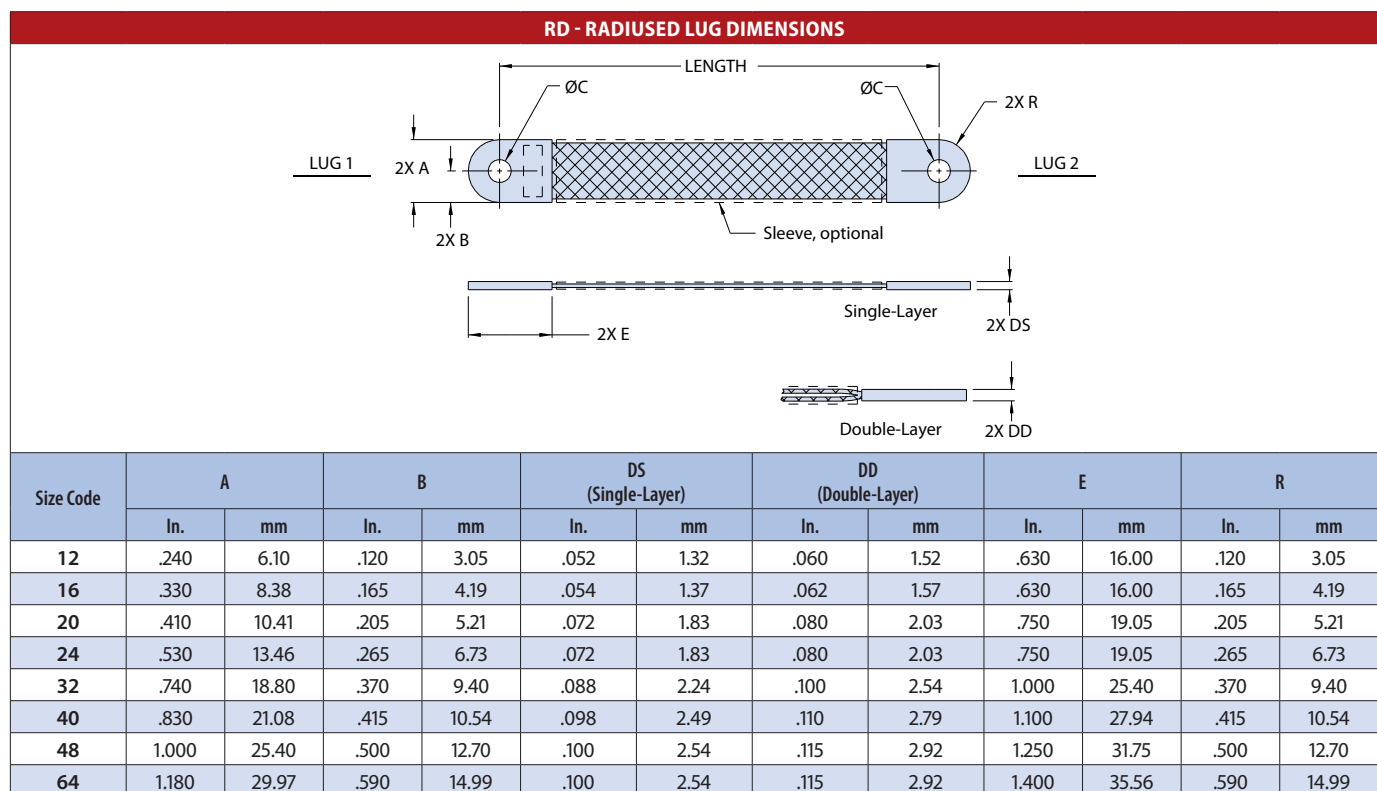
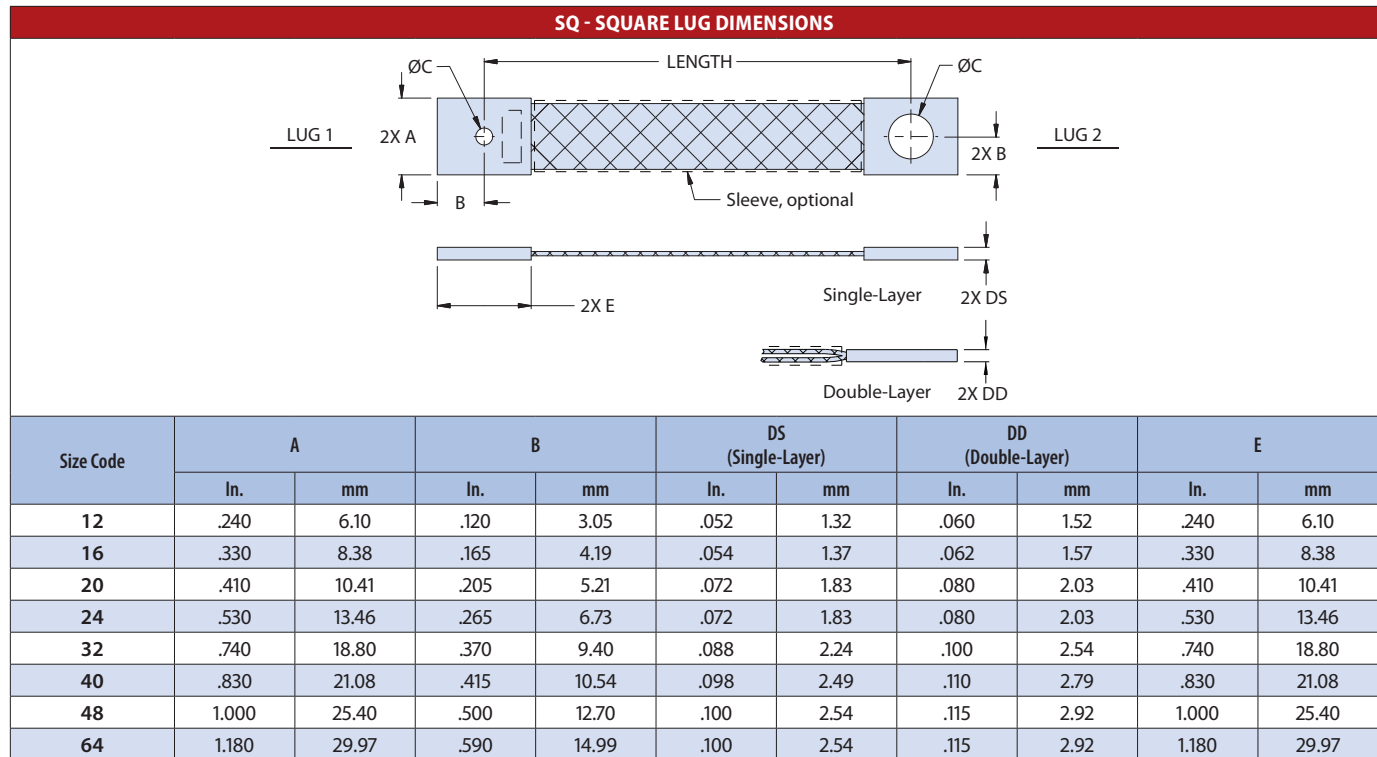
| SINGLE-LAYER ARMORLITE CF GROUND STRAP |                        |               |                    |
|--|------------------------|---------------|--------------------|
| Size Code                              | Nom. Resistance mOhm/m | Max. Lug Code | Braid Weight (g/m) |
| 12                                     | 28.0                   | B             | 14.0               |
| 16                                     | 19.5                   | D             | 20.0               |
| 20                                     | 16.0                   | E             | 21.0               |
| 24                                     | 13.0                   | F             | 28.0               |
| 32                                     | 6.0                    | G             | 52.5               |
| 40                                     | 4.0                    | J             | 59.0               |
| 48                                     | 3.5                    | L             | 76.0               |
| 64                                     | 2.5                    | M             | 104.5              |

| DOUBLE-LAYER ARMORLITE CF GROUND STRAP |                        |               |                    |
|--|------------------------|---------------|--------------------|
| Size Code                              | Nom. Resistance mOhm/m | Max. Lug Code | Braid Weight (g/m) |
| 12                                     | 14.0                   | B             | 28.0               |
| 16                                     | 10.0                   | D             | 40.0               |
| 20                                     | 8.0                    | E             | 42.0               |
| 24                                     | 6.5                    | F             | 56.0               |
| 32                                     | 3.0                    | G             | 105.0              |
| 40                                     | 2.0                    | J             | 118.0              |
| 48                                     | 1.8                    | L             | 152.0              |
| 64                                     | 1.5                    | M             | 209.0              |

### NOTES

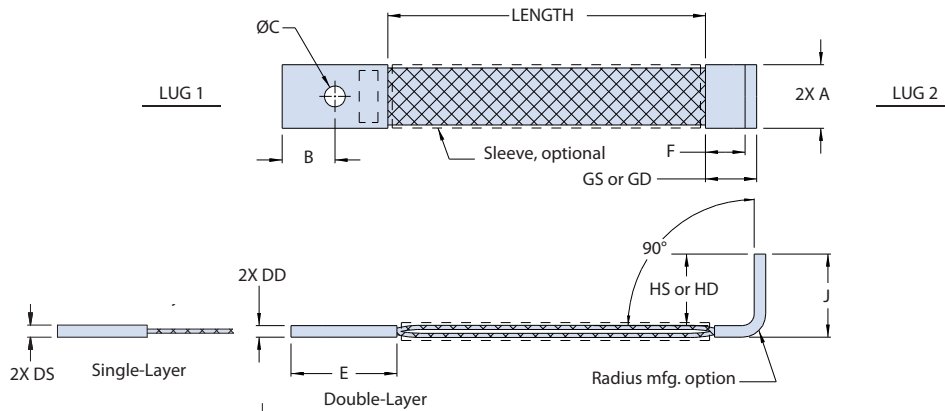
- Lug hole sizes may differ from each other depending on the part number development. Smaller lug hole diameter specified in "Lug 1" location in the part number. (Not applicable for RA right-angle lug configurations)
- Lug holes IAW AS7928
- Length tolerance: ± .250 inches (6.35 mm) up to 12 inches, or ± 2% for lengths > than 12".
- Consult Glenair for Ground Straps with larger cross-sectional area and braid gauge
- Ground Straps identified with Glenair name, P/N, and date code, space permitting

## 107-108 ArmorLite CF Microfilament Braid Square Lugs / Radiused Lugs



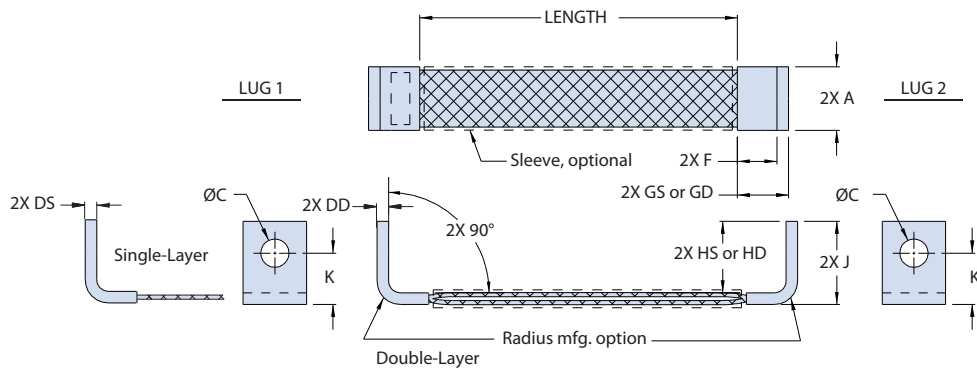
**107-108 ArmorLite CF Microfilament Braid  
 Single / Double Right-Angle Lugs**

**RA - RIGHT-ANGLE LUG DIMENSIONS**



| Size Code | A     |       | B    |       | DS   |      | DD   |      | E     |       | F Ref. |       | GS Ref.<br>(Single-Layer) |       | GD Ref.<br>(Double-Layer) |       | HS Ref.<br>(Single-Layer) |       | HD Ref.<br>(Double-Layer) |       | J     |       | K Ref. |       |
|-----------|-------|-------|------|-------|------|------|------|------|-------|-------|--------|-------|---------------------------|-------|---------------------------|-------|---------------------------|-------|---------------------------|-------|-------|-------|--------|-------|
|           | In.   | mm    | In.  | mm    | In.  | mm   | In.  | mm   | In.   | mm    | In.    | mm    | In.                       | mm    | In.                       | mm    | In.                       | mm    | In.                       | mm    | In.   | mm    | In.    | mm    |
| 12        | .240  | 6.10  | .313 | 7.95  | .052 | 1.32 | .060 | 1.52 | .630  | 16.00 | .375   | 9.53  | .427                      | 10.85 | .435                      | 11.05 | .600                      | 15.24 | .590                      | 14.99 | .650  | 16.51 | .500   | 12.70 |
| 16        | .330  | 8.38  | .313 | 7.95  | .054 | 1.37 | .062 | 1.57 | .630  | 16.00 | .375   | 9.53  | .429                      | 10.90 | .437                      | 11.10 | .650                      | 16.51 | .640                      | 16.26 | .700  | 17.78 | .500   | 12.70 |
| 20        | .410  | 10.41 | .375 | 9.53  | .072 | 1.83 | .080 | 2.03 | .750  | 19.05 | .375   | 9.53  | .447                      | 11.35 | .455                      | 11.56 | .680                      | 17.27 | .670                      | 17.02 | .750  | 19.05 | .500   | 12.70 |
| 24        | .530  | 13.46 | .375 | 9.53  | .072 | 1.83 | .080 | 2.03 | .750  | 19.05 | .375   | 9.53  | .447                      | 11.35 | .455                      | 11.56 | .830                      | 21.08 | .820                      | 20.83 | .900  | 22.86 | .625   | 15.88 |
| 32        | .740  | 18.80 | .425 | 10.80 | .088 | 2.24 | .100 | 2.54 | .850  | 21.59 | .375   | 9.53  | .463                      | 11.76 | .475                      | 12.07 | .910                      | 23.11 | .900                      | 22.86 | 1.000 | 25.40 | .625   | 15.88 |
| 40        | .830  | 21.08 | .550 | 13.97 | .098 | 2.49 | .110 | 2.79 | 1.100 | 27.94 | .500   | 12.70 | .598                      | 15.19 | .610                      | 15.49 | 1.050                     | 26.67 | 1.040                     | 26.42 | 1.150 | 29.21 | .750   | 19.05 |
| 48        | 1.000 | 25.40 | .625 | 15.88 | .100 | 2.54 | .115 | 2.92 | 1.250 | 31.75 | .500   | 12.70 | .600                      | 15.24 | .615                      | 15.62 | 1.150                     | 29.21 | 1.140                     | 28.96 | 1.250 | 31.75 | .750   | 19.05 |
| 64        | 1.180 | 29.97 | .700 | 17.78 | .100 | 2.54 | .115 | 2.92 | 1.400 | 35.56 | .500   | 12.70 | .600                      | 15.24 | .615                      | 15.62 | 1.250                     | 31.75 | 1.240                     | 31.50 | 1.350 | 34.29 | .750   | 19.05 |

**DRU - DOUBLE RIGHT-ANGLE (UP-UP) LUGS DIMENSIONS**



| Size Code | A     |       | DS   |      | DD   |      | F Ref. |       | GS Ref.<br>(Single-Layer) |       | GD Ref.<br>(Double-Layer) |       | HS Ref.<br>(Single-Layer) |       | HD Ref.<br>(Double-Layer) |       | J     |       | K Ref. |       |
|-----------|-------|-------|------|------|------|------|--------|-------|---------------------------|-------|---------------------------|-------|---------------------------|-------|---------------------------|-------|-------|-------|--------|-------|
|           | In.   | mm    | In.  | mm   | In.  | mm   | In.    | mm    | In.                       | mm    | In.                       | mm    | In.                       | mm    | In.                       | mm    | In.   | mm    | In.    | mm    |
| 12        | .240  | 6.10  | .052 | 1.32 | .060 | 1.52 | .375   | 9.53  | .427                      | 10.85 | .435                      | 11.05 | .600                      | 15.24 | .590                      | 14.99 | .650  | 16.51 | .500   | 12.70 |
| 16        | .330  | 8.38  | .054 | 1.37 | .062 | 1.57 | .375   | 9.53  | .429                      | 10.90 | .437                      | 11.10 | .650                      | 16.51 | .640                      | 16.26 | .700  | 17.78 | .500   | 12.70 |
| 20        | .410  | 10.41 | .072 | 1.83 | .080 | 2.03 | .375   | 9.53  | .447                      | 11.35 | .455                      | 11.56 | .680                      | 17.27 | .670                      | 17.02 | .750  | 19.05 | .500   | 12.70 |
| 24        | .530  | 13.46 | .072 | 1.83 | .080 | 2.03 | .375   | 9.53  | .447                      | 11.35 | .455                      | 11.56 | .830                      | 21.08 | .820                      | 20.83 | .900  | 22.86 | .625   | 15.88 |
| 32        | .740  | 18.80 | .088 | 2.24 | .100 | 2.54 | .375   | 9.53  | .463                      | 11.76 | .475                      | 12.07 | .910                      | 23.11 | .900                      | 22.86 | 1.000 | 25.40 | .625   | 15.88 |
| 40        | .830  | 21.08 | .098 | 2.49 | .110 | 2.79 | .500   | 12.70 | .598                      | 15.19 | .610                      | 15.49 | 1.050                     | 26.67 | 1.040                     | 26.42 | 1.150 | 29.21 | .750   | 19.05 |
| 48        | 1.000 | 25.40 | .100 | 2.54 | .115 | 2.92 | .500   | 12.70 | .600                      | 15.24 | .615                      | 15.62 | 1.150                     | 29.21 | 1.140                     | 28.96 | 1.250 | 31.75 | .750   | 19.05 |
| 64        | 1.180 | 29.97 | .100 | 2.54 | .115 | 2.92 | .500   | 12.70 | .600                      | 15.24 | .615                      | 15.62 | 1.250                     | 31.75 | 1.240                     | 31.50 | 1.350 | 34.29 | .750   | 19.05 |