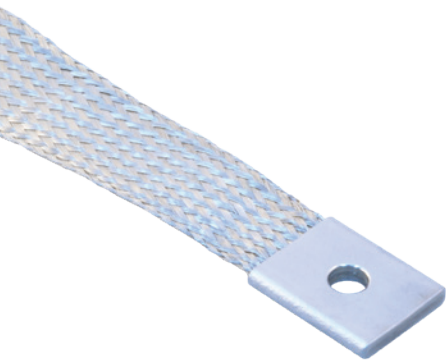


“BETTER THAN MIL-SPEC”

M24749-IV Type Configurable Ground Straps



107-500 Stainless Steel/Nickel Braid M24749 Type IV Style with configurable options



HOW TO ORDER							
Sample Part Number	107-500	S	-RD	-2000	A	E	-6 S
Product Series	Stainless steel/nickel ground strap						
Braid Layers	S = Single D = Double						
Lug Configuration	-SQ = Square Lugs -RD = Radiused Lugs -RA = Right-Angle Lugs -DRU = Double Right-Angle Lugs, Up-Up						
Size Code	125 – 2000, See Dimensions Tables						
Lug 1 Hole	A – M, See Table. If two different sized lug holes are required, specify smaller lug hole in this location.						
Lug 2 Hole	A – M, See Table						
Length	In inches						
Insulation Sleeving	S = Black sleeving over braid C = Clear sleeving over braid Omit = No sleeving						

GROUND STRAP FEATURES

- Meets the rigorous specifications of MIL-DTL-24749 Rev. C with width, length, and lug configuration options beyond standard mil-spec straps
- Tested to survive 1000 hours salt spray
- Unique Stainless Steel/Nickel hybrid braid
- Lightweight, durable, configurable crimp lugs: square, radiused, straight, single- and double-right-angle versions
- Available black or clear sleeving over braid

MATERIAL/FINISH

- Braid - 36 AWG stainless steel 50% / nickel 200 50%
- Lugs - stainless steel / passivate per AMS2700
- Sleeving - per M23053 or equivalent

LUG HOLE SIZE CODES

Hole Size Code	Ø C	Stud Size (Ref.)
X	.000	No Lug Hole
Z	.090/.098 (2.29/2.49)	#2
A	.114/.122 (2.90/3.10)	#4
B	.142/.152 (3.61/3.86)	#6
C	.168/.178 (4.27/4.52)	#8
D	.193/.203 (4.90/5.16)	#10
E	.260/.275 (6.60/6.99)	1/4
F	.323/.338 (8.20/8.59)	5/16
G	.385/.400 (9.78/10.16)	3/8
H	.448/.463 (11.38/11.76)	7/16
J	.510/.525 (12.95/13.34)	1/2
K	.573/.588 (14.55/14.94)	9/16
L	.651/.666 (16.54/16.92)	5/8
M	.770/.785 (19.56/19.94)	3/4

SINGLE-LAYER BRAID GROUND STRAP

Size Code	CSA (KCMIL)	CSA (mm ²)	Ref. AWG Equivalent	Nom. Resistance mOhm/m	Max. Lug Code
125	3.0	1.5	16–15	131.00	B
203	7.8	4.0	12–11	52.00	D
250	9.6	4.9	11–10	43.00	E
437	10.8	5.5	10	37.00	F
500	13.2	6.7	9	31.00	G
1000	19.2	9.7	8–7	23.00	J
1500	23.4	11.9	7–6	20.50	L
2000	28.8	14.6	6–5	14.00	M

DOUBLE-LAYER BRAID GROUND STRAP

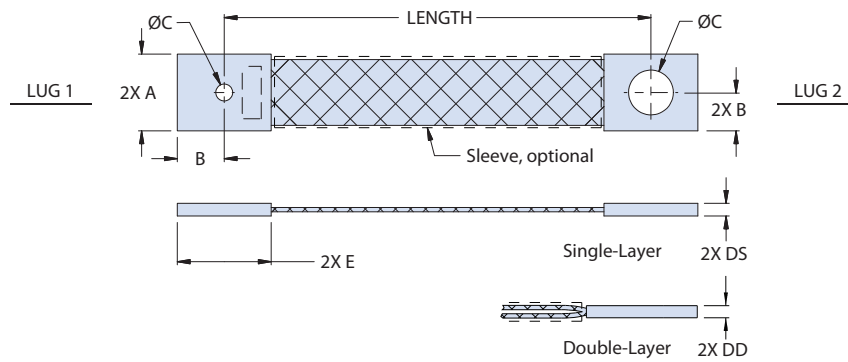
Size Code	CSA (KCMIL)	CSA (mm ²)	Ref. AWG Equivalent	Nom. Resistance mOhm/m	Max. Lug Code
125	6.0	3.0	13–12	65.50	B
203	15.6	8.0	9–8	26.00	D
250	19.2	9.8	8–7	21.50	E
437	21.6	11.0	7	18.50	F
500	26.4	13.4	6	15.50	G
1000	38.4	19.4	5–4	11.50	J
1500	46.8	23.8	4–3	10.50	L
2000	57.6	29.2	3–2	7.00	M

NOTES

- Ground strap IAW MIL-DTL-24749 Type IV with all options, except strap allows for nonstandard strap form, widths, lengths, and hole sizes.
- Lug hole sizes may differ from each other. Smaller lug hole diameter specified in “Lug 1” location in the part number. (Not applicable for RA right-angle lug configurations). Lug holes IAW AS7928
- Length tolerance: ± .250 inches (6.35 mm) up to 5 inches, or ± 5% for lengths > than 5”.
- Consult Glenair for Ground Straps with larger cross-sectional area and braid gauge

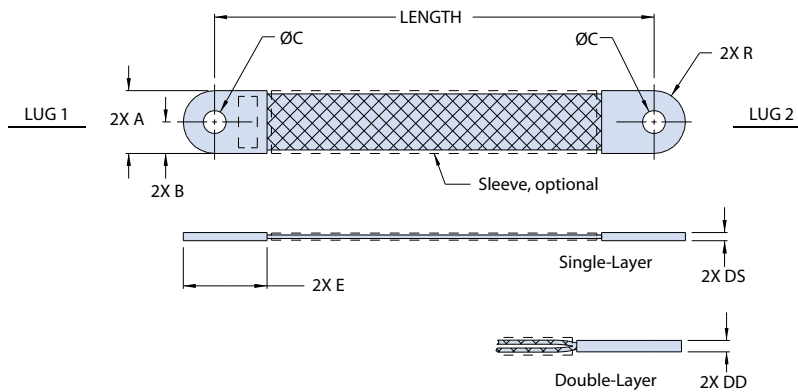
107-500 Stainless Steel Braid, M24749 Type IV Style Square Lugs / Radiused Lugs

SQ - SQUARE LUG DIMENSIONS



Size Code	A		B		DS (Single-Layer)		DD (Double-Layer)		E	
	In.	mm	In.	mm	In.	mm	In.	mm	In.	mm
125	.240	6.10	.120	3.05	.060	1.52	.075	1.91	.240	6.10
203	.330	8.38	.165	4.19	.070	1.78	.090	2.29	.330	8.38
250	.410	10.41	.205	5.21	.090	2.29	.120	3.05	.410	10.41
437	.530	13.46	.265	6.73	.085	2.16	.110	2.79	.530	13.46
500	.600	15.24	.300	7.62	.085	2.16	.110	2.79	.600	15.24
1000	.830	21.08	.415	10.54	.100	2.54	.130	3.30	.830	21.08
1500	1.000	25.40	.500	12.70	.100	2.54	.130	3.30	1.000	25.40
2000	1.180	29.97	.590	14.99	.100	2.54	.130	3.30	1.180	29.97

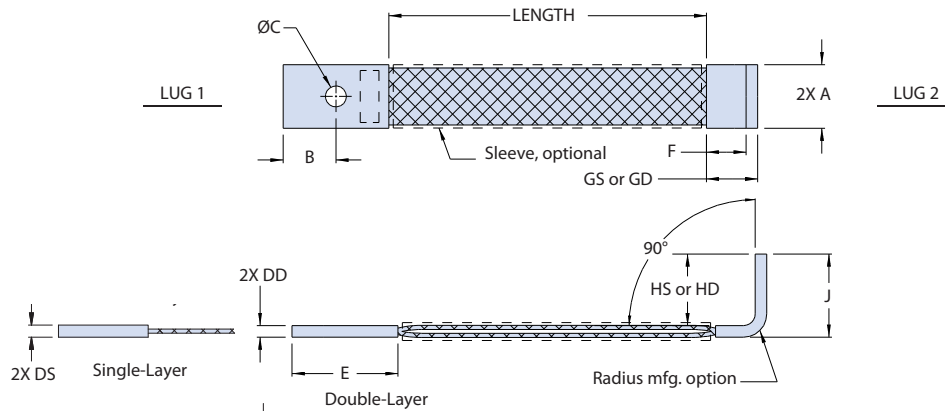
RD - RADIUSED LUG DIMENSIONS



Size Code	A		B		DS (Single-Layer)		DD (Double-Layer)		E		R	
	In.	mm	In.	mm	In.	mm	In.	mm	In.	mm	In.	mm
125	.240	6.10	.120	3.05	.060	1.52	.075	1.91	.630	16.00	.120	3.05
203	.330	8.38	.165	4.19	.070	1.78	.090	2.29	.630	16.00	.165	4.19
250	.410	10.41	.205	5.21	.090	2.29	.120	3.05	.750	19.05	.205	5.21
437	.530	13.46	.265	6.73	.085	2.16	.110	2.79	.750	19.05	.265	6.73
500	.600	15.24	.300	7.62	.085	2.16	.110	2.79	.850	21.59	.300	7.62
1000	.830	21.08	.415	10.54	.100	2.54	.130	3.30	1.100	27.94	.415	10.54
1500	1.000	25.40	.500	12.70	.100	2.54	.130	3.30	1.250	31.75	.500	12.70
2000	1.180	29.97	.590	14.99	.100	2.54	.130	3.30	1.400	35.56	.590	14.99

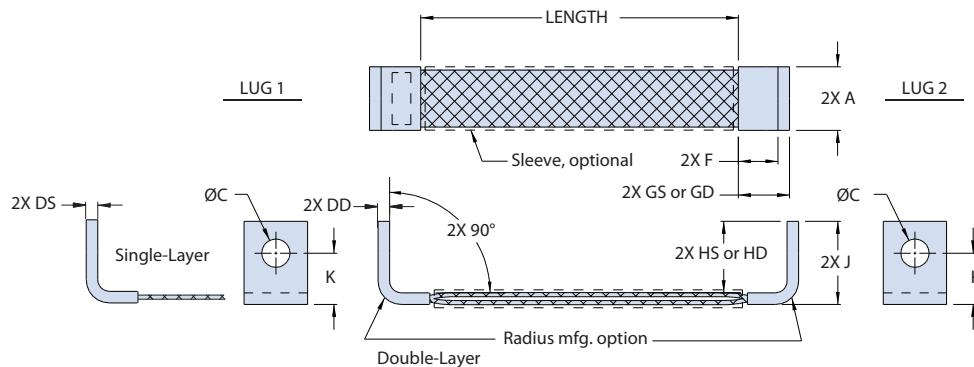
107-500 Stainless Steel Braid, M24749 Type IV style Single / Double Right-Angle Lugs

RA - RIGHT-ANGLE LUG DIMENSIONS



Size Code	A		B		DS		DD		E		F Ref.		GS Ref. (Single-Layer)		GD Ref. (Double-Layer)		HS Ref. (Single-Layer)		HD Ref. (Double-Layer)		J		K Ref.	
	In.	mm	In.	mm	In.	mm	In.	mm	In.	mm	In.	mm	In.	mm	In.	mm	In.	mm	In.	mm	In.	mm	In.	mm
125	.240	6.10	.313	7.95	.060	1.52	.075	1.91	.630	16.00	.375	9.53	.435	11.05	.450	11.43	.590	14.99	.580	14.73	.650	16.51	.500	12.70
203	.330	8.38	.313	7.95	.070	1.78	.090	2.29	.630	16.00	.375	9.53	.445	11.30	.465	11.81	.630	16.00	.610	15.49	.700	17.78	.500	12.70
250	.410	10.41	.375	9.53	.090	2.29	.120	3.05	.750	19.05	.375	9.53	.465	11.81	.495	12.57	.660	16.76	.630	16.00	.750	19.05	.500	12.70
437	.530	13.46	.375	9.53	.085	2.16	.110	2.79	.750	19.05	.375	9.53	.460	11.68	.485	12.32	.820	20.83	.790	20.07	.900	22.86	.625	15.88
500	.600	15.24	.425	10.80	.085	2.16	.110	2.79	.850	21.59	.375	9.53	.460	11.68	.485	12.32	.920	23.37	.890	22.61	1.000	25.40	.625	15.88
1000	.830	21.08	.550	13.97	.100	2.54	.130	3.30	1.100	27.94	.500	12.70	.600	15.24	.630	16.00	1.050	26.67	1.020	25.91	1.150	29.21	.750	19.05
1500	1.000	25.40	.625	15.88	.100	2.54	.130	3.30	1.250	31.75	.500	12.70	.600	15.24	.630	16.00	1.150	29.21	1.120	28.45	1.250	31.75	.750	19.05
2000	1.180	29.97	.700	17.78	.100	2.54	.130	3.30	1.400	35.56	.500	12.70	.600	15.24	.630	16.00	1.250	31.75	1.220	30.99	1.350	34.29	.750	19.05

DRU - DOUBLE RIGHT-ANGLE (UP-UP) LUGS DIMENSIONS



Size Code	A		DS		DD		F Ref.		GS Ref. (Single-Layer)		GD Ref. (Double-Layer)		HS Ref. (Single-Layer)		HD Ref. (Double-Layer)		J		K Ref.	
	In.	mm	In.	mm	In.	mm	In.	mm	In.	mm	In.	mm	In.	mm	In.	mm	In.	mm	In.	mm
125	.240	6.10	.060	1.52	.075	1.91	.375	9.53	.435	11.05	.450	11.43	.590	14.99	.580	14.73	.650	16.51	.500	12.70
203	.330	8.38	.070	1.78	.090	2.29	.375	9.53	.445	11.30	.465	11.81	.630	16.00	.610	15.49	.700	17.78	.500	12.70
250	.410	10.41	.090	2.29	.120	3.05	.375	9.53	.465	11.81	.495	12.57	.660	16.76	.630	16.00	.750	19.05	.500	12.70
437	.530	13.46	.085	2.16	.110	2.79	.375	9.53	.460	11.68	.485	12.32	.820	20.83	.790	20.07	.900	22.86	.625	15.88
500	.600	15.24	.085	2.16	.110	2.79	.375	9.53	.460	11.68	.485	12.32	.920	23.37	.890	22.61	1.000	25.40	.625	15.88
1000	.830	21.08	.100	2.54	.130	3.30	.500	12.70	.600	15.24	.630	16.00	1.050	26.67	1.020	25.91	1.150	29.21	.750	19.05
1500	1.000	25.40	.100	2.54	.130	3.30	.500	12.70	.600	15.24	.630	16.00	1.150	29.21	1.120	28.45	1.250	31.75	.750	19.05
2000	1.180	29.97	.100	2.54	.130	3.30	.500	12.70	.600	15.24	.630	16.00	1.250	31.75	1.220	30.99	1.350	34.29	.750	19.05