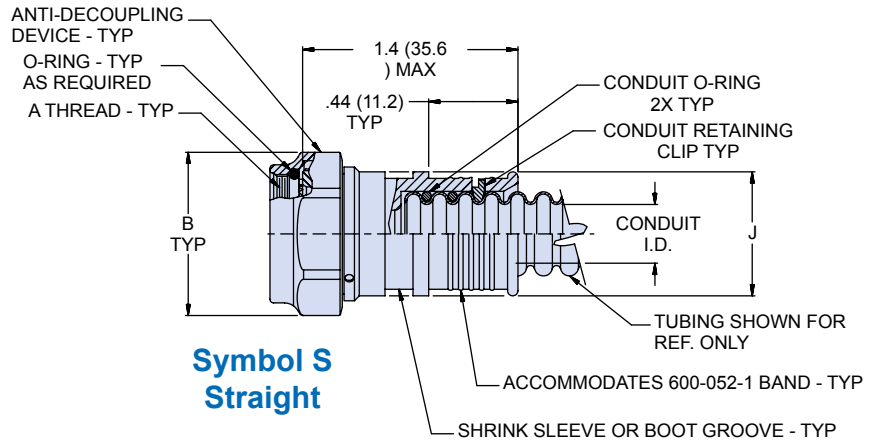
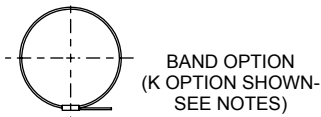
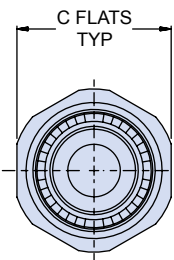
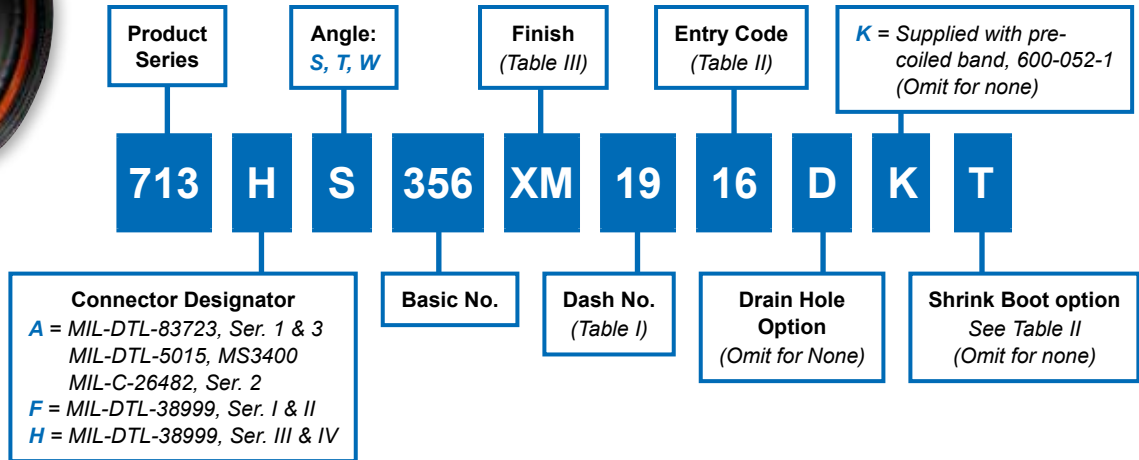


Composite Guardian System connector adapter



Self-Locking

How To Order



Material and Finish

Elbow, adapter: High grade engineering thermoplastic/See Table III
 Coupling nut, conduit retaining clip: High grade engineering thermoplastic/no plating
 Anti-decoupling device: Corrosion resistant material/NA
 O-rings: Silicone/NA

Tools and Assembly notes

Conduit retaining clip and conduit O-ring to be supplied unassembled
 For effective grounding, connector with conductive Finish should be used
 Glennair assembly procedure AP74-010 is recommended for adapter to conduit termination
 Glennair 600 Series backshell assembly tools are recommended for assembly and installation

713-356 Composite Self-Locking EMI/RFI Environmental Connector Adapter for Series 72 Annular Convolute Tubing



Series 72
Guardian

Connector Designator A			Connector Designator F			Connector Designator H			B Dia Max	C Flats	
Dash No.	Shell Size Ref	A Thread Class 2B	Dash No.	Shell Size Ref	A Thread Class 2B	Dash No.	Shell Size Ref	A Thread Iso Metric		Max	Min
08	08	1/2-20 UNF	08	09	7/16-28 UNEF	09	A	M12 X 1.0-6H	.83 (21.1)	.750 (19.1)	.736 (18.7)
10	10	5/8-24 UNEF	10	11	9/16-24 UNEF	11	B	M15 X 1.0-6H	.96 (24.4)	.875 (22.2)	.860 (21.8)
12	12	3/4-20 UNEF	12	13	11/16-24 UNEF	13	C	M18 X 1.0-6H	1.09 (27.7)	1.000 (25.4)	.980 (24.9)
14	14	7/8-20 UNEF	14	15	13/16-20 UNEF	15	D	M22 X 1.0-6H	1.22 (31.0)	1.125 (28.6)	1.100 (27.9)
16	16	1-20 UNEF	16	17	15/16-20 UNEF	17	E	M25 X 1.0-6H	1.35 (34.3)	1.250 (31.8)	1.224 (31.1)
18	18	1 1/16-18 UNEF	18	19	1 1/16-18 UNEF	19	F	M28 X 1.0-6H	1.48 (37.6)	1.375 (34.9)	1.348 (34.2)
20	20	1 3/16-18 UNEF	20	21	1 3/16-18 UNEF	21	G	M31 X 1.0-6H	1.62 (41.1)	1.500 (38.1)	1.469 (37.3)
22	22	1 5/16-18 UNEF	22	23	1 5/16-18 UNEF	23	H	M34 X 1.0-6H	1.75 (44.5)	1.625 (41.3)	1.581 (40.2)
24	24	1 7/16-18 UNEF	24	25	1 7/16-18 UNEF	25	J	M37 X 1.0-6H	1.89 (48.0)	1.750 (44.5)	1.690 (42.9)

Conn Desig		D ±.06 (1.5)	E ±.09 (2.3)	F ±.09 (2.3)	G ±.06 (1.5)	H ±.09 (2.3)
A,F	H					
08	09	.69 (17.5)	.88 (22.4)	1.19 (30.2)	.72 (18.3)	1.00 (25.4)
10	11	.75 (19.1)	1.00 (25.4)	1.25 (31.8)	.75 (19.1)	1.06 (26.9)
12	13	.81 (20.6)	1.13 (28.7)	1.31 (33.3)	.75 (19.1)	1.13 (28.7)
14	15	.88 (22.4)	1.31 (33.3)	1.38 (35.1)	.76 (19.3)	1.16 (29.5)
16	17	.94 (23.9)	1.38 (35.1)	1.44 (36.6)	.78 (19.8)	1.18 (30.0)
18	19	.97 (24.6)	1.44 (36.6)	1.47 (37.3)	.79 (20.1)	1.19 (30.2)
20	21	1.06 (26.9)	1.63 (41.4)	1.56 (39.6)	.82 (20.8)	1.22 (31.0)
22	23	1.13 (28.7)	1.75 (44.5)	1.63 (41.4)	.86 (21.8)	1.26 (32.0)
24	25	1.19 (30.2)	1.88 (47.8)	1.69 (42.9)	.89 (22.6)	1.29 (32.8)

Entry Code	J Max	Conduit I.D.		Shrink Boot
		Min	Max	
06	.53 (13.5)	.16 (4.1)	.19 (4.8)	770-001S103
09	.63 (16.0)	.24 (6.1)	.28 (7.1)	770-001S103
12	.73 (18.5)	.33 (8.4)	.37 (9.4)	770-001S104
16	.86 (21.8)	.45 (11.4)	.50 (12.7)	770-001S104
20	.98 (24.9)	.57 (14.5)	.62 (15.8)	770-001S105
24	1.15 (29.2)	.69 (17.5)	.75 (19.1)	770-001S106
28	1.27 (32.3)	.81 (20.6)	.87 (22.2)	770-001S107
32	1.40 (35.6)	.93 (23.6)	1.00 (25.4)	770-001S107

Symbol	Finish Description
XM	Electroless Nickel
XW	Cad/Olive Drab over Electroless Nickel
XB	Black color/Unplated

