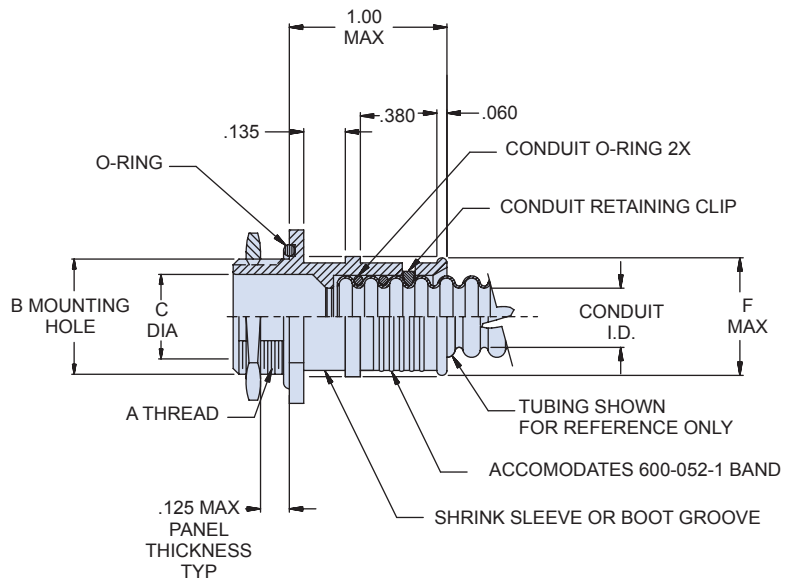
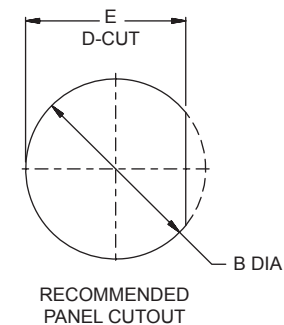
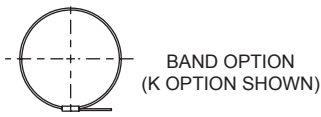
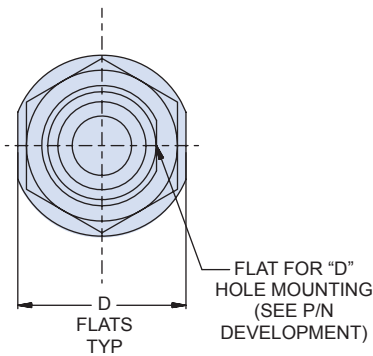
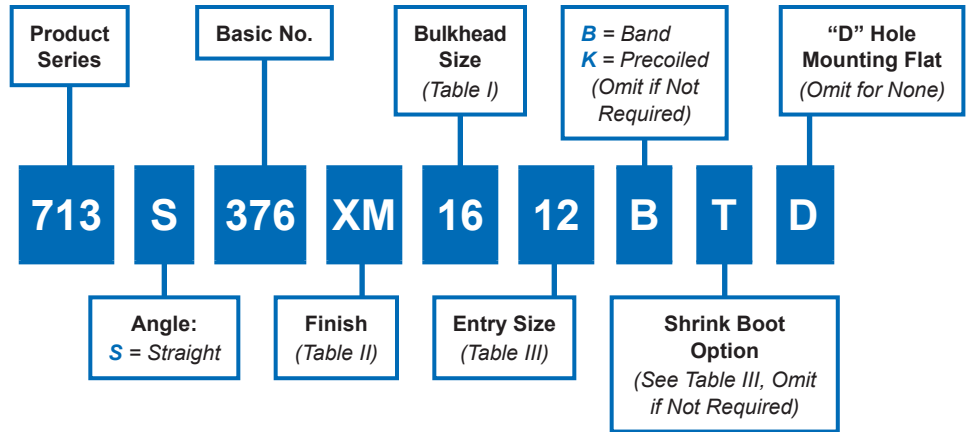


Composite Guardian System bulkhead and junction box feed-thru fitting

How To Order



Material and Finish

Adapter and Jam nut: High grade engineering thermoplastic/See Table II
 O-rings: Silicone/NA
 Retaining clip: High grade engineering thermoplastic/no plating

Tools and Assembly notes

Conduit retaining clip and conduit O-ring to be supplied unassembled
 For effective grounding, connector with conductive Finish should be used
 Glennair assembly procedure AP74-010 is recommended for adapter to conduit termination
 Glennair 600 Series backshell assembly tools are recommended for assembly and installation

713-376
Composite Guardian Bulkhead
and Junction Box Feed-Thru Fitting
for Series 72 Annular Convuluted Tubing



Table I						
Bulkhead Size	A Thread Class 2A	B $\pm .015$ $-.000$	C Dia	D Flats	E $\pm .010$ $-.000$	Max Entry Size
06	7/16-28 UNEF	0.443 (11.3)	0.188 (4.8)	0.688 (17.5)	0.385 (9.8)	09
08	1/2-20 UNF	0.505 (12.8)	0.250 (6.4)	0.750 (19.1)	0.448 (11.4)	12
09	9/16-24 UNEF	0.568 (14.4)	0.281 (7.1)	0.812 (20.6)	0.510 (13.0)	12
10	9/16-24 UNEF	0.568 (14.4)	0.312 (7.9)	0.812 (20.6)	0.510 (13.0)	12
12	5/8-24 UNEF	0.630 (16.0)	0.375 (9.5)	0.875 (22.2)	0.573 (14.6)	16
14	11/16-24 UNEF	0.693 (17.6)	0.438 (11.1)	0.938 (23.8)	0.635 (16.2)	16
16	3/4-20 UNEF	0.755 (19.2)	0.500 (12.7)	1.000 (25.4)	0.698 (17.7)	20
20	7/8-20 UNEF	0.880 (22.4)	0.625 (15.9)	1.125 (28.6)	0.822 (20.9)	20
24	1-20 UNEF	1.005 (25.5)	0.750 (19.1)	1.250 (31.8)	0.948 (24.1)	24
28	1 3/16-8 UNEF	1.193 (30.3)	0.875 (22.2)	1.438 (36.5)	1.135 (28.8)	32
32	1 5/16-18 UNEF	1.318 (33.5)	1.000 (25.4)	1.562 (39.7)	1.260 (32.0)	32
40	1 1/2-18 UNEF	1.505 (38.2)	1.250 (31.8)	1.812 (46.0)	1.448 (36.8)	40

Table II: Finish	
Symbol	Finish Description
XMT	Nickel-PTFE Gray (1000 Hr. Salt Spray)
XM	Electroless Nickel
XW	Cadmium Olive Drab over Electroless Nickel
XMT	No Plating - Base Material, Non-Conductive

Table III					
Entry Code	F Max	Conduit I.D.		Shrink Boot	
		Min	Max		
06	.53 (13.5)	.16 (4.1)	.19 (4.8)	770-001S103	
09	.63 (16.0)	.24 (6.1)	.28 (7.1)	770-001S103	
12	.73 (18.5)	.33 (8.4)	.37 (9.4)	770-001S104	
16	.86 (21.8)	.45 (11.4)	.50 (12.7)	770-001S104	
20	.98 (24.9)	.57 (14.5)	.62 (15.8)	770-001S105	
24	1.15 (29.2)	.69 (17.5)	.75 (19.1)	770-001S106	
28	1.27 (32.3)	.81 (20.6)	.87 (22.2)	770-001S107	
32	1.40 (35.6)	.93 (23.6)	1.00 (25.4)	770-001S107	
40	1.62 (41.1)	1.18 (30.0)	1.25 (31.8)	770-001S107	