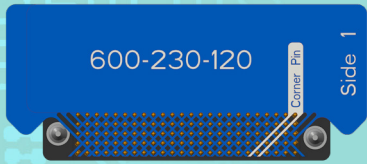


# .062" PITCH COMPLIANT PIN HD Stacker™



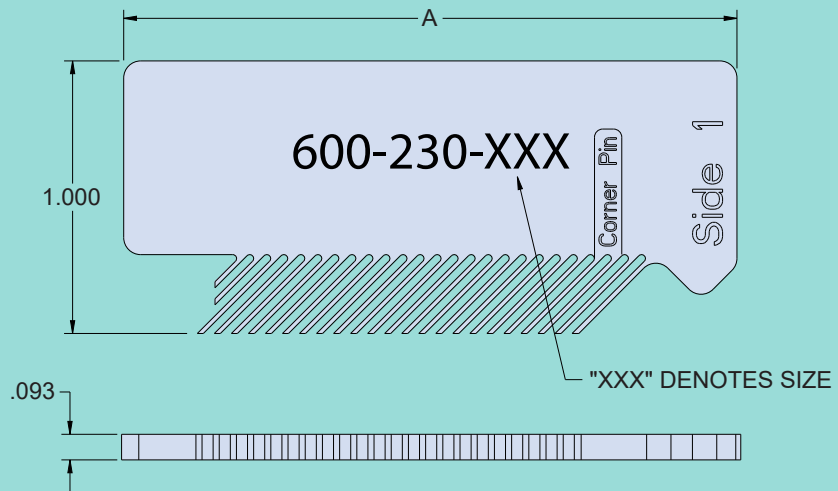
## 600-230 contact alignment comb for connector-to-board installation



How to Order 600-230 HD Stacker Contact Alignment Comb		
Sample Part Number	600-230	-120
Series	600-230 = HD Stacker Contact Alignment Comb (Pair)	
Number of Contacts	40, 80, 120, 160, 200, 240	

\* Ships as a pair (Qty 1 = 1 pair). See installation guide for recommended use.

- A pair of Contact Alignment Combs is recommended to assist operators feeding contacts with termination lengths larger than .500" into the printed circuit board. Alignment combs are made of FR4 fiberglass or equivalent



Number of Contacts	A	
	in	mm
40	1.25	31.75
80	1.75	44.45
120	2.25	57.15
160	2.75	69.85
200	3.25	82.55
240	3.75	95.25