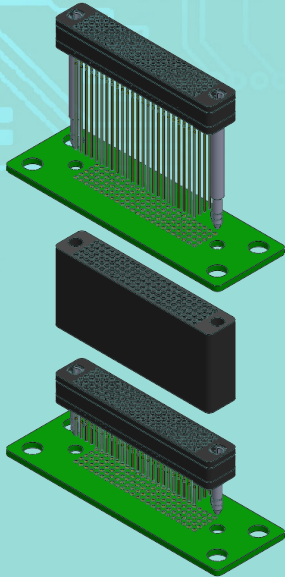


.062" PITCH COMPLIANT PIN HD Stacker™

Board-to-Board Spacer



USE WITH GSTB OR GSTBL



Glenair supplies nine standard spacers ranging from .030" to .730" (.76mm to 18.54mm) to allow application designers to engineer board-to-board heights ranging from .295" (no spacer) to 1.025" (7.49mm to 26.04mm). Dielectric spacers also serve to insulate free-standing connector pins, and act as rigid standoffs in board-to-board applications.

How to Order 980-008 HD Stacker Board-to-Board Spacers

Sample Part Number	980-008	-120	-.530
Series	980-008 = HD Stacker Board-to-Board Spacer		
Number of Contacts	40, 80, 120, 160, 200, 240		
Spacer Height*	.080, .130, .230, .330, .430, .530, .630, .730, .830		

Note: Glenair HD Stacker connectors will accommodate pin-to-socket insertion tolerances on the order of -.100". Contact Glenair for custom height Spacers.

- Bridges board-to-board gaps beyond the base HD Stacker height of .295" (7.49mm)
- Specify any board-to-board height up to 1.125" (28.58 mm)

Board-to-board spacing height	Spacer Height to specify in Spacer part number	Pin Termination Length to specify in Connector part number
0.295*	N/A	0.270
0.295**	N/A	0.300
0.375	.080	0.350
0.425	.130	0.400
0.525	.230	0.500
0.625	.330	0.600
0.725	.430	0.700
0.825	.530	0.800
0.925	.630	0.900
1.025	.730	1.000
1.125***	.830	1.000

* For use with .060"-.090" PCBs when no spacer is required
 ** For use with .090"-.140" PCBs when no spacer is required
 *** For use with .060" PCB

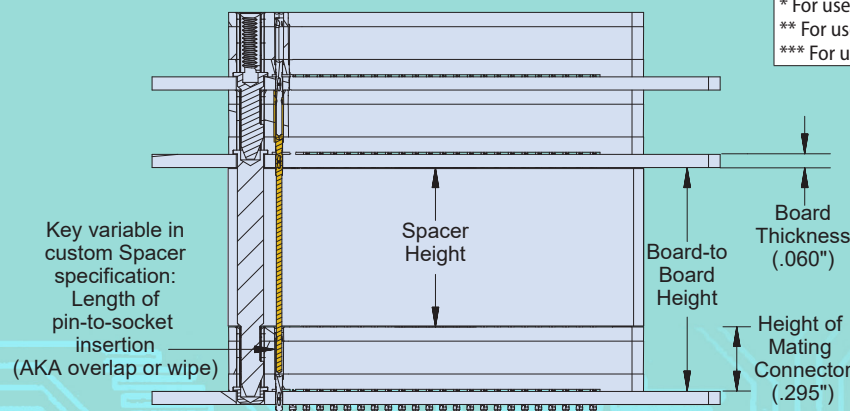


Illustration left depicts all of the standard variables affecting board-to-board height. While custom spacers are available, care must be given to ensure pin termination lengths result in adequate pin-to-socket overlap (not to be reduced in excess of .100")