

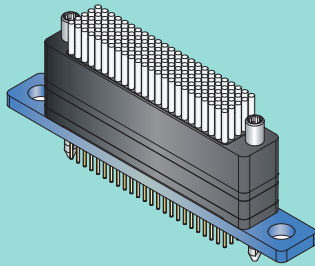
.062" PITCH COMPLIANT PIN

HD Stacker™



GST-1000 pre-wired pin connector with guide hardware

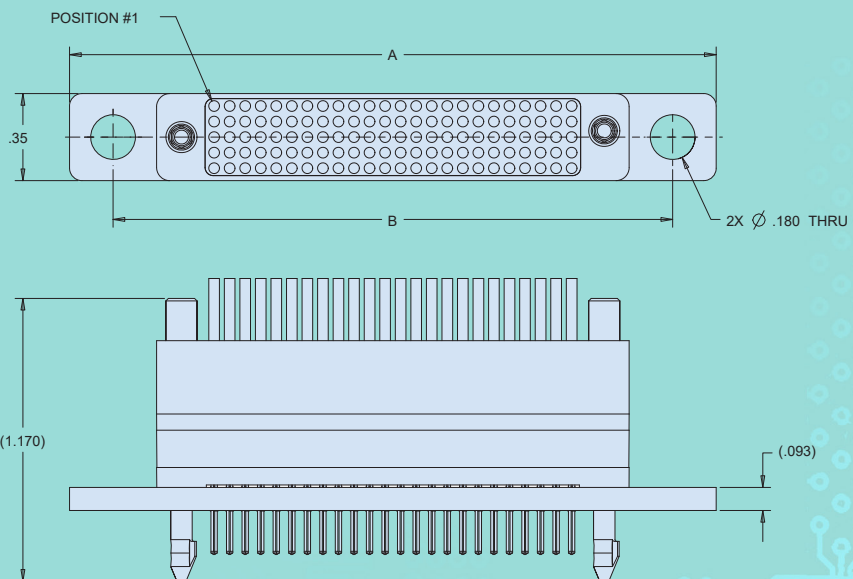
MATES WITH GSTB (WITH F AND G HARDWARE)



- High-density layouts from 40 to 240 contacts
- Polarized insulators
- Keyed guide pin hardware for mis-mate protection
- Mil-qualified hookup wire in white, yellow, and ten-color repeat

How to Order GST-1000 HD Stacker Connectors	
Sample Part Number	GST-1000 -120 P W -4 K 7 -18 T1
Series	GST-1000 = Prewired Pin Connector w/ Guide Hardware
Number of Contacts	40, 80, 120, 160, 200, 240
Contact Type	P = Pin
Termination Type	W = Prewired
Wire Gauge	4 = #24 6 = #26 8 = #28
Wire Type	K = M22759/11 600 VRMS Teflon (TFE) J = M22759/33 600 VRMS Modified Cross-Linked Tefzel (ETFE) E = NEMA HP3-EB 600 VRMS Type E M16878/4 (TFE)
Wire Color	1 = White 2 = Yellow 7 = Ten-Color Repeating
Wire Length	Length in Inches (" -18" Specifies 18 Inches.) 4" Minimum.
Hardware	<div style="display: flex; justify-content: space-around;"> <div style="text-align: center;">T1 [PIN 1] (R)</div> <div style="text-align: center;">T2 [PIN 1] (R) (L)</div> <div style="text-align: center;">T3 [PIN 1] (L) (L)</div> <div style="text-align: center;">T4 [PIN 1] (L) (R)</div> </div>

All Glenair HD Stacker™ connectors are equipped with our innovative .062" pitch high-density Chevron Contact System (CCS). Special non-orthogonal socket tines enable both higher density layouts as well as improved signal integrity. The GSTB is equipped with pin/socket contacts with solder-free press-fit board mounting.



Number of Contacts	A		B	
	in	mm	in	mm
40	1.60	40.64	1.25	31.75
80	2.10	53.34	1.75	44.45
120	2.60	66.04	2.25	57.15
160	3.10	78.74	2.75	69.85
200	3.60	91.44	3.25	82.55
240	4.10	104.14	3.75	95.25