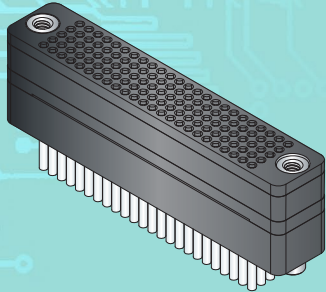


# .062" PITCH COMPLIANT PIN HD Stacker™

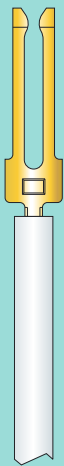


## GSTF pre-wired connector Bottom-of-stack

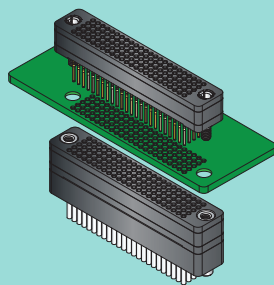
### MATES WITH GSTB



- Innovative Chevron Contact System (CCS)
- High-density layouts from 40 to 300 contacts
- Polarized insulators
- Keyed guide pin hardware for mis-mate protection
- Mil-qualified hookup wire in white, yellow, striped, and ten-color repeat

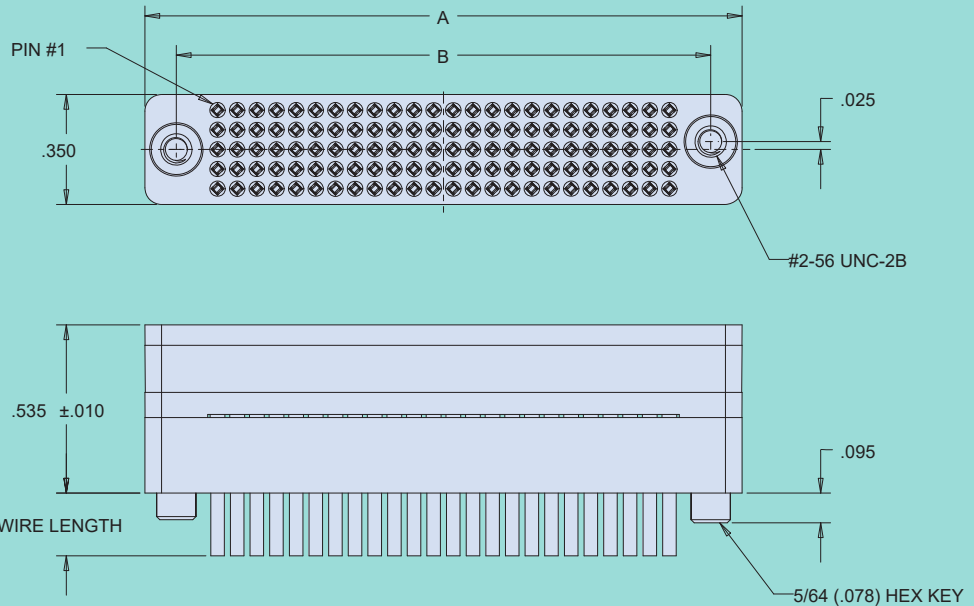


All Glenair HD Stacker™ connectors are equipped with our innovative .062" pitch high-density Chevron Contact System (CCS). Special non-orthogonal socket tines enable both higher density layouts as well as improved signal integrity. The GSTF is equipped with mating socket contacts and a pre-wired cable jumper.



The GSTF is a bottom-of-stack solution for subsystems that require an I/O interface for performance testing and analytics. Shown: GSTF stack-mating with GSTB.

How to Order GSTF HD Stacker Connectors	
Sample Part Number	GSTF -120 S W -4 K 7 -18 M
Series	GSTF = Pre-Wired Bottom Stacker
Number of Contacts	40, 80, 120, 160, 200, 240, 300
Contact Type	S = socket
Termination Type	W = prewired
Wire Gauge	4 = #24 6 = #26 8 = #28
Wire Type	K = M22759/11 600 VRMS Teflon (TFE)      J = M22759/33 600 VRMS modified cross-linked Tefzel (ETFE)      E = NEMA HP3-EB 600VRMS type E M16878/4 (TFE)
Wire Color	1 = White 2 = Yellow 7 = Ten-color repeating
Wire Length	Length in inches ("-18" specifies 18 inches.) 4" minimum.
Hardware	M = #2-56 Hex Head Jackscrew



Number of Contacts	A		B	
	in	mm	in	mm
40	0.90	22.86	0.70	17.78
80	1.40	35.56	1.20	30.48
120	1.90	48.26	1.70	43.18
160	2.40	60.96	2.20	55.88
200	2.90	73.66	2.70	68.58
240	3.40	86.36	3.20	81.28
300	4.15	105.41	3.95	100.33