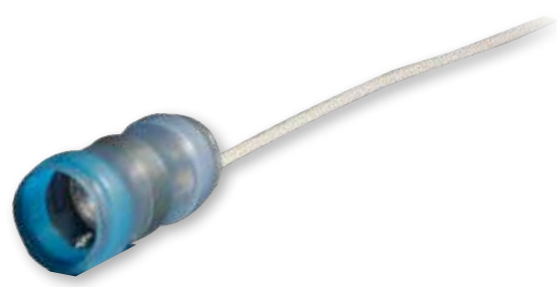
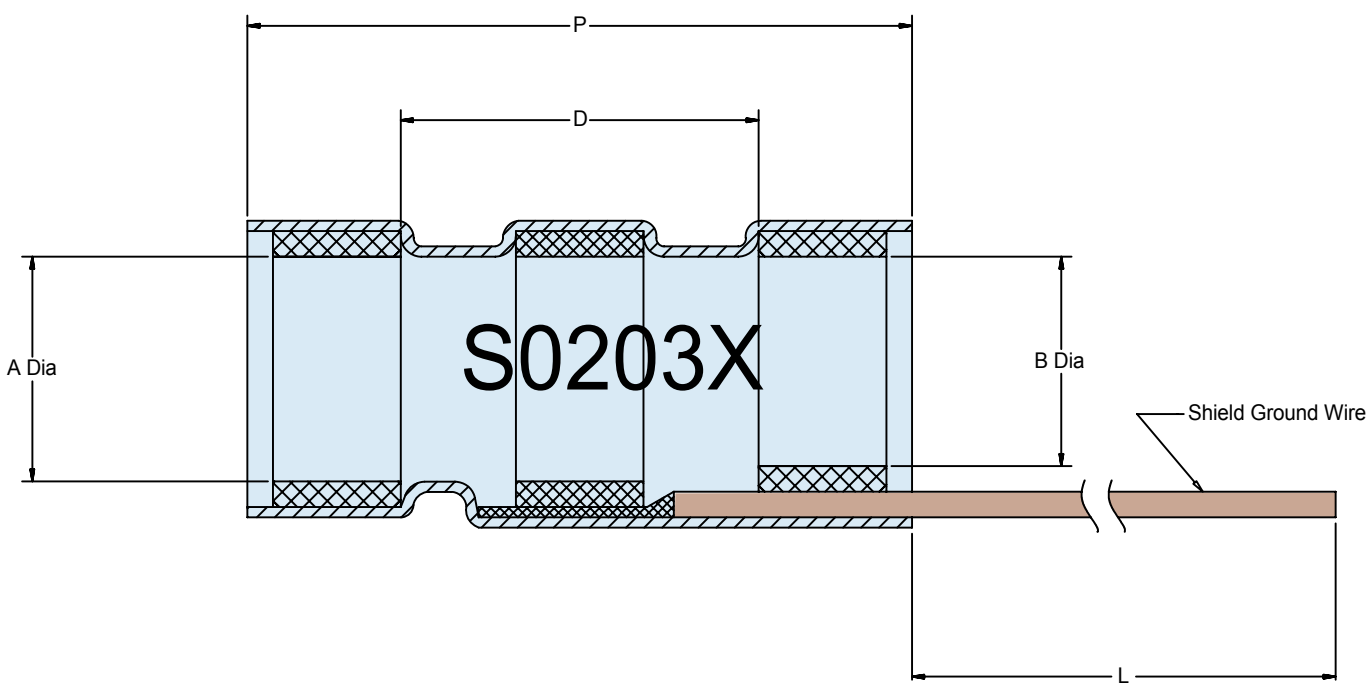


GS83519/2 AS83519/1 Type Heat Shrink Termination (HST) Sleeves Pre-Installed Lead Wire



Product Series	Size (Table I)
GS83519/2	- 03



Dimensions in Inches (millimeters) are subject to change without notice.

GS83519/2
AS83519/1 Type Heat Shrink Termination (HST) Sleeves
Pre-Installed Lead Wire



TABLE I: Dimensions, Military Reference Number, Lead Wire and Marking Code

Size	A Dia Min	B Dia Min	P ± .07 (1.8)	D Min	L Min	Military Ref with Lead Wire	Lead Wire	Marking Code (See Note 1)
01	.105 (2.67)	.075 (1.91)	.65 (16.5)	.325 (8.26)	6.00 (152.4)	M83519/2-1	AS22759/32-20-90	S0201X
02	.145 (3.68)	.105 (2.67)	.65 (16.5)	.325 (8.26)	6.00 (152.4)	M83519/2-2	AS22759/32-20-90	S0202X
03	.200 (5.08)	.170 (4.32)	.65 (16.5)	.325 (8.26)	6.00 (152.4)	M83519/2-3	AS22759/32-20-90	S0203X
04	.255 (6.48)	.235 (5.97)	.75 (19.0)	.325 (8.26)	6.00 (152.4)	M83519/2-4	AS22759/32-20-90	S0204X
05	.300 (7.62)	.275 (7.0)	.75 (19.0)	.325 (8.26)	6.00 (152.4)	M83519/2-5	AS22759/32-20-90	S0205X
6	.105 (2.67)	.075 (1.91)	.65 (16.5)	.325 (8.26)	6.00 (152.4)	M83519/2-6	AS22759/32-22-90	S0206X
7	.145 (3.68)	.105 (2.67)	.65 (16.5)	.325 (8.26)	6.00 (152.4)	M83519/2-7	AS22759/32-22-90	S0207X
8	.200 (5.08)	.170 (4.32)	.65 (16.5)	.325 (8.26)	6.00 (152.4)	M83519/2-8	AS22759/32-22-90	S0208X
9	.255 (6.48)	.235 (5.97)	.75 (19.0)	.325 (8.26)	6.00 (152.4)	M83519/2-9	AS22759/32-22-90	S0209X
10	.300 (7.62)	.275 (7.0)	.75 (19.0)	.325 (8.26)	6.00 (152.4)	M83519/2-10	AS22759/32-22-90	S02010X
11	.105 (2.67)	.075 (1.91)	.65 (16.5)	.325 (8.26)	6.00 (152.4)	M83519/2-11	AS22759/32-24-90	S02011X
12	.145 (3.68)	.105 (2.67)	.65 (16.5)	.325 (8.26)	6.00 (152.4)	M83519/2-12	AS22759/32-24-90	S02012X
13	.200 (5.08)	.170 (4.32)	.65 (16.5)	.325 (8.26)	6.00 (152.4)	M83519/2-13	AS22759/32-24-90	S02013X
14	.255 (6.48)	.235 (5.97)	.75 (19.0)	.325 (8.26)	6.00 (152.4)	M83519/2-14	AS22759/32-24-90	S02014X
15	.300 (7.62)	.275 (7.0)	.75 (19.0)	.325 (8.26)	6.00 (152.4)	M83519/2-15	AS22759/32-24-90	S02015X
16	.105 (2.67)	.075 (1.91)	.65 (16.5)	.325 (8.26)	6.00 (152.4)	M83519/2-16	AS22759/32-26-90	S02016X
17	.145 (3.68)	.105 (2.67)	.65 (16.5)	.325 (8.26)	6.00 (152.4)	M83519/2-17	AS22759/32-26-90	S02017X
18	.200 (5.08)	.170 (4.32)	.65 (16.5)	.325 (8.26)	6.00 (152.4)	M83519/2-18	AS22759/32-26-90	S02018X
19	.255 (6.48)	.235 (5.97)	.75 (19.0)	.325 (8.26)	6.00 (152.4)	M83519/2-19	AS22759/32-26-90	S02019X
20	.300 (7.62)	.275 (7.0)	.75 (19.0)	.325 (8.26)	6.00 (152.4)	M83519/2-20	AS22759/32-26-90	S02020X

Material/Finish:

- Insulation sleeve - Heat-shrinkable, radiation crosslinked, modified polyvinylidene fluoride per MIL-I-23053/8. Color - Transparent blue.
- Melttable sealing ring - Thermally stabilized thermoplastic, color blue.
- Solder preform - Alloy Sn63 per QQ-S-571 with thermal indicator using ROL1 type RMA flux.

Dimensions in Inches (millimeters) are subject to change without notice.