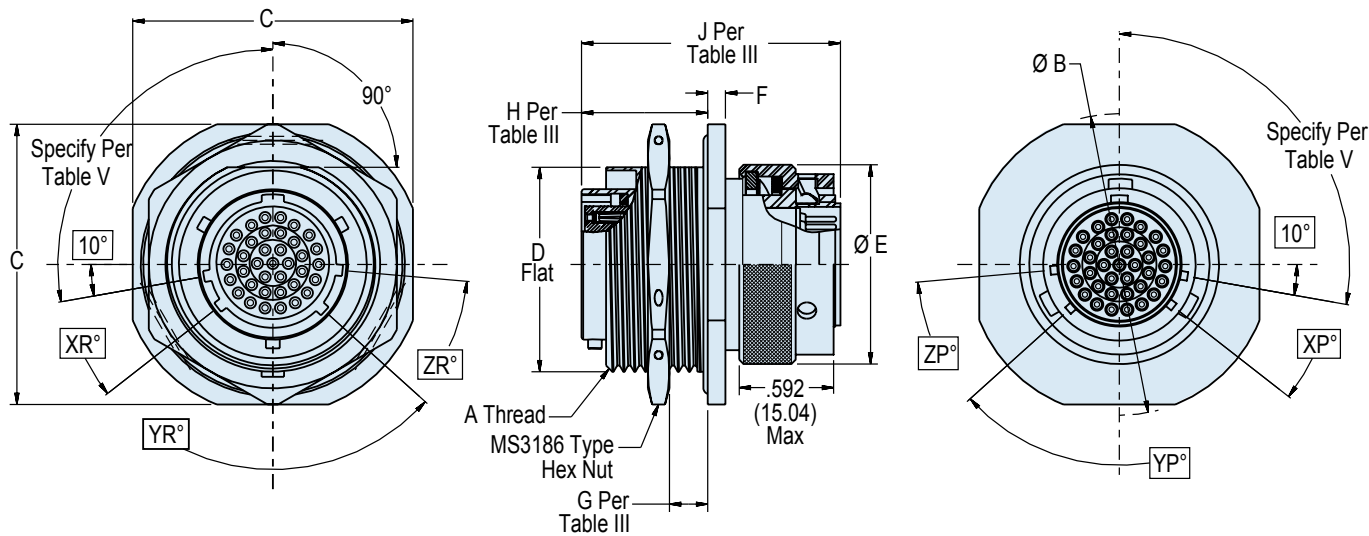
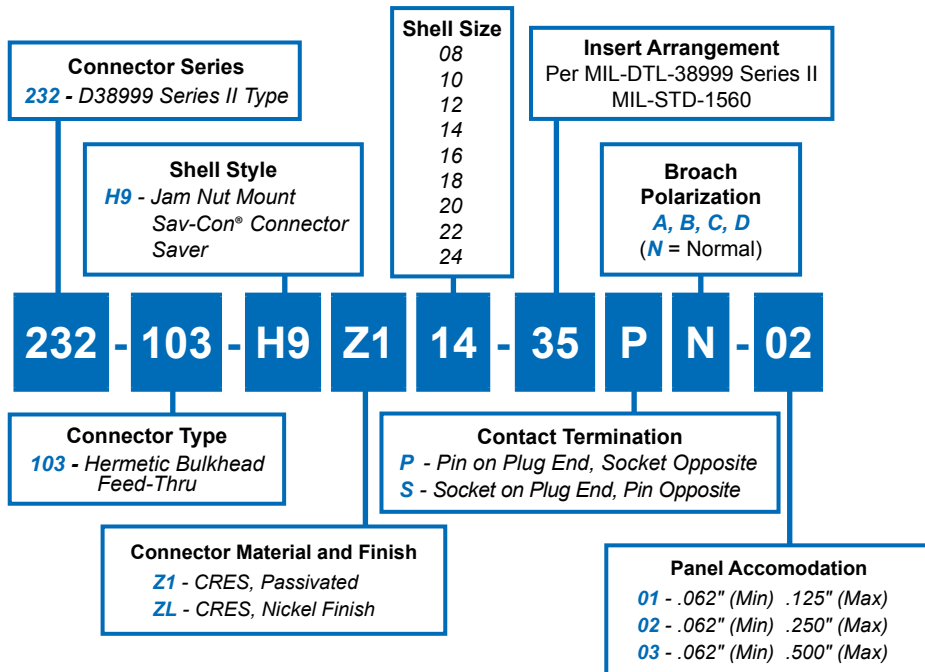




**232-103-H9**  
Jam Nut Mount Hermetic Bulkhead Feed-Thru  
Sav-Con® Connector Saver • MIL-DTL-38999 Series II Type

**B**



Dimensions in Inches (millimeters) are subject to change without notice.

232-103-H9  
Jam Nut Mount Hermetic Bulkhead Feed-Thru  
Sav-Con® Connector Saver • MIL-DTL-38999 Series II Type



TABLE I: CONNECTOR DIMENSIONS

SHELL SIZE	A THREAD CLASS 2A	B DIA	C A/F	D FLAT	E DIA MAX	F	K DIA	N
8	.875-20 UNEF	1.391/1.359 (35.33/34.52)	1.266/1.234 (27.38/26.57)	.818/.811 (16.64/20.60)	.750 (19.05)	.105/.084 (2.67/2.13)	.895/ .885 (22.73/22.48)	.830/.820 (21.08/20.83)
10	1.000-20 UNEF	1.516/1.484 (38.51/37.69)	1.391/1.359 (35.33/34.52)	.942/.935 (19.18/23.75)	.859 (21.82)	.105/.084 (2.67/2.13)	1.020/1.010 (25.91/25.65)	.955/.945 (24.26/24.00)
12	1.125-18 UNEF	1.641/1.609 (41.68/40.87)	1.516/1.484 (38.51/37.69)	1.066/1.059 (27.08/26.90)	1.031 (26.19)	.105/.084 (2.67/2.13)	1.145/1.135 (29.08/28.83)	1.085/1.075 (27.56/27.31)
14	1.250-18 UNEF	1.766/1.734 (44.86/44.04)	1.641/1.609 (41.68/40.87)	1.191/1.184 (30.25/30.07)	1.156 (29.36)	.105/.084 (2.67/2.13)	1.270/1.260 (32.26/32.00)	1.210/1.200 (30.73/30.48)
16	1.375-18 UNEF	1.954/1.922 (49.63/48.82)	1.797/1.765 (45.64/44.83)	1.321/1.314 (33.55/33.38)	1.281 (32.54)	.105/.084 (2.67/2.13)	1.395/1.385 (35.43/35.18)	1.335/1.325 (33.91/33.66)
18	1.500-18 UNEF	2.032/2.000 (51.61/50.80)	1.906/1.874 (48.41/47.60)	1.441/1.434 (36.60/36.42)	1.406 (35.71)	.105/.084 (2.67/2.13)	1.520/1.510 (38.61/38.35)	1.460/1.450 (37.08/36.83)
20	1.625-18 UNEF	2.157/2.125 (54.79/53.98)	2.032/2.000 (51.61/50.80)	1.566/1.559 (39.78/39.60)	1.531 (38.89)	.105/.084 (2.67/2.13)	1.645/1.635 (41.78/41.53)	1.585/1.575 (40.26/40.01)
22	1.750-18 UNS	2.281/2.249 (57.94/57.12)	2.156/2.124 (54.76/53.95)	1.691/1.684 (42.95/42.77)	1.641 (41.68)	.105/.084 (2.67/2.13)	1.770/1.760 (44.96/44.70)	1.709/1.699 (43.41/43.15)
24	1.875-16 UN	2.406/2.374 (61.11/60.30)	2.281/2.249 (57.94/57.12)	1.816/1.809 (46.13/45.95)	1.766 (44.86)	.105/.084 (2.67/2.13)	1.895/1.885 (48.13/47.88)	1.855/1.825 (47.12/46.36)

TABLE IV: MASTER KEY/KEYWAY POSITIONS

SHELL SIZE	XP XR	YP YR	ZP ZR	N	A	B	C	D
8	28°	100°	37°	100°	82°	—	—	118°
10	28°	100°	37°	100°	86°	72°	128°	114°
12	28°	100°	37°	100°	80°	68°	132°	120°
14	28°	100°	37°	100°	79°	66°	134°	121°
16	28°	100°	37°	100°	82°	70°	130°	118°
18	28°	100°	37°	100°	82°	70°	130°	118°
20	28°	100°	37°	100°	82°	70°	130°	118°
22	28°	100°	37°	100°	85°	74°	126°	115°
24	28°	100°	37°	100°	85°	74°	126°	115°

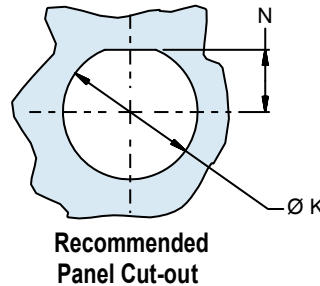


TABLE III: DWV VOLTAGE LEVELS

SERVICE RATING	VOLTAGE AC RMS 60HZ
M	1300 VAC
I	1800 VAC
II	2300 VAC
N	1000 VAC

HERMETIC LEAK RATE MOD CODES

Designator	Required Leak Rate
-585A	1 x 10 <sup>-10</sup> cc Helium per second
-585B	1 x 10 <sup>-9</sup> cc Helium per second
-585C	1 x 10 <sup>-8</sup> cc Helium per second

TABLE II: DIMENSIONS

SYM	G	H	J
01	.062-.125 (1.57-3.18)	.469 MAX (11.91 MAX)	1.300 MAX (33.02 MAX)
02	.062-.250 (1.57-6.35)	.600 MAX (15.24 MAX)	1.425 MAX (36.20 MAX)
03	.062-.500 (1.57-12.7)	.850 MAX (21.59 MAX)	1.675 MAX (42.55 MAX)

APPLICATION NOTES

- Material/finish:  
Shell, jam-nut, coupling nut – 300 Series CRES/see P/N development.  
Contacts, pin – Nickel-iron alloy/Gold plate.  
Contacts, socket – Copper alloy/Gold plate.  
Insulator, pin – Vitreous glass/N.A.  
Insulator, sockets – Hi-grade rigid dielectric/N.A.  
Grounding springs – Copper alloy/Gold plate.  
O-Rings and seals – Fluorosilicone blend/N.A.
- Assembly identified with manufacturer's name and part number, space permitting.
- Test requirements:  
D.W.V. – Per Table IV  
I.R. – 5 GigOhms @ 500 VDC  
Hermeticity – <1 x 10<sup>-7</sup> sccHe/sec @ 1 ATM differential.
- Metric dimensions (mm) are indicated in parentheses.

Dimensions in Inches (millimeters) are subject to change without notice.