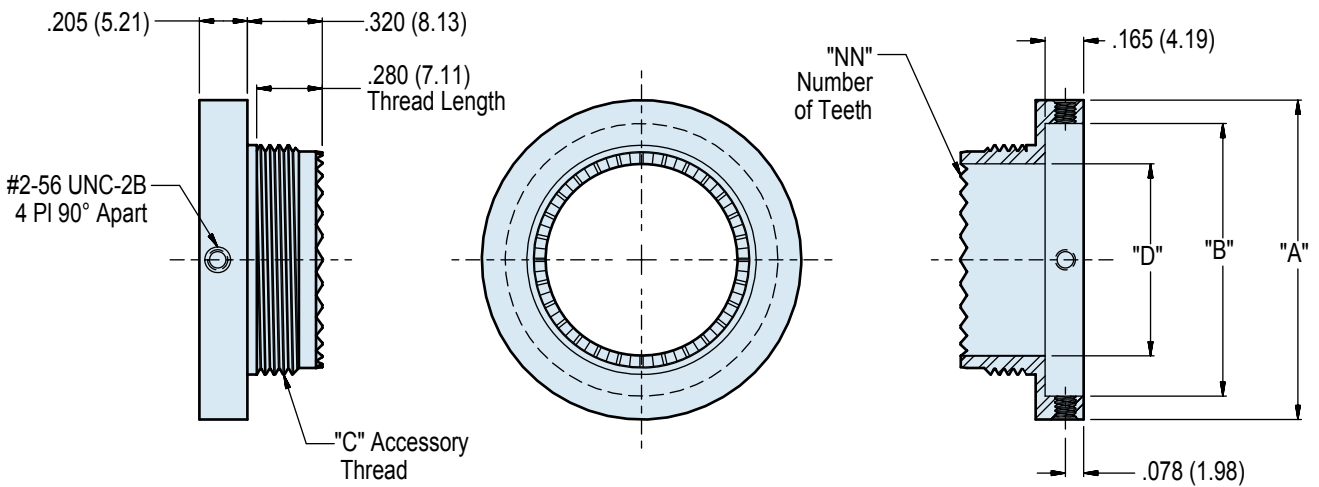
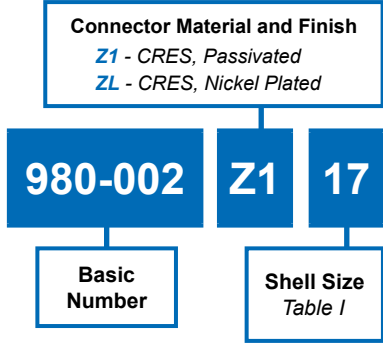




980-002
Non-Environmental Rear Accessory Thread Adapter
for MIL-DTL-38999/23 and /43

B



Dimensions in Inches (millimeters) are subject to change without notice.

980-002
Non-Environmental Rear Accessory Thread Adapter
for MIL-DTL-38999/23 and /43



MIL-DTL-38999
Hermetic Connectors

B

TABLE I: CONNECTOR DIMENSIONS					
SHELL SIZE	A DIA	B DIA	C 1.0-6g 0.100R	D DIA MAX	NN TEETH
9	0.860 (21.84)	.662 (18.81) .656 (16.66)	M12	.346 (8.86)	12
11	0.985 (25.02)	.788 (20.02) .782 (19.86)	M15	.475 (12.07)	16
13	1.115 (28.32)	.917 (23.29) .911 (23.14)	M18	.589 (14.96)	20
15	1.240 (31.50)	1.042 (26.47) 1.037 (26.34)	M22	.714 (18.14)	24
17	1.360 (34.54)	1.165 (29.59) 1.159 (29.44)	M25	.839 (21.31)	28
19	1.488 (37.80)	1.291 (32.79) 1.285 (32.64)	M28	.945 (24.00)	32
21	1.615 (41.02)	1.418 (36.02) 1.412 (35.86)	M31	1.070 (27.18)	36
23	1.740 (44.20)	1.543 (39.19) 1.537 (39.04)	M34	1.194 (30.33)	40
25	1.862 (47.29)	1.665 (42.29) 1.659 (42.14)	M37	1.320 (33.53)	44

APPLICATION NOTES
<ol style="list-style-type: none"> 1. Assembly identified with manufacturer's name and PN, space permitting. 2. Material/Finish: Adapter—300 Series CRES/passivate or 300 Series CRES/nickel plate Set Screws—18-8 CRES/None 3. Glenair 980-002 is designed to adapt MIL-DTL-38999/23 or /43 jam-nut hermetic receptacles to use threaded rear backshells per specification.

Dimensions in Inches (millimeters) are subject to change without notice.