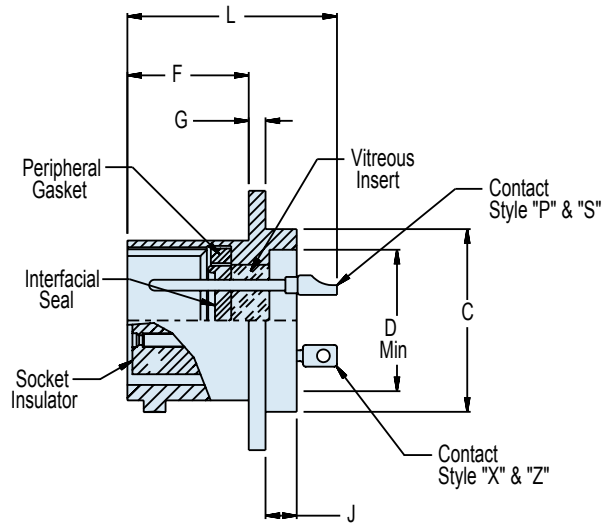
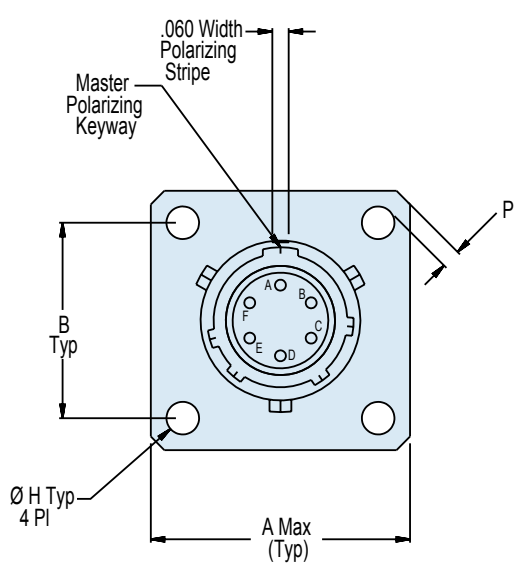
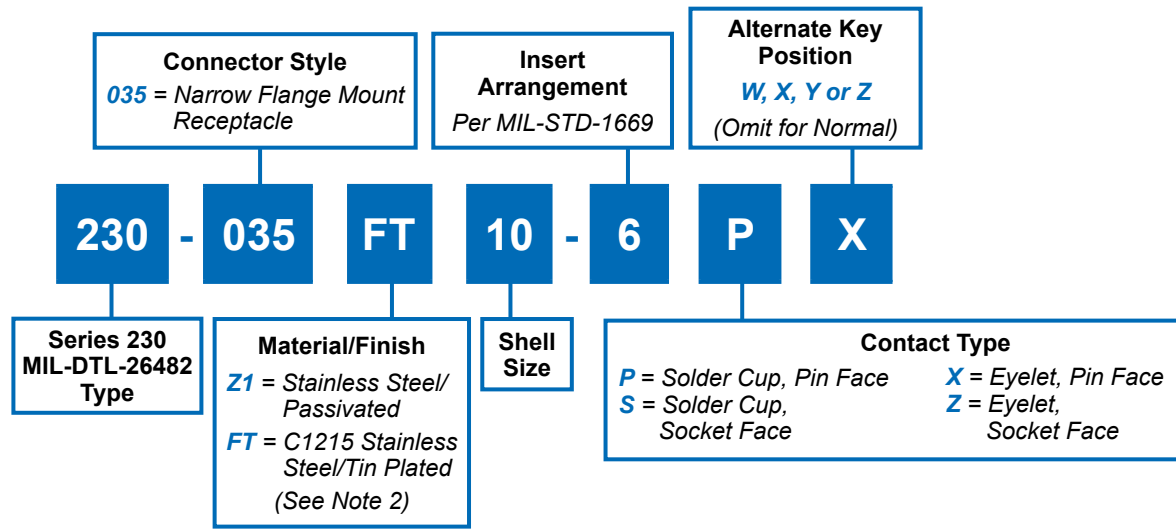




**230-035**  
**MIL-DTL-26482 Series I Type Hermetic**  
**Bayonet Coupling Narrow Flange Mount Receptacle**  
**MS3112 Type**



**APPLICATION NOTES**

- |   |   |
|---|---|
| <ol style="list-style-type: none"> <li>1. To be identified with manufacturer's name, part number and date code, space permitting.</li> <li>2. Material/Finish:<br/>                     Shell: Z1 - 304L stainless steel/passivate.<br/>                     FT - C1215 stainless steel/tin plated.<br/>                     Titanium and Inconel® available. Consult factory.<br/>                     Contacts - 52 Nickel alloy/gold plate.<br/>                     Bayonets - Stainless steel/passivate.<br/>                     Seals - Silicone elastomer/N.A.<br/>                     Insulation - Glass/N.A.<br/>                     Socket insulator - Rigid dielectric/N.A.<br/>                     Socket Contacts - Copper alloy/gold plated.</li> </ol> | <ol style="list-style-type: none"> <li>3. Glenair 230-035 will mate with any QPL MIL-DTL-26482 Series I bayonet coupling plug of same size and insert polarization.</li> <li>4. Performance:<br/>                     Hermeticity - <math>&lt;1 \times 10^{-7}</math> cc/sec @ 1 atmosphere differential.<br/>                     Dielectric withstanding voltage - Consult factory or MIL-STD-1669.<br/>                     Insulation resistance - 5000 megohms min @500VDC.</li> <li>5. Consult factory or MIL-STD-1669 for arrangement and insert position options.</li> <li>6. Metric Dimensions (mm) are indicated in parentheses.</li> </ol> |
|---|---|

**230-035**  
**MIL-DTL-26482 Series I Type Hermetic**  
**Bayonet Coupling Narrow Flange Mount Receptacle**  
**MS3112 Type**



MIL-DTL-26482  
Type

D

HERMETIC LEAK RATE MOD CODES	
Designator	Required Leak Rate
-585A	1 x 10 <sup>-10</sup> cc Helium per second
-585B	1 x 10 <sup>-9</sup> cc Helium per second
-585C	1 x 10 <sup>-8</sup> cc Helium per second

TABLE I: CONNECTOR AND CUT-OUT DIMENSIONS									
Shell Size	A Max Length	B Mounting Holes $\varnothing$ to $\varnothing$	C Dia Mounting Locator	D Dia Min	F Mounting Flange Location	G Flange Thickness	J Max	L Max Overall Length	P Min Edge Distance
8	.828 (21.0)	.594 (15.1)	.469/.422 (11.9/10.7)	.403 (10.2)	.462/.431 (11.7/10.9)	.078/.046 (2.0/1.2)	.354 (9.0)	.978 (24.8)	.035 (0.89)
10	.954 (24.2)	.719 (18.3)	.593/.546 (15.1/13.9)	.515 (13.1)	.462/.431 (11.7/10.9)	.078/.046 (2.0/1.2)	.354 (9.0)	.978 (24.8)	.035 (0.89)
12	1.047 (26.6)	.812 (20.6)	.719/.672 (18.3/17.1)	.630 (16.0)	.462/.431 (11.7/10.9)	.078/.046 (2.0/1.2)	.354 (9.0)	.978 (24.8)	.035 (0.89)
14	1.141 (29.0)	.906 (23.0)	.843/.796 (21.4/20.2)	.755 (19.2)	.462/.431 (11.7/10.9)	.078/.046 (2.0/1.2)	.354 (9.0)	.978 (24.8)	.035 (0.89)
16	1.234 (31.3)	.969 (24.6)	.969/.922 (24.6/23.4)	.880 (22.4)	.462/.431 (11.7/10.9)	.078/.046 (2.0/1.2)	.354 (9.0)	.978 (24.8)	.035 (0.89)
18	1.328 (33.7)	1.062 (27.0)	1.093/1.046 (27.8/26.6)	.980 (24.9)	.462/.431 (11.7/10.9)	.078/.046 (2.0/1.2)	.354 (9.0)	.978 (24.8)	.035 (0.89)
20	1.453 (36.9)	1.156 (29.4)	1.219/1.172 (31.0/29.8)	1.105 (28.1)	.587/.556 (14.9/14.1)	.110/.078 (2.8/2.0)	.417 (10.6)	1.196 (29.9)	.050 (1.27)
22	1.578 (40.1)	1.250 (31.8)	1.343/1.296 (34.1/32.9)	1.230 (31.2)	.587/.556 (14.9/14.1)	.110/.078 (2.8/2.0)	.417 (10.6)	1.196 (29.9)	.050 (1.27)
24	1.703 (43.3)	1.375 (34.9)	1.469/1.422 (37.3/36.1)	1.385 (35.2)	.587/.556 (14.9/14.1)	.110/.078 (2.8/2.0)	.445 (11.3)	1.196 (29.9)	.050 (1.27)