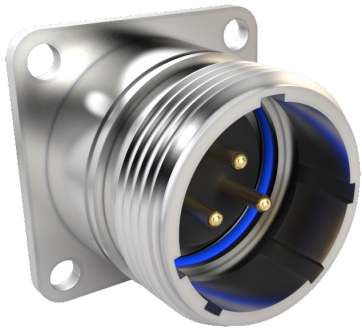


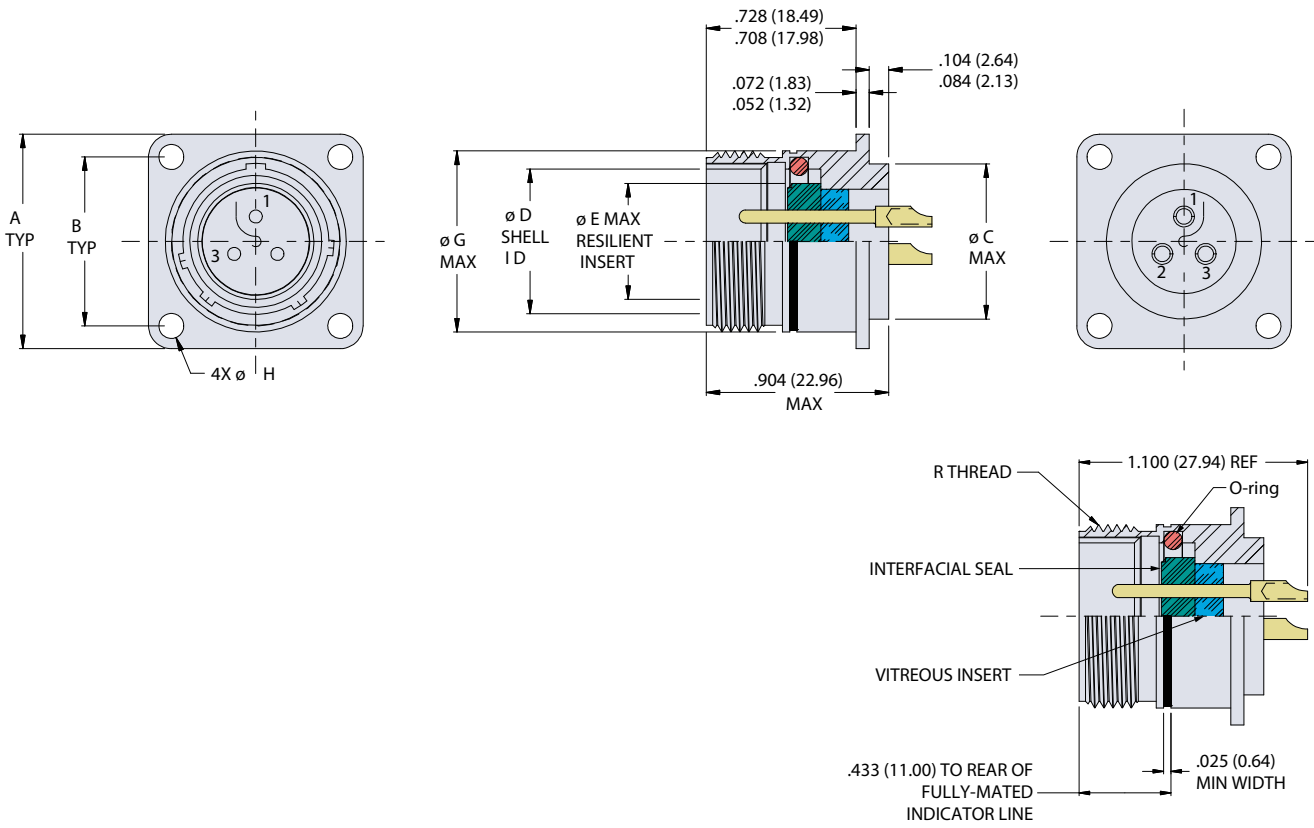
230-045
MIL-DTL-26500 Type Hermetic Class Receptacle
Square Flange Mount, Threaded Coupling, MS24264 Type



How To Order: Commercial

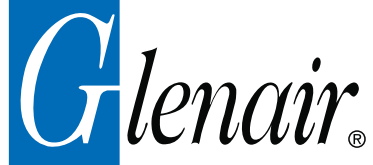
<p>Connector Material / Finish <i>FT - Carbon Steel, Tin Plate</i> <i>Z1 - Stainless Steel - Passivate Finish</i> <i>ZL - Stainless Steel - Nickel Plated</i></p>	<p>Insert Arrangement Per MIL-STD-1554 See Pages F-2 – F-3</p>	<p>Alternate Key Position 6, 7, 8, 9, and Y (Omit for Normal)</p>		
230-045	Z1	12 - 3	P	6
<p>Basic Series Supersedes 237-165</p>	<p>Shell Size See Table I</p>	<p>Contact Termination <i>P - Pin, Solder Cup</i> <i>X - Pin, Eyelet</i></p>		

F



Dimensions in Inches (millimeters) are subject to change without notice.

230-045
MIL-DTL-26500 Type Hermetic Class Receptacle
Square Flange Mount, Threaded Coupling, MS24264 Type



MIL-DTL-26500
Type

TABLE I: Shell Size, Connector Dimensions and Panel Cut-Out

Shell Size	A	B	CØ Max	DØ Shell I.D.	EØ Resilient Insert	GØ Max	HØ Thru 4 Pl.	R Coupling Thread UNEF-2A	Panel Cutout Front Mount Min Ø	Panel Cutout Rear Mount Min Ø
8	0.812 (20.6)	0.594 (15.1)	.437 (11.10) .428 (10.87)	.433 (11.00) .428 (10.87)	.318 (8.08)	0.561 (14.2)	.125 (3.18) .116 (2.95)	.5625-24	.447 (11.35)	.570 (14.48)
10	0.937 (23.8)	0.719 (18.3)	.562 (14.27) .554 (14.07)	.535 (13.59) .530 (13.46)	.394 (10.01)	0.696 (17.7)	.125 (3.18) .116 (2.95)	.6875-24	.572 (14.53)	.695 (17.65)
12	1.031 (26.2)	0.812 (20.6)	.750 (19.05) .728 (18.49)	.705 (17.91) .700 (17.78)	.564 (14.33)	0.875 (22.2)	.125 (3.18) .116 (2.95)	.8750-20	.760 (19.30)	.882 (22.40)
14	1.125 (28.6)	0.906 (23.0)	.812 (20.62) .796 (20.22)	.774 (19.66) .769 (19.53)	.633 (16.08)	0.935 (23.7)	.125 (3.18) .116 (2.95)	.9375-20	.822 (20.88)	.945 (24.00)
16	1.250 (31.8)	0.969 (24.6)	.938 (23.83) .923 (23.44)	.901 (22.89) .896 (22.76)	.760 (19.30)	1.062 (27.0)	.125 (3.18) .116 (2.95)	1.0625-18	.948 (24.08)	1.070 (27.18)
18	1.343 (34.1)	1.062 (27.0)	1.062 (26.97) 1.029 (26.14)	1.007 (25.58) 1.002 (25.45)	.866 (22.00)	1.187 (30.1)	.125 (3.18) .116 (2.95)	1.1875-18	1.072 (27.23)	1.195 (30.35)
20	1.437 (36.5)	1.156 (29.4)	1.182 (30.02) 1.156 (29.36)	1.132 (28.75) 1.125 (28.58)	.991 (25.17)	1.312 (33.3)	.125 (3.18) .116 (2.95)	1.3125-18	1.192 (30.28)	1.320 (33.53)
22	1.562 (39.7)	1.250 (31.8)	1.312 (33.32) 1.279 (32.49)	1.257 (31.93) 1.252 (31.80)	1.116 (28.35)	1.437 (36.5)	.125 (3.18) .116 (2.95)	1.4375-18	1.322 (33.58)	1.440 (36.58)
24	1.703 (43.3)	1.375 (34.9)	1.432 (36.37) 1.406 (35.71)	1.382 (35.10) 1.377 (34.98)	1.241 (31.52)	1.562 (39.7)	.154 (3.91) .145 (3.68)	1.5625-18	1.442 (36.63)	1.570 (39.88)

F

APPLICATION NOTES

- Glenair 230-045 will mate with any QPL MIL-DTL-26500 threaded coupling plug of same size, keyway, and insert polarization
- Performance:
 Hermeticity - $<10^{-7}$ ccHe/sec @ 1 atmosphere differential
 Dielectric withstanding voltage - consult factory or MIL-STD-1554
 Insulation resistance - 5000 megohms min @ 500VDC
- Material/ Finish:
 Shell: 300 series CRES / per P/N development
 Contacts—52 Nickel alloy/Gold plated
 Insulator—Glass
 Seals—fluorosilicone elastomer

Dimensions in Inches (millimeters) are subject to change without notice.