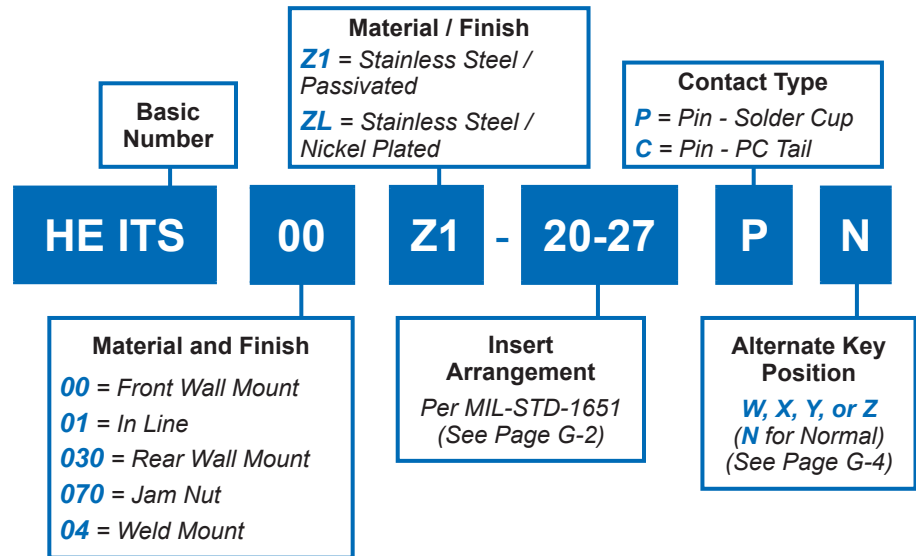




# HE-ITS

## MIL-DTL-5015 Type Hermetic Bayonet Coupling Connectors


**Table I: Hermetic Leak Rate Mode Codes**

Designator	Required Leak Rate
-585A	1 x 10 <sup>-10</sup> cc Helium per second
-585B	1 x 10 <sup>-9</sup> cc Helium per second
-585C	1 x 10 <sup>-8</sup> cc Helium per second

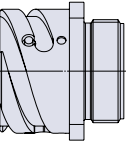
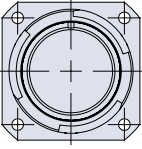
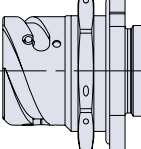
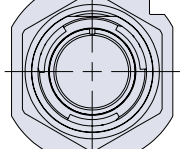
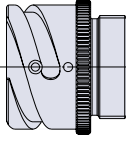
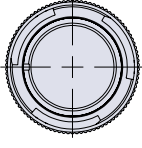
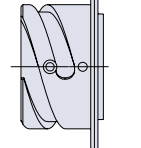
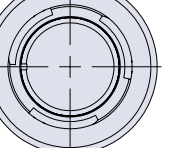
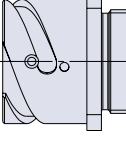
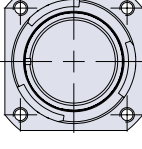
**Table II: Contact Style**

	
P = Pin - Solder Cup	C = Pin - PC Tail

**Table III: Service Rating**

Service Rating	Working Voltage (Volts RMS)
Inst	200
A	500
D	900
E	1250
B	1750
C	3000

**Table II: Connector Style**

			
00 = Front Panel Mount	070 = Jam Nut		
			
01 = In Line	04 = Weld Mount		
			
030 = Rear Panel Mount			

**APPLICATION NOTES**

- To be identified with manufacturer's name, part number and date code, space permitting.
- Will mate with any MIL-DTL-5015 Series bayonet coupling plug of same size and insert polarization.
- Performance:  
Hermeticity - <math>1 \times 10^{-7}</math> cc/Sec @ 1 Atm. differential.  
Dielectric Withstanding Voltage - See Table III.  
Insulation Resistance - 5000 Megohms min @ 500VDC.
- Material/Finish:
  - Stainless steel / passivated;
  - Stainless steel / nickel plated;

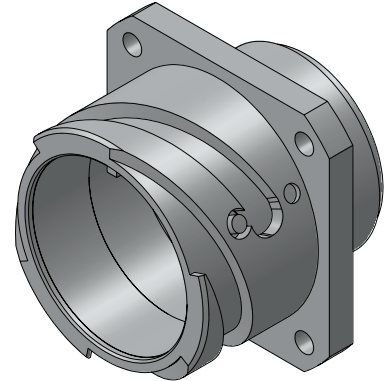
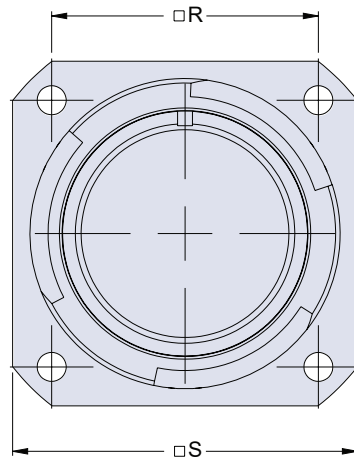
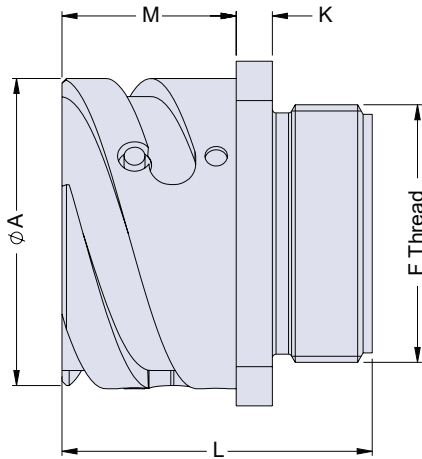
Dimensions in Inches (millimeters) are subject to change without notice.

**HE-ITS**  
**MIL-DTL-5015 Type Hermetic**  
**Bayonet Coupling Connectors**



MIL-DTL-5015  
Type

**00 - FRONT PANEL MOUNT SQUARE FLANGE RECEPTACLE WITH ACCESSORY MOUNTING THREADS**



**G**

Dimensions								
Shell Size	ØA + .008 (+0.2) - .004 (-0.1)	K ±.008 (±0.2)	L Max.	M + .016 (+0.4) - 0 (-0)	R ±.007 (±0.2)	S ±.007 (±0.2)	ØT - .004 (-0.1) - 0 (-0)	F Thread
10SL	.717 (18.2)	.110 (2.8)	.972 (24.7)	.559 (14.2)	.719 (18.3)	1.000 (25.4)	.126 (3.2)	.06250 - 24 UNEF
14S	.965 (24.5)	.126 (3.2)	.980 (24.9)	.559 (14.2)	.906 (23.0)	1.197 (30.4)	.126 (3.2)	0.7500 - 20 UNEF
16S	1.071 (27.2)	.126 (3.2)	.980 (24.9)	.559 (14.2)	.969 (24.6)	1.280 (32.5)	.126 (3.2)	0.8750 - 20UNEF
16	1.071 (27.2)	.126 (3.2)	1.335 (33.9)	.748 (19.0)	.969 (24.6)	1.280 (32.5)	.126 (3.2)	0.8750 - 20UNEF
18	1.209 (30.7)	.157 (4.0)	1.350 (34.3)	.748 (19.0)	1.063 (27.0)	1.378 (35.0)	.126 (3.2)	1.0000 - 20UNEF
20	1.339 (34.0)	.157 (4.0)	1.350 (34.3)	.748 (19.0)	1.157 (29.4)	1.496 (38.0)	.126 (3.2)	1.1250 - 18UNEF
22	1.469 (37.3)	.157 (4.0)	1.350 (34.3)	.748 (19.0)	1.250 (31.8)	1.614 (41.0)	.126 (3.2)	1.2500 - 18UNEF
24	1.610 (40.9)	.157 (4.0)	1.409 (35.8)	.811 (20.6)	1.374 (34.9)	1.752 (44.5)	.146 (3.7)	1.3750 - 18UNEF
28	1.839 (46.7)	.157 (4.0)	1.409 (35.8)	.811 (20.6)	1.563 (39.7)	2.004 (50.9)	.146 (3.7)	1.6250 - 18UNEF
32	2.102 (53.4)	.157 (4.0)	1.472 (37.4)	.874 (22.2)	1.752 (44.5)	2.244 (57.0)	.169 (4.3)	1.8750 - 16UN
36	2.346 (59.6)	.157 (4.0)	1.472 (37.4)	.874 (22.2)	1.937 (49.2)	2.500 (63.5)	.169 (4.3)	2.0625 - 16UNS

Dimensions in Inches (millimeters) are subject to change without notice.

© 2013 Glenair, Inc.

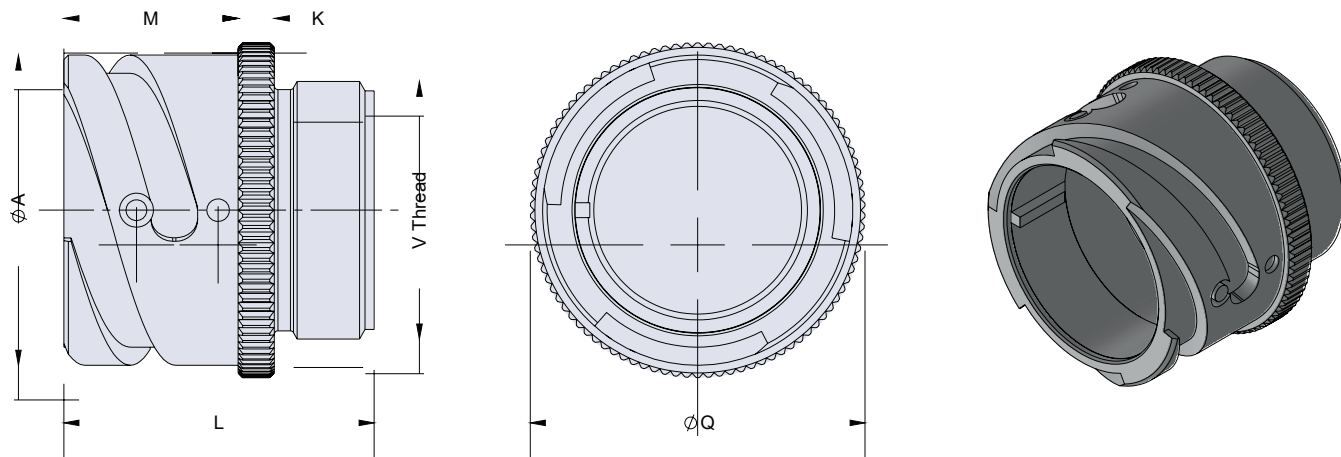
U.S. CAGE Code 06324

Printed in U.S.A.

**GLENAIR, INC. • 1211 AIR WAY • GLENDALE, CA 91201-2497 • 818-247-6000 • FAX 818-500-9912**  
**www.glenair.com** **G-27** **E-Mail: sales@glenair.com**

Rev. 06072024

### 01 -IN-LINE CYLINDRICAL RECEPTACLE WITH ACCESSORY MOUNTING THREAD



01 -In-Line Cylindrical Receptacle with Accessory Mounting Thread

Shell Size	0A +0.008 (+0.2) -0.004 (-0.1)	K ±0.008 (±0.2)	L Max.	M +0.016 (+0.4) -0 (-0)	Q -0.004 (-0.1)	V Thread
10SL	0.717 (18.21)	0.110 (2.79)	0.972 (24.69)	0.559 (14.20)	0.858 (21.79)	0.6250-24UNEF
145	0.965 (24.51)	0.126 (3.20)	0.980 (24.89)	0.559 (14.20)	1.134 (28.80)	0.7500-20UNEF
165	1.071 (27.20)	0.126 (3.20)	0.980 (24.89)	0.559 (14.20)	1.201 (30.51)	0.8750- 20UNEF
16	1.071 (27.20)	0.126 (3.20)	1.335 (33.91)	0.748 (19.00)	1.201 (30.51)	0.8750- 20UNEF
18	1.209 (30.71)	0.157 (3.99)	1.350 (34.29)	0.748 (19.00)	1.331 (33.81)	1.0000- 20UNEF
20	1.339 (34.01)	0.157 (3.99)	1.346 (34.19)	0.748 (19.00)	1.453 (36.91)	1.1250-18UNEF
22	1.469 (37.31)	0.157 (3.99)	1.350 (34.29)	0.748 (19.00)	1.555 (39.50)	1.2500- 18UNEF
24	1.610 (40.89)	0.157 (3.99)	1.409 (35.79)	0.811 (20.60)	1.728 (43.89)	1.3750-18UNEF
28	1.839 (46.71)	0.157 (3.99)	1.409 (35.79)	0.811 (20.60)	1.906 (48.41)	1.6250-18UNEF
32	2.102 (53.39)	0.157 (3.99)	1.472 (37.39)	0.874 (22.20)	2.205 (56.01)	1.8750-16UN
36	2.346 (59.59)	0.157 (3.99)	1.472 (37.39)	0.874 (22.20)	2.457 (62.41)	2.0625-16UNS

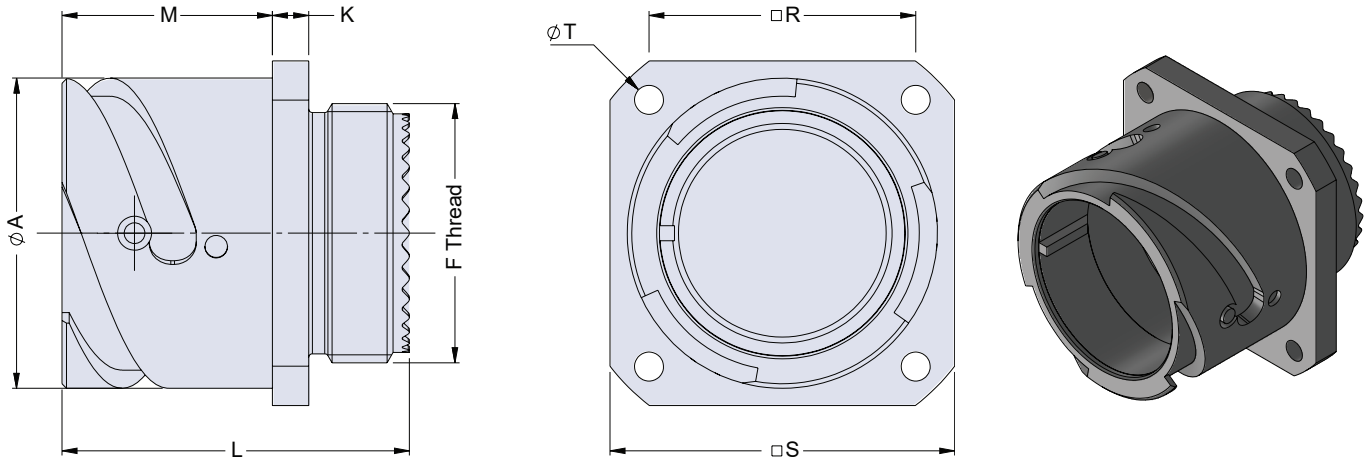
Dimensions in Inches (millimeters) are subject to change without notice.

**HE-ITS**  
**MIL-DTL-5015 Type Hermetic**  
**Bayonet Coupling Connectors**



MIL-DTL-5015  
Type

**030 - REAR PANEL MOUNT SQUARE FLANGE RECEPTACLE WITH ACCESSORY MOUNTING THREADS**



**G**

**030 - Rear Panel Mount Square Flange Receptacle with Accessory Mounting Threads**

Shell Size	0A + .008 (+0.2) - .004 (-0.1)	K ±.007 (±0.2)	L + .008 (+0.2) - 0 (-0.)	M + .008 (+0.2) - 0 (-0.)	R ±.008 (±0.2)	S ±.008 (±0.2)	T Thread	V Thread
10SL	0.717 (18.25)	0.110 (2.8)	1.181 (30.0)	0.724 (18.4)	0.719 (18.25)	1.000 (25.4)	M4	0.6250-24UNEF
145	0.965 (24.5)	0.126 (3.2)	1.181 (30.0)	0.724 (18.4)	0.906 (23.0)	1.197 (30.4)	M4	0.7500-20UNEF
165	1.071 (27.2)	0.126 (3.2)	1.181 (30.0)	0.724 (18.4)	0.969 (24.6)	1.280 (32.5)	M4	0.8750- 20UNEF
16	1.071 (27.2)	0.126 (3.2)	1.457 (37.0)	0.913 (23.2)	0.969 (24.6)	1.280 (32.5)	M4	0.8750- 20UNEF
18	1.209 (30.7)	0.157 (4.0)	1.417 (36.0)	0.913 (23.2)	1.063 (27.0)	1.378 (35.0)	M4	1.0000- 20UNEF
20	1.339 (34.0)	0.157 (4.0)	1.508 (38.3)	0.913 (23.2)	1.157 (29.4)	1.496 (38.0)	M4	1.1250-18UNEF
22	1.469 (37.3)	0.157 (4.0)	1.457 (37.0)	0.913 (23.2)	1.250 (31.75)	1.614 (41.0)	M4	1.2500- 18UNEF
24	1.610 (40.9)	0.157 (4.0)	1.457 (37.0)	0.953 (24.2)	1.374 (34.9)	1.752 (44.5)	M4	1.3750-18UNEF
28	1.839 (46.7)	0.157 (4.0)	1.555 (39.5)	0.953 (24.2)	1.563 (39.7)	2.004 (50.9)	M5	1.6250-18UNEF
32	2.102 (53.4)	0.157 (4.0)	1.555 (39.5)	0.953 (24.2)	1.752 (44.5)	2.244 (57.0)	M5	1.8750-16UN
36	2.346 (59.6)	0.157 (4.0)	1.555 (39.5)	0.953 (24.2)	1.937 (49.2)	2.500 (63.5)	M5	2.0625-16UNS

Dimensions in Inches (millimeters) are subject to change without notice.

© 2013 Glenair, Inc.

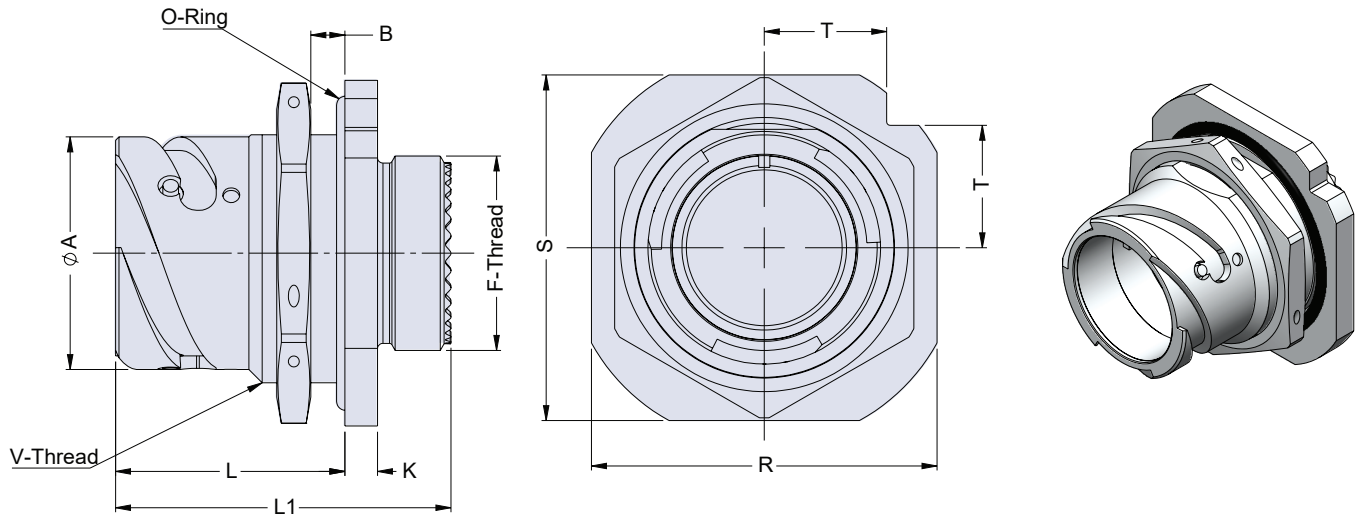
U.S. CAGE Code 06324

Printed in U.S.A.

**GLENAIR, INC. • 1211 AIR WAY • GLENDALE, CA 91201-2497 • 818-247-6000 • FAX 818-500-9912**  
**www.glenair.com** **G-29** **E-Mail: sales@glenair.com**

Rev. 06072024

### 070 - JAM NUT MOUNT CYLINDRICAL RECEPTACLE WITH ACCESSORY MOUNTING THREAD



**070 - Jam Nut Mount Cylindrical Receptacle with Accessory Mounting Thread**

Shell Size	ØA + .008 (+0.2) - .004 (-0.1)	K ±.007 (±0.2)	L Max.	M +.016 (+0.4) - 0 (-0)	Q -.004 (-0.1)	V Thread
10SL	0.717 (18.21)	0.110 (2.79)	0.972 (24.69)	0.559 (14.20)	0.858 (21.79)	0.6250-24UNEF
145	0.965 (24.51)	0.126 (3.20)	0.980 (24.89)	0.559 (14.20)	1.134 (28.80)	0.7500-20UNEF
165	1.071 (27.20)	0.126 (3.20)	0.980 (24.89)	0.559 (14.20)	1.201 (30.51)	0.8750- 20UNEF
16	1.071 (27.20)	0.126 (3.20)	1.335 (33.91)	0.748 (19.00)	1.201 (30.51)	0.8750- 20UNEF
18	1.209 (30.71)	0.157 (3.99)	1.350 (34.29)	0.748 (19.00)	1.331 (33.81)	1.0000- 20UNEF
20	1.339 (34.01)	0.157 (3.99)	1.346 (34.19)	0.748 (19.00)	1.453 (36.91)	1.1250-18UNEF
22	1.469 (37.31)	0.157 (3.99)	1.350 (34.29)	0.748 (19.00)	1.555 (39.50)	1.2500- 18UNEF
24	1.610 (40.89)	0.157 (3.99)	1.409 (35.79)	0.811 (20.60)	1.728 (43.89)	1.3750-18UNEF
28	1.839 (46.71)	0.157 (3.99)	1.409 (35.79)	0.811 (20.60)	1.906 (48.41)	1.6250-18UNEF
32	2.102 (53.39)	0.157 (3.99)	1.472 (37.39)	0.874 (22.20)	2.205 (56.01)	1.8750-16UN
36	2.346 (59.59)	0.157 (3.99)	1.472 (37.39)	0.874 (22.20)	2.457 (62.41)	2.0625-16UNS

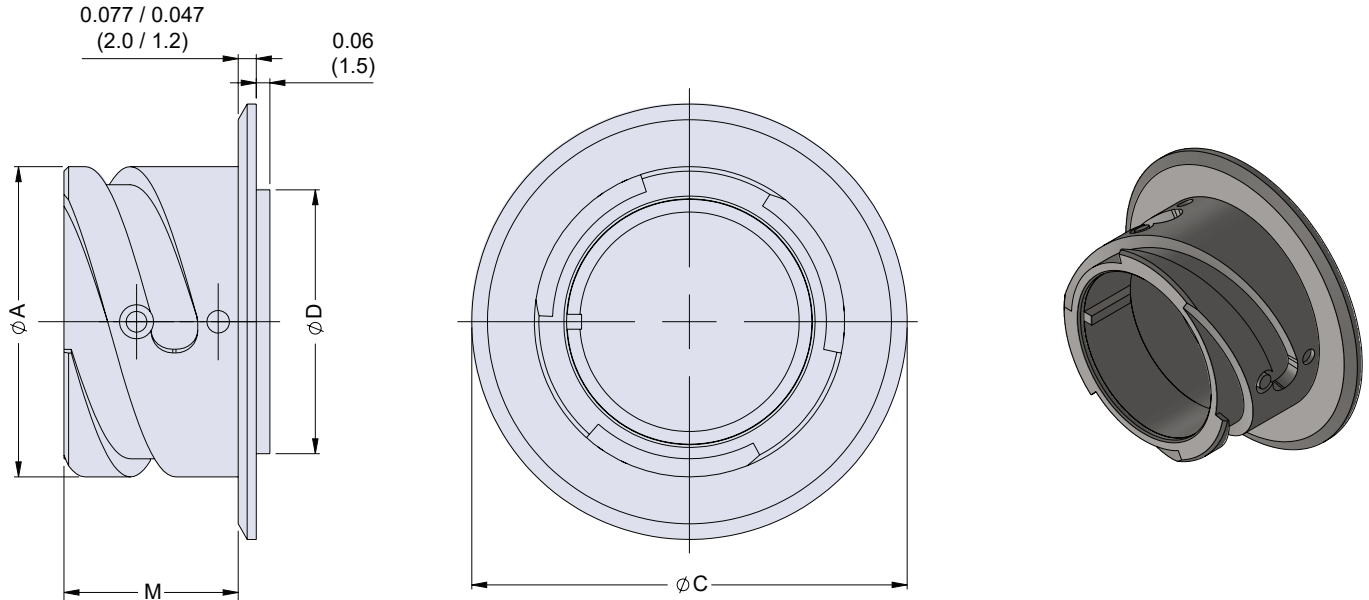
Dimensions in Inches (millimeters) are subject to change without notice.

**HE-ITS**  
**MIL-DTL-5015 Type Hermetic**  
**Bayonet Coupling Connectors**



MIL-DTL-5015  
Type

**04 - FRONT PANEL SOLDER MOUNT RECEPTACLE**



**G**

04 - Front Panel Solder Mount Receptacle				
Shell Size	$\phi A$ + .008 (+0.2) - .004 (-0.1)	C $\pm 0.25$	D $\pm 0.10 (\pm 0.25)$	M + .016 (+0.4) - 0 (-0)
10SL	0.874 (22.2)	1.299 (33.0)	0.488 (12.4)	0.559 (14.2)
145	0.965 (24.5)	1.575 (40.0)	0.709 (18.0)	0.559 (14.2)
165	1.071 (27.2)	1.654 (42.0)	0.835 (21.2)	0.559 (14.2)
16	1.071 (27.2)	1.654 (42.0)	0.835 (21.2)	0.748 (19.0)
18	1.209 (30.7)	1.772 (45.0)	0.961 (24.4)	0.748 (19.0)
20	1.339 (34.0)	1.890 (48.0)	1.146 (29.1)	0.748 (19.0)
22	1.469 (37.3)	2.126 (54.0)	1.240 (31.5)	0.748 (19.0)
24	1.610 (40.9)	2.323 (59.0)	1.366 (34.7)	0.811 (20.6)
28	1.839 (46.7)	2.559 (65.0)	1.614 (41.0)	0.811 (20.6)
32	2.102 (53.4)	2.953 (75.0)	1.866 (47.4)	0.874 (22.2)
36	2.346 (59.6)	3.303 (83.9)	2.114 (53.7)	0.874 (22.2)

Dimensions in Inches (millimeters) are subject to change without notice.

© 2013 Glenair, Inc.

U.S. CAGE Code 06324

Printed in U.S.A.

**GLENAIR, INC. • 1211 AIR WAY • GLENDALE, CA 91201-2497 • 818-247-6000 • FAX 818-500-9912**  
**www.glenair.com** **G-31** **E-Mail: sales@glenair.com**

Rev. 06072024