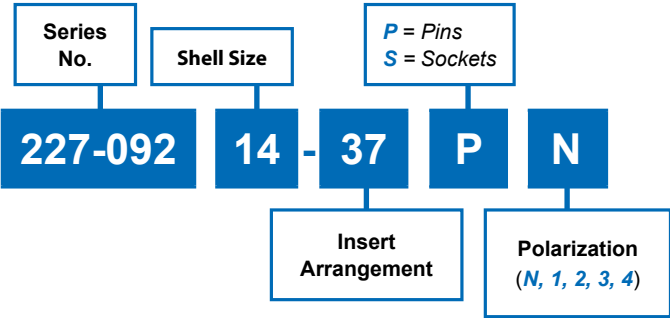


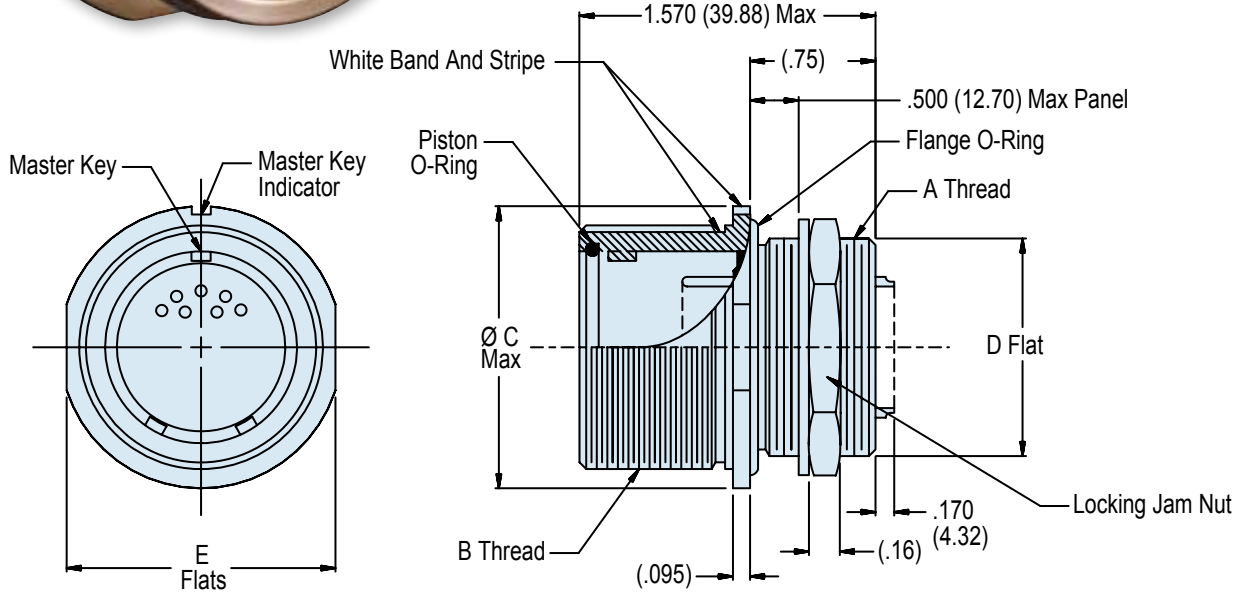


227-092
Special Scoop-Proof Jam Nut Receptacle
Shell Sizes -10, -12 and -14

How To Order



H



Prior to use, lubricate O-Rings with high grade silicone lubricant (Moly-Kote M55 or equivalent).

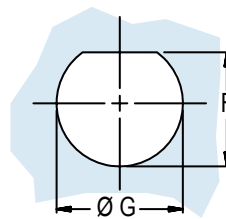
APPLICATION NOTES
1. Current rating: Size 22 contact - 500 VDC, 3 Amps.
2. Hydrostatic pressure rating: 5000 PSI, fully mated.
3. Insulation resistance: 1000 MegOhms min at 500 VDC.

227-092
Special Scoop-Proof Jam Nut Receptacle
 Shell Sizes -10, -12 and -14



Dimensions							
SHELL SIZE	A THREAD CLASS 2A	B THREAD CLASS 2A	C DIA	D FLAT	E FLATS	F +.005 -(0.1)	G +.005 -(0.1)
-10	5/8-24 UNEF	.750 -.1P -.1L	1.030 (26.16)	.594 (15.09)	.875 (22.23)	.606 (15.39)	.645 (16.38)
-12	3/4-20 UNEF	.875 -.1P -.1L	1.160 (29.46)	.709 (18.01)	1.000 (25.40)	.721 (18.31)	.770 (19.56)
-14	7/8-20 UNEF	1.000 -.1P -.1L	1.280 (32.51)	.834 (21.18)	1.125 (28.58)	.846 (21.49)	.895 (22.73)

Metric dimensions (mm) are indicated in parentheses.



**Recommended
Panel Cut-out**



Metric dimensions (mm) are indicated in parentheses