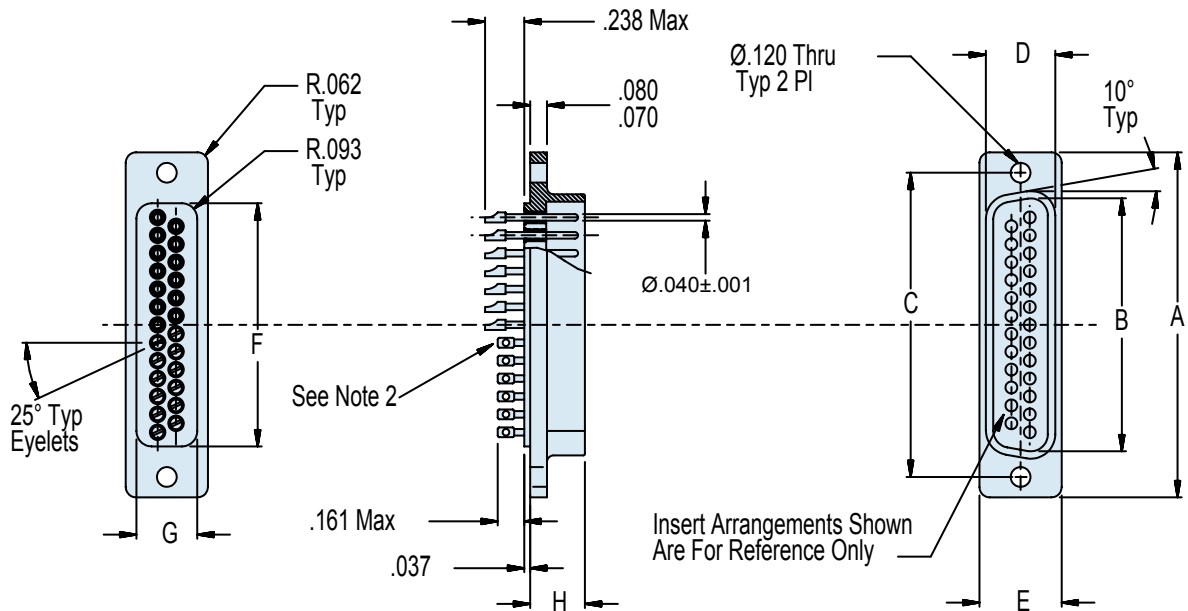
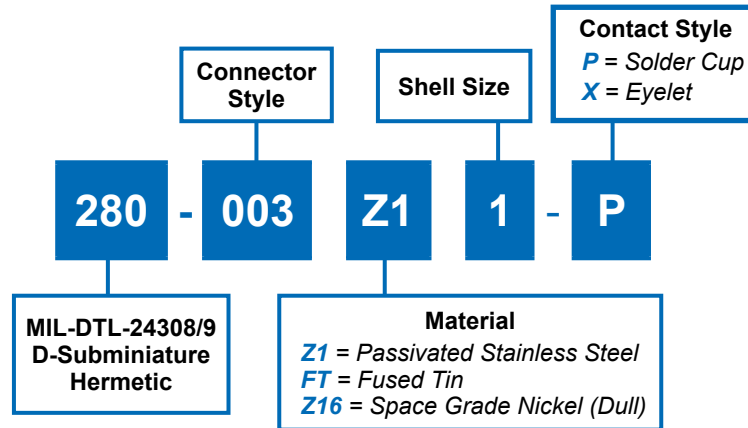


280-003
MIL-DTL-24308/9 Type Hermetic
Glass-Sealed D-Subminiature Receptacle



MIL-DTL-24308
Type



APPLICATION NOTES

- To be identified with manufacturer's name, part number and date code, space permitting.
- Contact Style: Eyelet or Solder Cup (See Part Number Development)
- Material/Finish:
 Shell: Z1 = Stainless steel/passivated.
 FT = Cold rolled steel/fused tin plate.
 Z16 = Stainless steel/nickel plated, dull finish
- Insulators - Glass bead/N.A.
- Contacts: Pins, Alloy 52/gold plated
- Metric Dimensions (mm) are indicated in parentheses.
- Test Criteria:
 - Hermeticity: 1×10^{-7} ccHe/sec@ 1 ATM delta pressure
 - DWV: 750 VAC pin to shell without breakdown
 - Insulation Resistance: 5000 megohms min @ 500 VDC

Dimensions in Inches (millimeters) are subject to change without notice.



280-003
MIL-DTL-24308/9 Type Hermetic
Glass-Sealed D-Subminiature Receptacle

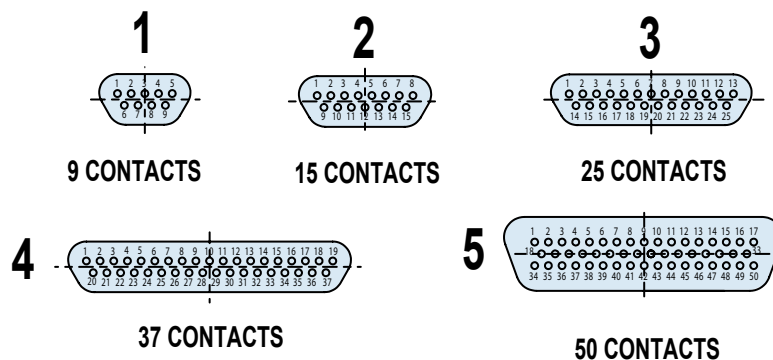


TABLE I: CONNECTOR DIMENSIONS

Shell Size	Dim A ± .010 (± 0.3)	Dim B ± .004 (± 0.1)	Dim C ± .005 (± 0.1)	Dim D ± .010 (± 0.3)	Dim E ± .010 (± 0.3)	Dim F ± .010 (± 0.3)	Dim G ± .010 (± 0.3)	Dim H ± .015 (± 0.4)
1	1.208 (30.7)	.667 (16.9)	.984 (25.0)	.366 (9.3)	.498 (12.6)	.725 (18.4)	.369 (9.4)	.334 (8.5)
2	1.545 (39.1)	.993 (25.2)	1.312 (33.3)	.366 (9.3)	.498 (12.6)	.932 (23.7)	.369 (9.4)	.334 (8.5)
3	2.093 (53.1)	1.535 (39.0)	1.852 (47.0)	.384 (9.8)	.498 (12.6)	1.479 (37.6)	.369 (9.4)	.334 (8.5)
4	2.733 (69.3)	2.183 (55.4)	2.500 (63.5)	.384 (9.8)	.498 (12.6)	2.125 (54.0)	.369 (9.4)	.334 (8.5)
5	2.640 (67.0)	2.079 (52.8)	2.406 (61.1)	.490 (12.4)	.610 (15.5)	2.000 (50.8)	.500 (12.7)	.334 (8.5)

Dimensions in Inches (millimeters) are subject to change without notice.