

970-012 Hermetic Receptacles

Series 970 PowerTrip™ hermetic receptacles feature 316L stainless steel shells and compression glass insulators. Solder cup contacts are nickel-iron alloy and are non-removable. Socket contacts have copper alloy louverband spring for multiple points of electrical contact. Coupling threads are triple-start ACME type. Iron-nickel alloy contacts are silver plated for higher conductivity or gold plated for improved corrosion protection in space or petrochemical environments. Fluorosilicone rubber face seal on pin connector. Stainless steel shells are passivated, or choose nickel plating for improved shell-to-shell conductivity and EMI protection. Hermeticity is 1×10^{-7} cc/sec maximum helium leak rate at one atmosphere pressure differential.

HOW TO ORDER

Sample Part Number

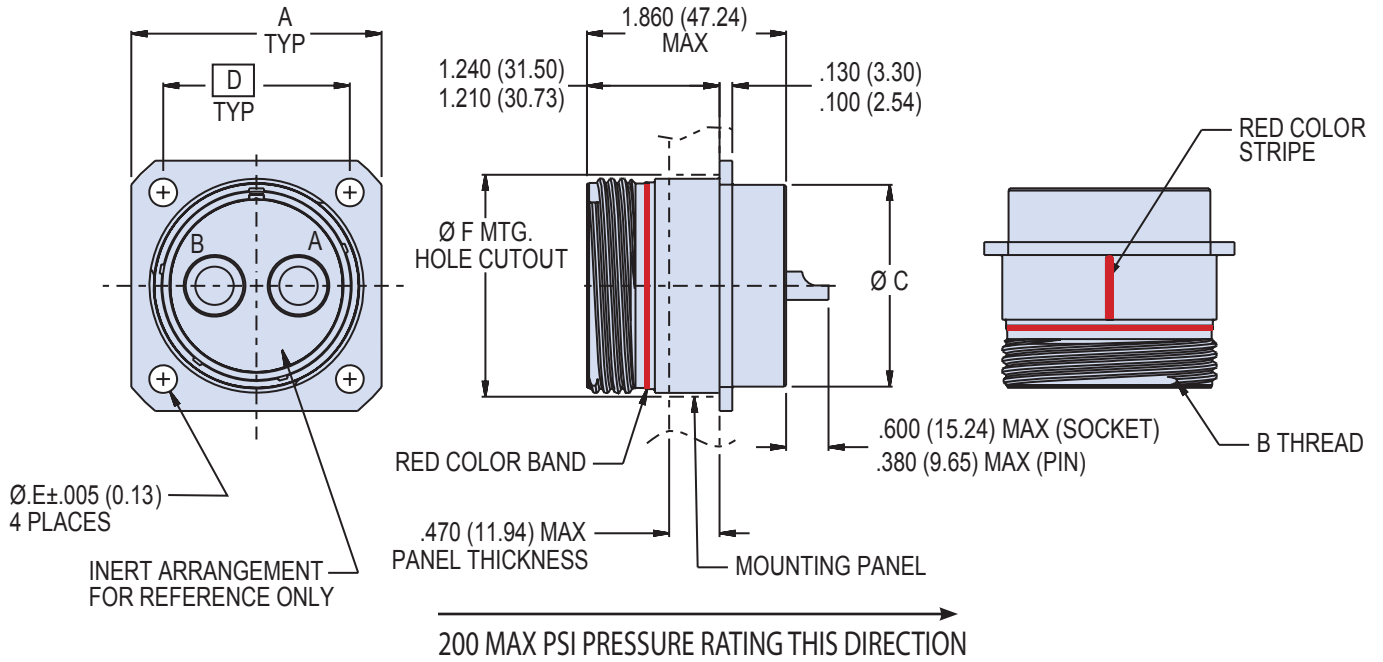
970-012	Z1	32-5	P1	N	-1																																																																																																																																			
Series	Shell Material and Finish	Shell Size - Insert Arrangement	Contact Type and Plating	Mounting Hole Option	Key Position																																																																																																																																			
970-012 Series 970 Receptacle, Square Flange Panel Mounting If Required, uses Flange Gasket 930-014-** (Not Included)	Stainless Steel Shell Z1 Passivated SST ZL Electrodeposited Nickel over SST	<table border="1"> <thead> <tr> <th rowspan="2">Contact Arr.</th> <th colspan="5">Contact Size and Qty</th> </tr> <tr> <th>#16</th> <th>#12</th> <th>#8</th> <th>#4</th> <th>#1/0</th> </tr> </thead> <tbody> <tr><td>18-2</td><td></td><td></td><td>2</td><td></td><td></td></tr> <tr><td>18-4</td><td></td><td>2</td><td>2</td><td></td><td></td></tr> <tr><td>20-3</td><td></td><td></td><td>3</td><td></td><td></td></tr> <tr><td>20-4</td><td></td><td></td><td>4</td><td></td><td></td></tr> <tr><td>20-5</td><td></td><td>2</td><td>3</td><td></td><td></td></tr> <tr><td>20-7</td><td>4</td><td></td><td>3</td><td></td><td></td></tr> <tr><td>24-2</td><td></td><td></td><td></td><td>2</td><td></td></tr> <tr><td>24-3</td><td></td><td></td><td></td><td>3</td><td></td></tr> <tr><td>24-5</td><td></td><td></td><td>5</td><td></td><td></td></tr> <tr><td>24-6</td><td></td><td>4</td><td></td><td>2</td><td></td></tr> <tr><td>24-A6</td><td></td><td>3</td><td></td><td>3</td><td></td></tr> <tr><td>28-4</td><td></td><td></td><td></td><td>4</td><td></td></tr> <tr><td>28-9</td><td>5</td><td></td><td></td><td>4</td><td></td></tr> <tr><td>32-2</td><td></td><td></td><td></td><td></td><td>2</td></tr> <tr><td>32-3</td><td></td><td></td><td></td><td></td><td>3</td></tr> <tr><td>32-4</td><td></td><td></td><td></td><td>2</td><td>2</td></tr> <tr><td>32-5</td><td></td><td></td><td></td><td>5</td><td></td></tr> <tr><td>32-6</td><td></td><td>3</td><td></td><td></td><td>3</td></tr> <tr><td>36-4</td><td></td><td></td><td></td><td></td><td>4</td></tr> <tr><td>40-5</td><td></td><td></td><td></td><td></td><td>5</td></tr> </tbody> </table>	Contact Arr.	Contact Size and Qty					#16	#12	#8	#4	#1/0	18-2			2			18-4		2	2			20-3			3			20-4			4			20-5		2	3			20-7	4		3			24-2				2		24-3				3		24-5			5			24-6		4		2		24-A6		3		3		28-4				4		28-9	5			4		32-2					2	32-3					3	32-4				2	2	32-5				5		32-6		3			3	36-4					4	40-5					5	P1 Pin Contacts, Silver Plating P2 Pin Contacts, Gold Plating S1 Socket Contacts, Silver Plating S2 Socket Contacts, Gold Plating	N Thru-Hole	-1 Position 1 -2 Position 2 -3 Position 3 -4 Position 4 -5 Position 5 -6 Position 6
		Contact Arr.		Contact Size and Qty																																																																																																																																				
			#16	#12	#8	#4	#1/0																																																																																																																																	
		18-2			2																																																																																																																																			
		18-4		2	2																																																																																																																																			
		20-3			3																																																																																																																																			
		20-4			4																																																																																																																																			
		20-5		2	3																																																																																																																																			
		20-7	4		3																																																																																																																																			
		24-2				2																																																																																																																																		
		24-3				3																																																																																																																																		
		24-5			5																																																																																																																																			
		24-6		4		2																																																																																																																																		
		24-A6		3		3																																																																																																																																		
		28-4				4																																																																																																																																		
		28-9	5			4																																																																																																																																		
32-2					2																																																																																																																																			
32-3					3																																																																																																																																			
32-4				2	2																																																																																																																																			
32-5				5																																																																																																																																				
32-6		3			3																																																																																																																																			
36-4					4																																																																																																																																			
40-5					5																																																																																																																																			

970-012
PowerTrip™ Hermetic Bulkhead Feedthrough
Receptacle with Square Flange Mounting

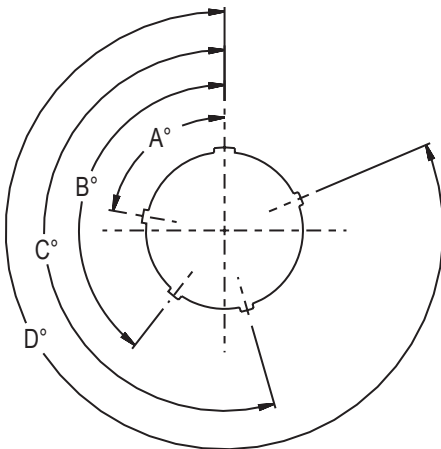


Series 970
 PowerTrip™

970-012 Hermetic Receptacle Connector Dimensions



DIMENSIONS											
Shell Size	Ø A		B Mating Thd.	Ø C		D BSC		Ø E Thru		Ø F Mtg. Hole	
	In.	mm.		In.	mm.	In.	mm.	In.	mm.	In.	mm.
18	1.383	35.13	1.125-.1P-.3L-TS-2A	.972	24.69	1.015	25.78	.146	3.70	1.187	30.15
20	1.508	38.30	1.250-.1P-.3L-TS-2A	1.116	28.35	1.140	28.96			1.374	34.90
24	1.718	43.64	1.500-.1P-.3L-TS-2A	1.300	33.02	1.281	32.54			1.562	39.67
28	2.138	54.31	1.750-.1P-.3L-TS-2A	1.604	40.74	1.568	39.83	.170	4.30	1.874	47.60
32	2.328	59.13	2.000-.1P-.3L-TS-2A	1.875	47.63	1.734	44.04			2.062	52.37
36	2.578	65.48	2.250-.1P-.3L-TS-2A	2.093	53.16	1.984	50.39			2.302	58.47
40	2.828	71.83	2.500-.1P-.3L-TS-2A	2.310	58.67	2.234	56.74	2.562	65.07		



KEY POSITIONS				
Position	A°	B°	C°	D°
1	80	142	196	293
2	135	170	200	310
3	49	169	200	244
4	66	140	200	257
5	62	145	180	280
6	79	153	197	272

MAX CURRENT RATING	
Contact Size	Max Current
16	10
12	17
8	33
4	60
1/0	125