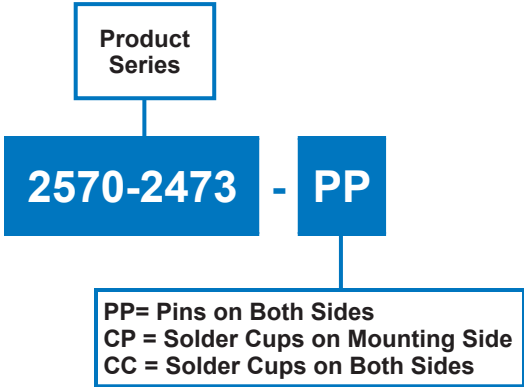
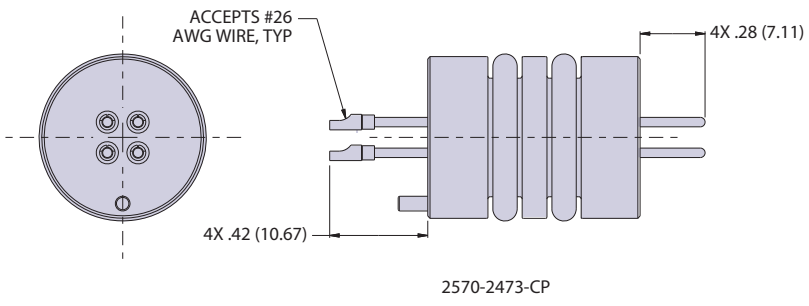
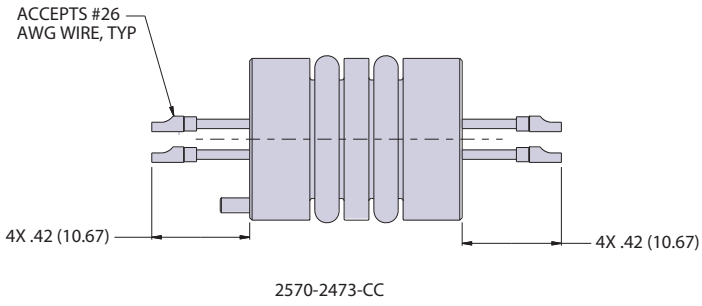
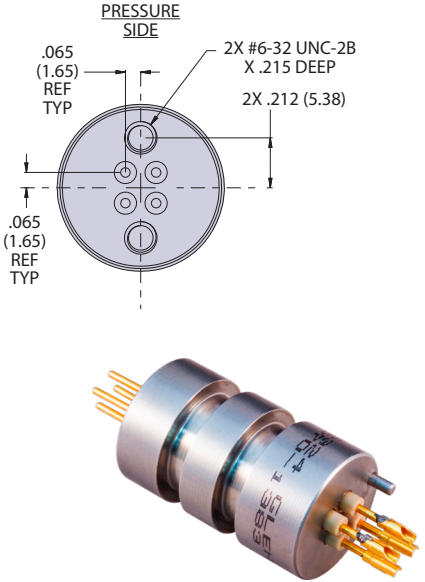
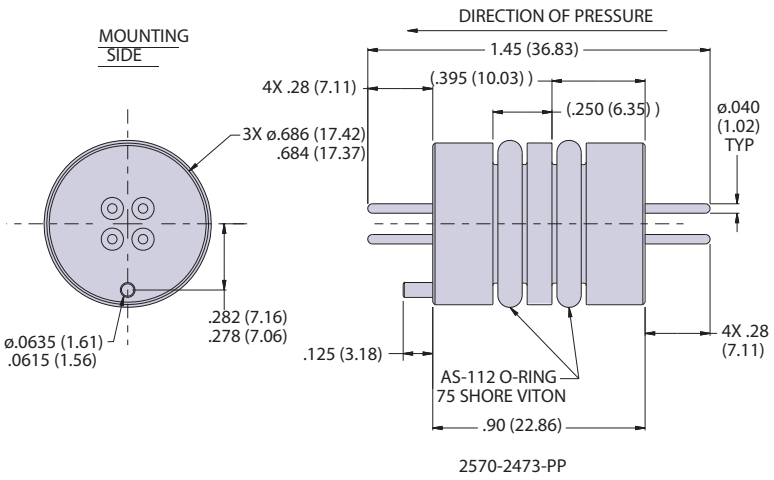




2570-2473 4 Pin Hermetic Penetrator 5000 PSI Rated



Application Notes	
1. All body and mounting features are the same regardless of termination style	4. Performance specifications:
2. Use Glenair 687-008-1 socket for pin termination	• Hermeticity: $<1 \times 10^{-7}$ scche/sec @ 1 Atm Delta P
3. Material / finish:	• Maximum voltage: 500 VDC
• Body: 316l cres / passivate	• Operating voltage: 250 VDC
• Pins: 52 nickel alloy / gold plate	• Temperature: -76°C (-60°C) to 500°F (260°C)
• Insulators - vitreous glass / none	• Current capacity:
• O-ring: fluorocarbon	» 3.3 Amps @ ambient
	» 2.5 Amps @ 500°F (260°C)
	• Pressure - 5,000 psi max in direction indicated
	• Temperature - 500°F (260°C) max



Dimensions in Inches (millimeters) are subject to change without notice.