

**GRF01-0003**  
**Code Red, 50 Ohm SMA/F-SMA-F Coax Connector**  
**Lightweight Hermetic • Bulkhead Feedthrough**



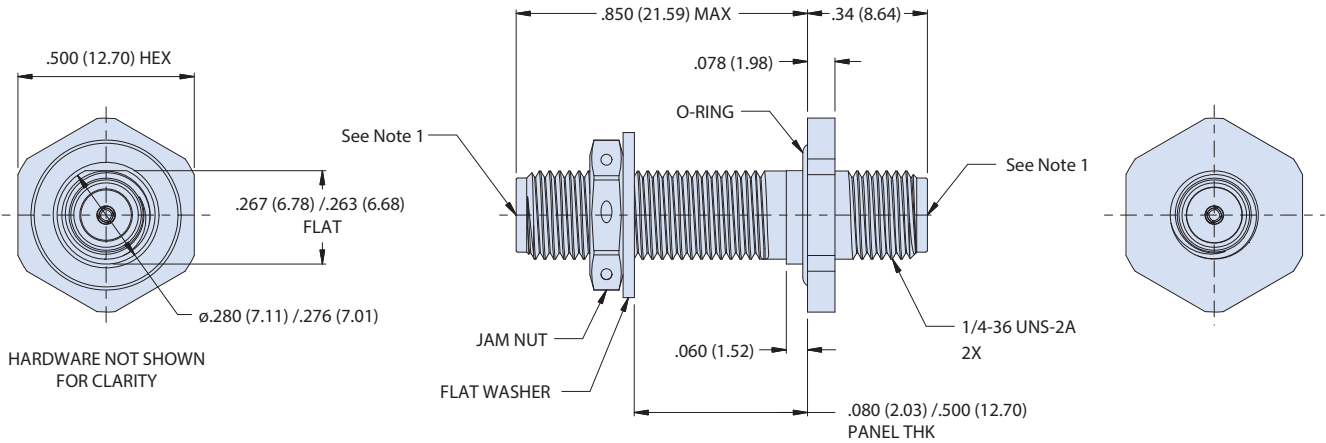
Product Series

**GRF01-0003**

**Z1**

**Material/Finish**

- Z1** = Stainless Steel / Passivated
- ZL** = Stainless Steel / Nickel Plate
- BM** = Copper Alloy / Nickel



**RECOMMENDED  
 PANEL CUTOUT**

**APPLICATION NOTES**

1. Adapter interfaces PER MIL-STD-348, SMA, socket contact

**Material / Finish**

- Shells and plate: see part number development
- Insulators: high grade rigid dielectric / N.A.
- O-ring & seals: fluorosilicone / N.A.
- Contacts: copper alloy / gold over nickel
- Sealing compound: polymer encapsulant

**Performance**

- Meets applicable mechanical and environmental requirements per MIL-PRF-39012/92
- Nominal Impedance: 50 Ohms
- Frequency range: 0 to 12 GHz
- Voltage rating: 335 Vac, sea level; 85 Vac, 70K feet
- Operating temperature: -65°C to 150°C
- Leak Rate:  $1 \times 10^{-7}$  ccHe/s max 1 ATM

Dimensions in Inches (millimeters) are subject to change without notice.