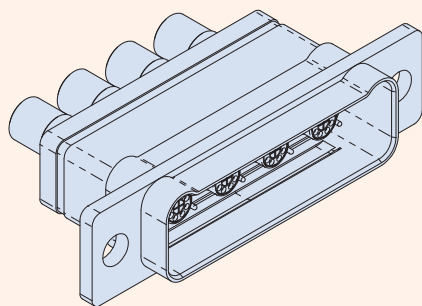


792-002P Receptacle Connectors

Crimp Removable, Rear Release Contacts



RELIABLE DESIGN

- 100% scoop-proof
- Snap-in, rear release contacts
- EMI shell-to-shell continuity

High-speed

- Quadrax or El Ochito® contacts (purchased separately)

Size 8 quadrax or El Ochito® octaxial contacts. Rugged construction. Ultraminiature. Series 792 connectors are intended for 10Gb Ethernet, USB 3.0 and other multi-gigabit protocols. 792-002P cable connectors feature machined aluminum shells with polarizing lobes. Scoop-proof interface for problem-free service. **Crimp removable size 8 contacts are purchased separately.** "Combo" arrangements are supplied with unassembled size 23 contacts. Military-grade materials, finishes and construction.

How To Order

	Sample Part Number → 792-002P	E-5W5	M	E	S
Product	792-002P = Cable Receptacle, Pin Contacts				
Insert Arrangement	See Table 2				
Shell Finish	M = Electroless Nickel MT = Nickel-PTFE				
EMI Spring	N = No EMI Spring E = EMI Spring				
Mating Hardware (Table 1)	N = Thru-Holes (no hardware) S = Short Screwlocks, Hex Head T = Long Screwlocks, Slot Head L = Short Jackscrews, Hex Head K = Long Jackscrews, Slot Head P = Female Jackposts				

Table 1 Mating Hardware

Thread size is #8-32. 300 series stainless steel. Jackscrews and screwlocks are non-removable. Screwlocks allow full connector mating before the screwlocks are tightened. Jackscrews must be tightened to mate the connectors.

N No Hardware Thru-holes in flange	P Jackpost with nut and washer MAX .190 (4.83)	L Short Jackscrew Hex head MAX .155 (3.94)	K Long Jackscrew Slot head MAX .925 (23.5)	S Short Screwlock Hex head MAX .290 (7.37)	T Long Screwlock Slot head MAX .925 (23.5)
--	---	---	---	---	---

Table 2 Insert Arrangements

Insert arrangement	Number of Contacts		Insert arrangement	Number of Contacts	
	#23	#8		#23	#8
A-1W1, A-1G1*		1	D-27W3	24	3
A-3W1	2	1	D-4W4, D-4G4*		4
B-23W1	22	1	D-12W4	8	4
B-2W2, B-2G2*		2	E-45W3	42	3
B-6W2	4	2	E-5W5, E-5G5*		5
C-24W2	22	2	E-15W5	10	5
C-3W3, C-3G3*		3	F-9W9, F-9G9*		9
C-9W3	6	3	F-31W9	22	9

Cavity identification numbers shown are for mating face of plug connectors with socket contacts.

* Insert arrangements with "G" designator are grounded type with metal insert. Insert arrangements with "W" designator have thermoplastic dielectric.

SERIES 792

High-Speed Ultraminiature Rectangular Connectors



792-002P Receptacle Connectors

Crimp Removable, Rear Release Contacts

Technical Data

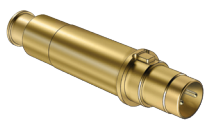
Specifications

- Operating temperature: -65° to +150°C
- Current rating, size 23 contact: 5A
- Voltage rating (DWV): 750 Vac, size 23 1800 Vac size 8 body to connector shell
- Wire size, #23 contact: AWG 22-28
- Shock: EIA-364-27 condition D
- Vibration: EIA-364-28 condition V, letter E
- Insulation Resistance: 5000 MΩ min.
- Shell-to-shell resistance with EMI spring: 2.5 mΩ max.
- Altitude immersion: 75,000 feet

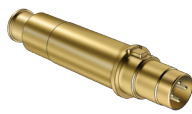
Construction

- Shell: aluminum alloy
- Metal insert: aluminum, nickel plated
- Insulators: high-grade rigid dielectric
- Contacts: copper alloy, 50 microinches gold over nickel plating
- Wire grommet, interfacial seal: fluorosilicone blend
- Contact retention clip, insert retention clip: copper alloy
- EMI spring: copper alloy, nickel plated
- Hardware: 300 series stainless steel, passivated

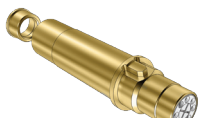
Size 8 Datalink Pin Contacts (not supplied with Connector)



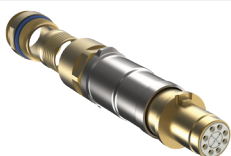
Differential Twinax
853-076



Quadrax
854-047



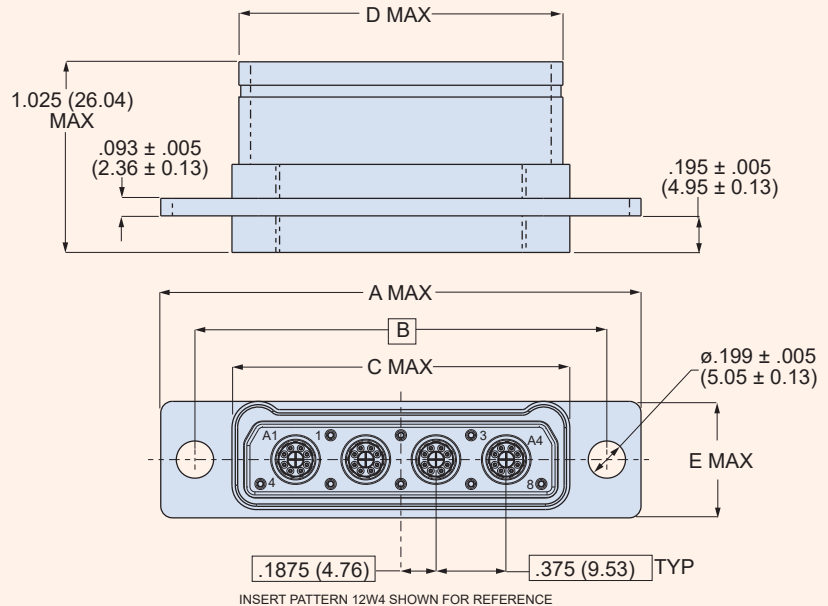
El Ochito Type I
10Gb Ethernet 858-045
USB 3.0 858-047
HDMI, DisplayPort, SATA 858-049



El Ochito Type II
10Gb Ethernet (White) 858-043

792-002P Dimensions

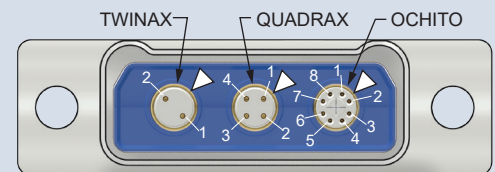
Shell Size	A Max		B Basic		C Max		D Max		E Max	
	In.	mm.	In.	mm.	In.	mm.	In.	mm.	In.	mm.
A	1.455	36.96	1.075	27.31	.690	17.53	.610	15.49	.635	16.13
B	1.830	46.48	1.450	36.83	1.065	27.05	.985	25.02	.635	16.13
C	2.205	56.01	1.825	46.36	1.440	36.58	1.360	34.54	.635	16.13
D	2.580	65.53	2.200	55.88	1.815	46.10	1.735	44.07	.635	16.13
E	2.955	75.06	2.575	65.41	2.190	55.62	2.110	53.59	.635	16.13
F	2.955	75.06	2.575	65.41	2.190	55.62	2.110	53.59	1.010	25.65



Contact Polarizing Key Location and Identification

Series 792 connectors have a polarizing keyway in size 8 contact cavities. This keyway orients and aligns twinax, quadrax and El Ochito® contacts. The connector keyway is rotated 45° from top dead center. These illustrations show the location of the polarizing key and the contact numbers when looking at the mating face of the receptacle (pin) connector.

792-002 MATING FACE



△ SYMBOL SHOWS POLARIZING KEY LOCATION

Size 23 Pin Contacts

Contact	Crimper	Positioner
850-163	809-015 (M22520/2-01)	859-214 (DMC# K2104)

Insertion/Removal Tools

Insertion/Removal Tool for Size 23 Contact	Removal Tool for Size 8 Contacts
809-088	859-049 (M81969/14-12)