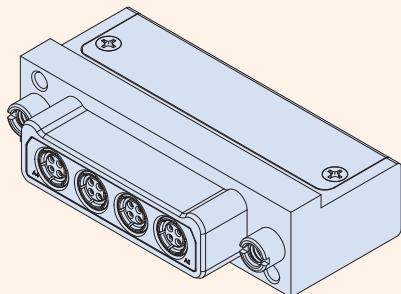


### 792-022S Quadrax Right Angle PCB Plug Connectors

#### Epoxy-Sealed 90° PC Tail Quadrax Contacts



#### Technical Data

##### Specifications

- Operating temperature: -65 to +175 °C
- Current rating, size 23 contact: 5A
- Current rating, Quadrax contacts: 1.5A
- Voltage rating (DWV): 750 Vac
- Shock: EIA-364-27 condition D
- Vibration: EIA-364-28 condition V, letter E
- Insulation Resistance: 5000 MΩ min.
- Shell-to-shell resistance with EMI spring: 2.5 mΩ max.
- Altitude immersion: 75,000 feet

##### Construction

- Shell: aluminum alloy
- Metal insert: aluminum, nickel plated
- Insulators: high-grade rigid dielectric
- Size 23 contacts: copper alloy, 50 microinches gold over nickel plating
- Quadrax contacts: Copper alloy, 50 microinches gold over nickel plating. Insulators: high-grade rigid thermoplastic
- Hardware: 300 series SST, passivated
- Potting compound: epoxy

**Board mount Quadrax contacts. EMI protection.** Series 792 PCB Quadrax connectors are intended for 100BASE-T and ARINC 664 protocols. 792-022S connectors feature quadrax contacts with right angle printed circuit board tails, machined aluminum shells and environmental protection. Contacts are epoxy-sealed and are non-removeable. Scoop-proof interface for problem-free service. Military-grade performance and construction.

#### How To Order

	Sample P/N → 792-022S	D-4P4	M	P
<b>Product</b>	792-022S = Right Angle PCB Plug, Quadrax Socket Contacts			
<b>Insert Arrangement</b>	See Table 2			
<b>Shell Finish</b>	M = Electroless Nickel MT = Nickel-PTFE			
<b>Mating Hardware (Table 1)</b>	N = No Hardware P = Jackposts G = Guide Pins			

#### Table 1 Mating Hardware

 <b>N</b> <b>No Hardware</b> Blind tapped holes	 <b>P</b> <b>Jackposts</b> Non-removable 8-32 UNC-2B thread	 <b>G</b> <b>Guide Pins</b> Non-removable
--	---	--

#### Table 2 Insert Arrangements

Insert arrangement	Number of Contacts		Insert arrangement	Number of Contacts	
	#23	#8		#23	#8
A-1P1, A-1G1*		1	C-9P3	6	3
A-3P1	2	1	D-27P3	24	3
B-23P1	22	1	D-4P4, D-4G4*		4
B-2P2, B-2G2*		2	D-12P4	8	4
B-6P2	4	2	E-45P3	42	3
C-24P2	22	2	E-5P5, E-5G5*		5
C-3P3, C-3G3*		3	E-15P5	10	5

Cavity identification numbers shown are for mating face of plug connectors with socket contacts.

\* Insert arrangements with "G" designator are grounded type with metal insert. Insert arrangements with "P" designator have thermoplastic dielectric.

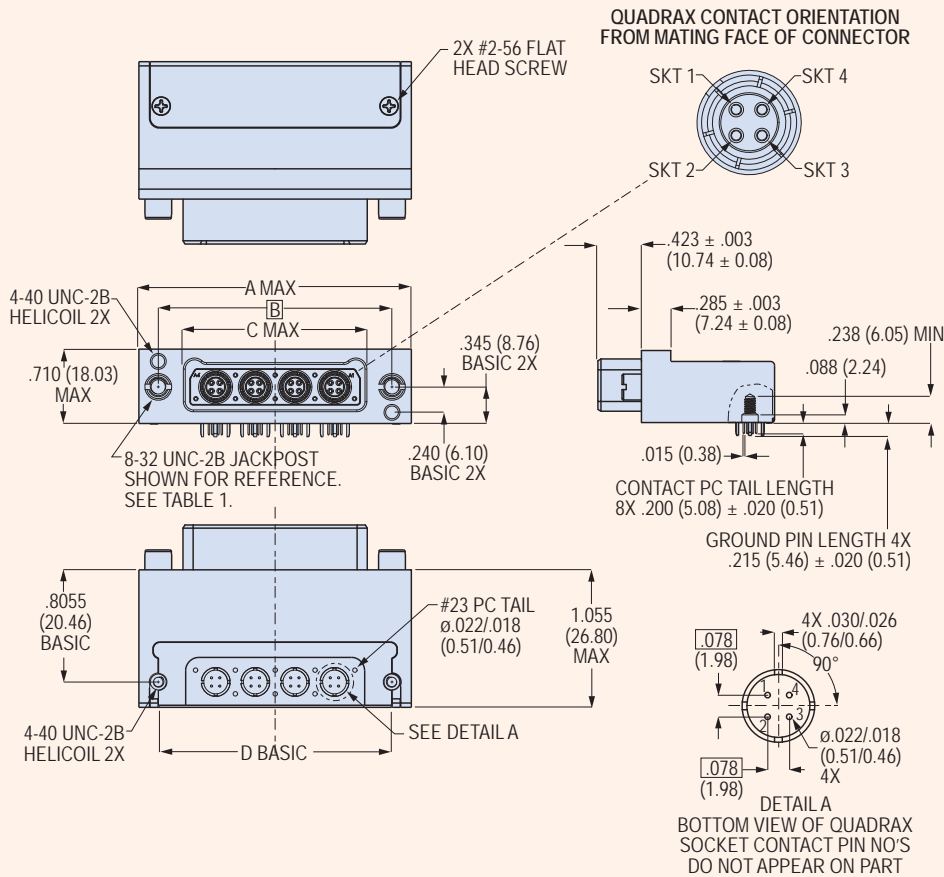
# SERIES 792

## High-Speed Ultraminiature Rectangular Connectors

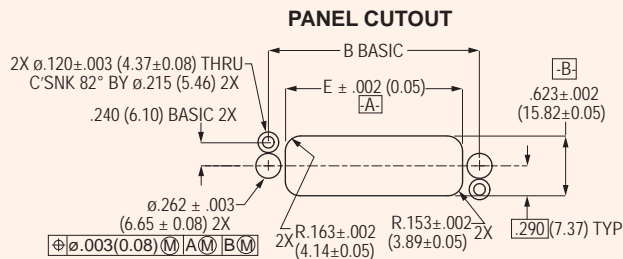
### 792-022S Quadrax Right Angle PCB Plug Connectors Epoxy-Sealed 90° PC Tail Quadrax Contacts

#### 792-022S Dimensions

Shell Size	A Max		B Basic		C Max		D Basic		E ±.002 (0.05)	
	In.	mm.	In.	mm.	In.	mm.	In.	mm.	In.	mm.
<b>A</b>	1.455	36.96	1.075	27.31	.615	15.62	1.075	27.31	.725	18.42
<b>B</b>	1.830	46.48	1.450	36.83	.990	25.15	1.450	36.83	1.100	27.94
<b>C</b>	2.205	56.01	1.825	46.36	1.365	34.67	1.825	46.36	1.475	37.47
<b>D</b>	2.580	65.53	2.200	55.88	1.740	44.20	2.200	55.88	1.850	46.99
<b>E</b>	2.955	75.06	2.575	65.41	2.115	53.72	2.575	65.41	2.225	56.52



#### 792-022S Panel Cutout



### 792-022S Quadrax Right Angle PCB Plug Connectors

#### Epoxy-Sealed 90° PC Tail Quadrax Contacts

#### 792-022S Printed Circuit Board Layouts

