

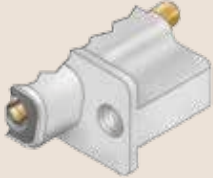
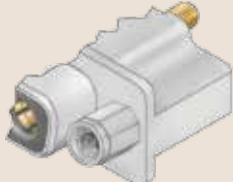
280-057S right angle PC tail socket connectors with low profile mounting flange



The HiPer-D® is a high performance version of the M24308-type D-Subminiature connector. HiPer-D® connectors feature improved EMI performance and environmental sealing and “closed entry” contact cavity for improved contact protection. Factory-installed PC tail contacts, integral board standoffs and threaded holes for attaching to circuit board. Gold-plated copper alloy contacts, one-piece machined aluminum shell, glass-reinforced thermoset epoxy insulator, epoxy potting compound. 1000 VAC, 7.5 Amps (#20), up to 40 Amps with size #8 power contacts.

How To Order					
Sample Part Number	280-057S	4-27P2	JF	P	B
Basic Part Number	280-057S				
Shell Size-Contact Arrangement	See Shell Size - Contact Arrangements Table				
Shell Finish	ME = Electroless Nickel (RoHS) MT = Nickel-PTFE (RoHS) JF = Cadmium with Yellow Chromate Z2 = Gold (RoHS) Z1 = Passivated Stainless Steel (RoHS)				
Hardware Option	N = No Hardware P = #4-40 Female Jackpost				
PC Tail Length	A = .125 (3.18) Tail Length B = .250 (6.35) Tail Length				

Contact Arrangements		
Shell Size-Contact Arr.	Contact Size and Qty	
	#20	#8
1-2P2		2
1-5P1	4	1
2-3P3		3
2-7P2	5	2
2-11P1	10	1
3-5P5		5
3-9P4	5	4
3-13P3	10	3
3-17P2	15	2
3-21P1	20	1
4-8P8		8
4-13P6	7	6
4-17P5	12	5
4-21PA4	17	4
4-25P3	22	3
4-27P2	25	2
5-24P7	17	7
5-36P4	32	4
5-43P2	41	2
5-47P1	46	1

Mating Hardware
<p>N No Hardware #4-40 Female Threads in Mounting Holes</p>  <p>Choose this option for rear panel mounting and order jackpost kit 289-016 separately.</p>
<p>P #4-40 Female Jackposts</p> 

Specifications	
Current Rating	#20 7.5 AMPS, #8 40 AMPS
Test Voltage	1000 VAC RMS
Insulation Resistance	5000 megohms minimum
Operating Temperature	-65° C. to +200° C.
Ingress Protection	IP 67
Shock	300 g.
Vibration, Random	43.92 g.

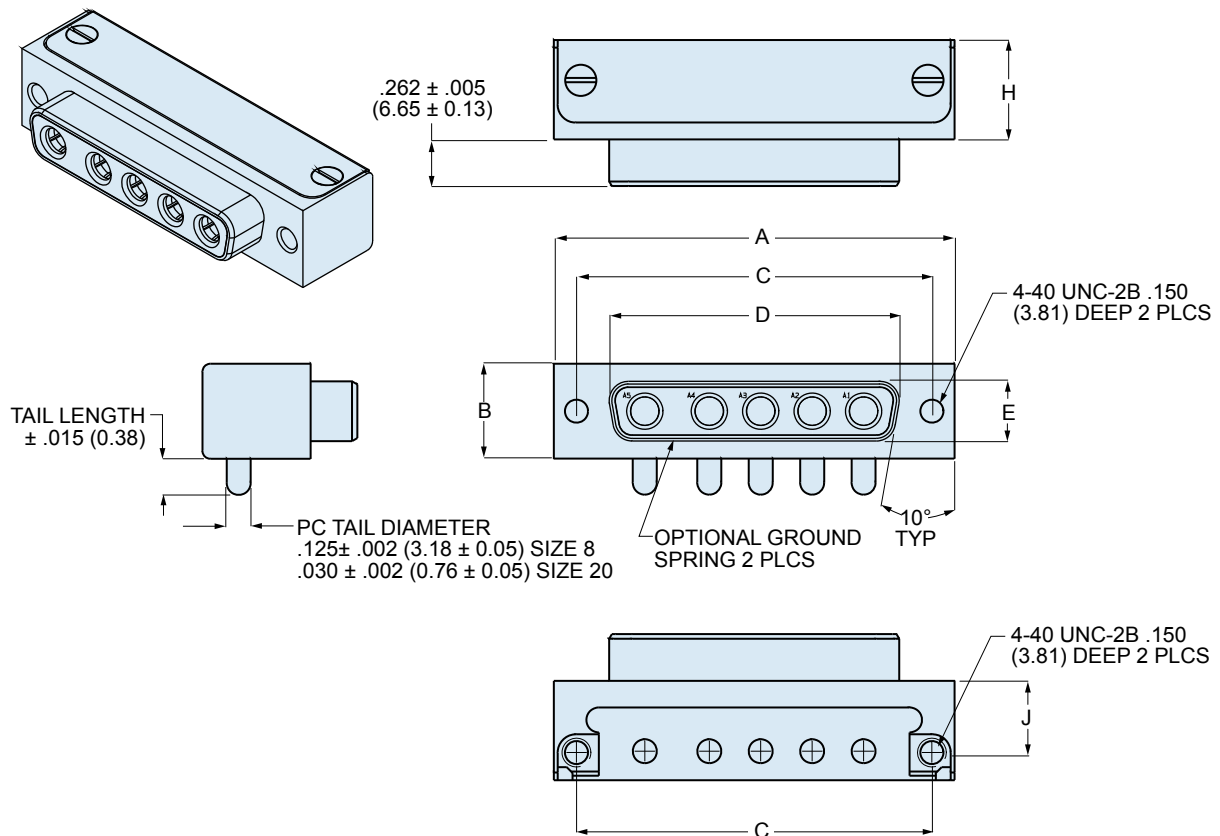
Materials and Finishes	
Shell	Aluminum alloy
Contacts	Copper alloy, 50 microinches gold
Insulator	Thermoset epoxy
Potting Compound	Epoxy
Hardware	300 series stainless steel
Shroud	Stainless steel

SERIES 28 HiPer-D® Combo Connectors



280-057S right angle PC tail socket connectors with low profile mounting flange

280-057S DIMENSIONS



Dimensions														
Shell Size	A		B		C Basic		D		E		H Max		J	
	in ± .015	mm ± 0.38	in ± .015	mm ± 0.38	in.	mm	in ± .005	mm ± 0.13	in ± .005	mm ± 0.13	in.	mm	in ± .005	mm ± 0.13
1	1.213	30.81	.494	12.55	.984	24.99	.643	16.33	.311	7.90	.518	13.16	.374	9.50
2	1.541	39.14	.494	12.55	1.312	33.32	.971	24.66	.311	7.90	.518	13.16	.374	9.50
3	2.088	53.04	.494	12.55	1.852	47.04	1.511	38.38	.311	7.90	.518	13.16	.374	9.50
4	2.729	69.32	.494	12.55	2.500	63.50	2.159	54.84	.311	7.90	.518	13.16	.374	9.50
5	2.635	66.93	.605	15.37	2.406	61.11	2.064	52.43	.423	10.74	.630	16.00	.430	10.92

NOTES

1. Contacts are factory-installed, non-removable and are potted with epoxy.
2. HiPer-D® connectors are available with a wide variety of materials and finishes. See [About Series 28 HiPer-D® Shell Plating Options](#) for additional choices.
3. For panel cutout dimensions, refer to [Panel Cutouts and Printed Circuit Board Footprints](#).
4. For printed circuit board mounting dimensions, refer to [Panel Cutouts and Printed Circuit Board Footprints](#).
5. Combo HiPer-D® connectors meet the applicable requirements of MIL-DTL-24308 and are intermateable with standard M24308-type D-Subminiature combo connectors with corresponding contact arrangements and type.
6. Additional electrical, mechanical and environmental specifications are listed in [HiPer-D® Product Specification](#).