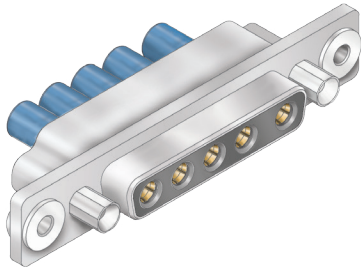


## 280-059S float mount combo socket connectors for blind mating, crimp termination



Combo HiPer-D® float mount connectors for blind mate applications feature size #20 signal contacts and size #8 power or coax contacts. **Size #8 contacts are ordered separately.** The HiPer-D® features a rugged machined aluminum shell and wire grommet for environmental protection. Size #20 contacts are packaged with connector. Terminate contacts with crimp tools purchased separately. Glass-reinforced thermoset epoxy insulators, copper alloy retention clips. Fluorosilicone rear grommet meets IP67 immersion requirement. 1000 VAC, 7.5 Amps (#20), up to 40 Amps with size #8 power contacts.

How To Order					
<b>Sample Part Number</b>		<b>280-059S</b>	<b>5-24W7</b>	<b>ME</b>	<b>G</b>
<b>Basic Part Number</b>	<b>280-059S</b>				
<b>Shell Size-Contact Arrangement</b>	See Shell Size - Contact Arrangements Table				
<b>Shell Finish</b>	<b>ME</b> = Electroless Nickel (RoHS) <b>MT</b> = Nickel-PTFE (RoHS) <b>JF</b> = Cadmium with Yellow Chromate <b>Z2</b> = Gold (RoHS) <b>Z1</b> = Passivated Stainless Steel (RoHS)				
<b>Mating Hardware</b>	<b>N</b> = No Hardware <b>G</b> = Male Guide Pins <b>B</b> = Female Guide Bushings				

Contact Arrangements		
Shell Size-Contact Arr.	Contact Size and Qty	
	#20	#8
1-2W2		2
1-5W1	4	1
2-3W3		3
2-7W2	5	2
2-11W1	10	1
3-5W5		5
3-9W4	5	4
3-13W3	10	3
3-17W2	15	2
3-21W1	20	1
4-8W8		8
4-13W6	7	6
4-17W5	12	5
4-21WA4	17	4
4-25W3	22	3
4-27W2	25	2
5-24W7	17	7
5-36W4	32	4
5-43W2	41	2
5-47W1	46	1

Mating Hardware
<p><b>N</b> No Hardware #8-32 tapped hole</p>
<p><b>B</b> Female Guide Bushings Non-removable</p>
<p><b>G</b> Male Guide Pins Non-removable</p>

Specifications	
Current Rating	#20 7.5 AMPS, #8 40 AMPS
Test Voltage	1000 VAC RMS
Insulation Resistance	5000 megohms minimum
Operating Temperature	-65° C. to +200° C.
Ingress Protection	IP 67
Shock	300 g.
Vibration, Random	43.92 g.

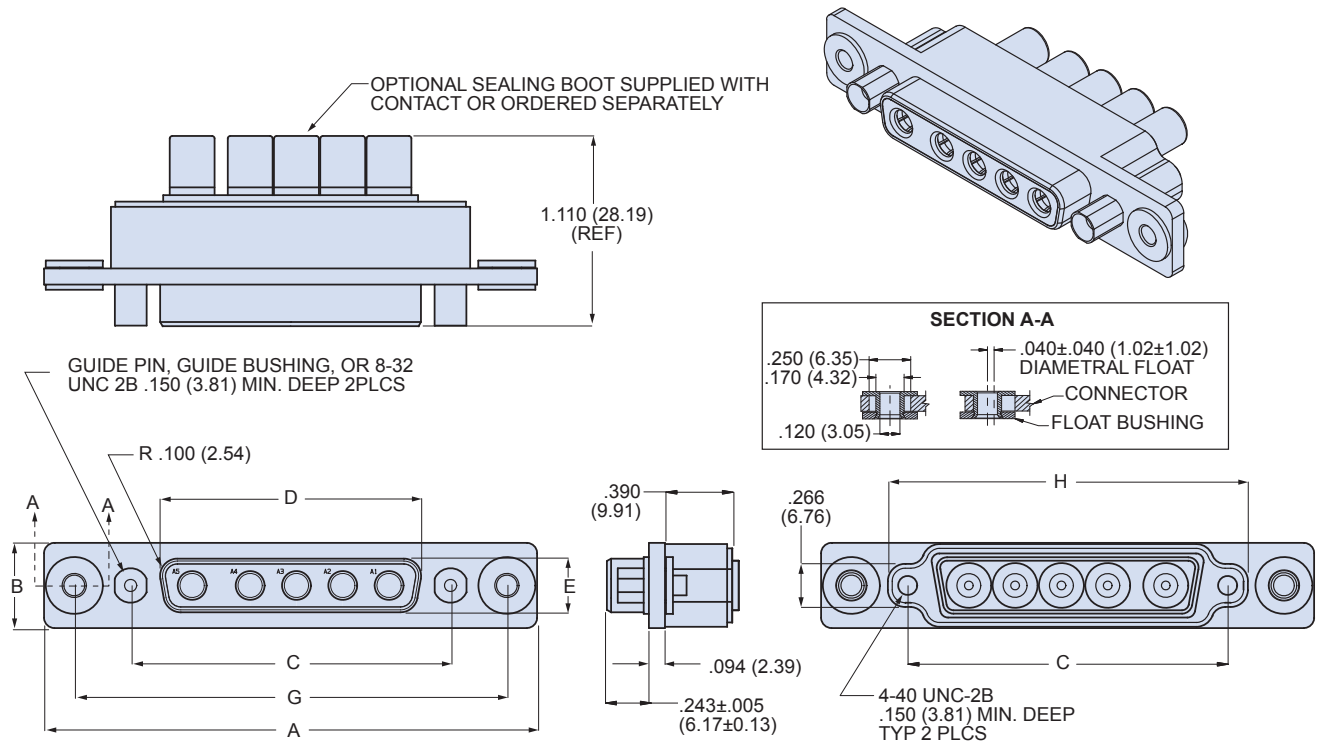
Materials and Finishes	
Shell	Aluminum alloy
Contacts	Copper alloy, 50 microinches gold
Insulators	Thermoset epoxy
Retention Clips	Copper alloy
Grommet, O-ring	Fluorosilicone rubber
Hardware	300 series stainless steel

# SERIES 28 HiPer-D® Combo Connectors



## 280-059S float mount combo socket connectors for blind mating, crimp termination

### 280-059S DIMENSIONS



Shell Size	Dimensions											
	A		B		C Basic		E		G Basic		H	
	in ± .015	mm ± 0.38	in ± .015	mm ± 0.38	in.	mm	in ± .005	mm ± 0.13	in	mm	in ± .005	mm ± 0.13
1	1.986	50.44	.494	12.55	.984	24.99	.311	7.90	1.636	41.55	1.213	30.81
2	2.314	58.78	.494	12.55	1.312	33.32	.311	7.90	1.964	49.89	1.541	39.14
3	2.854	72.49	.494	12.55	1.852	47.04	.311	7.90	2.504	63.60	2.081	52.86
4	3.502	88.95	.494	12.55	2.500	63.50	.311	7.90	3.152	80.06	2.729	69.32
5	3.408	86.56	.600	15.24	2.406	61.11	.423	10.74	3.058	77.67	2.635	66.93

### NOTES

1. See [About Series 28 HiPer-D® Shell Plating Options](#) for additional shell material and finish options. Glenair offers the industry's widest selection of plating options with no minimum order quantities or setup charges.
2. For panel cutouts, refer to [Panel Cutouts and Printed Circuit Board Footprints](#).
3. Connectors are supplied with size #20 crimp contacts per M39029. Contacts are not installed. Refer to [HiPer-D® Contacts and Tools](#) section for contact part numbers, specifications, crimp tool information, and insertion/extraction tools.
4. **Size 8 contacts are ordered separately.** Refer to [HiPer-D® Contacts and Tools](#) section for contact ordering information, specifications, crimp tool information, and insertion/extraction tools.
5. Combo HiPer-D® connectors meet the applicable requirements of MIL-DTL-24308 and are intermateable with standard non-environmental D Subminiature connectors with corresponding contact arrangements and type. **Size 8 contacts from other manufacturers cannot be installed in HiPer-D® connectors.**
6. Additional electrical, mechanical and environmental specifications are listed in [HiPer-D® Product Specification](#).