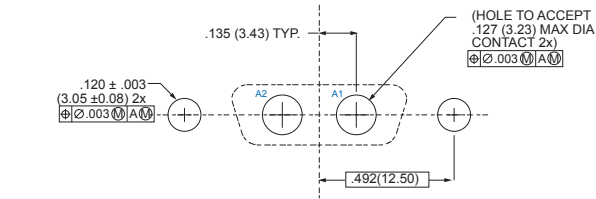
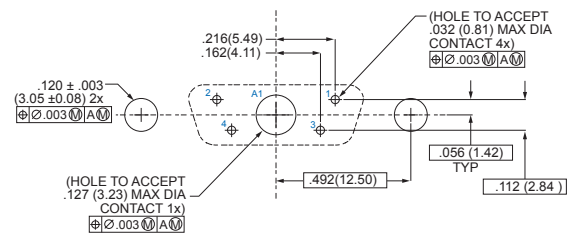


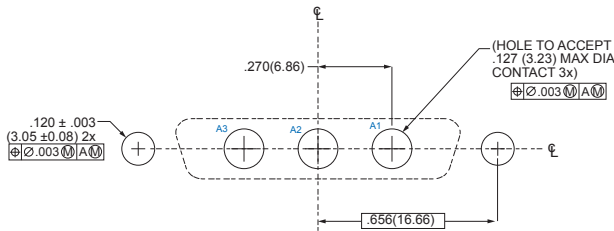
PCB FOOTPRINT FOR 280-051S AND 280-055S COMBO CONNECTORS



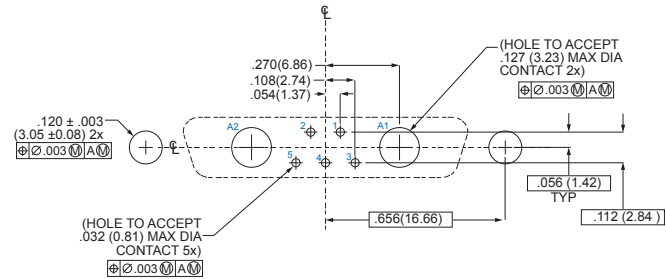
1-2P2
2 #8



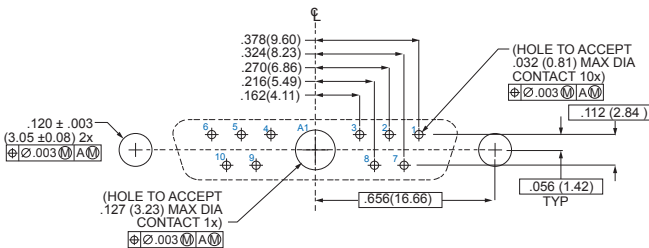
1-5P1
1 #8, 4 #20



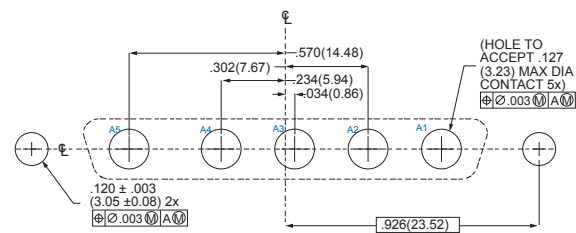
2-3P3
3 #8



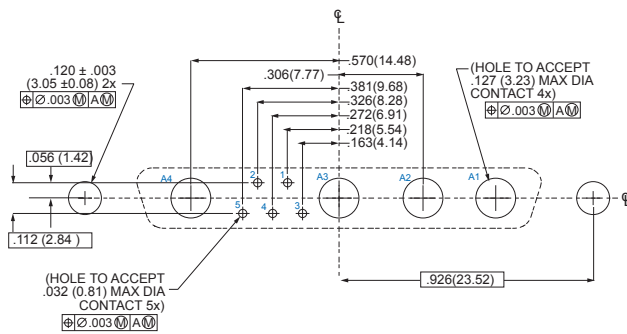
2-7P2
2 #8, 5 #20



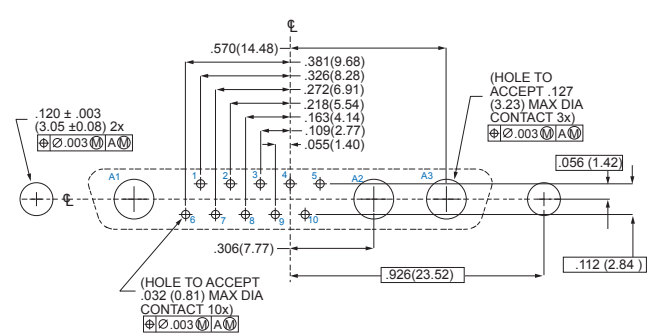
2-11P1
1 #8, 10 #20



3-5P5
5 #8



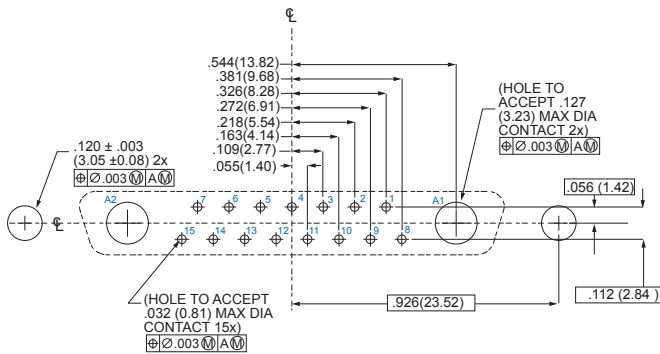
3-9P4
4 #8, 5 #20



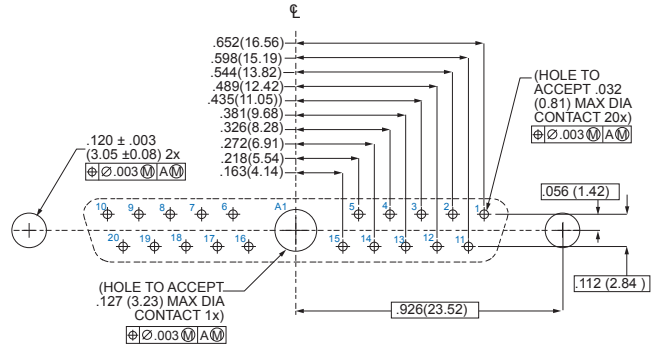
3-13P3
3 #8, 10 #20

PCB footprints for combo socket connectors with straight PC tails

PCB FOOTPRINT FOR 280-051S AND 280-055S COMBO CONNECTORS

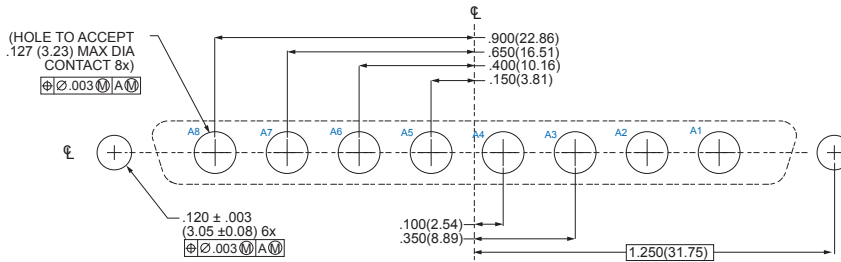


3-17P2
2 #8, 15 #20

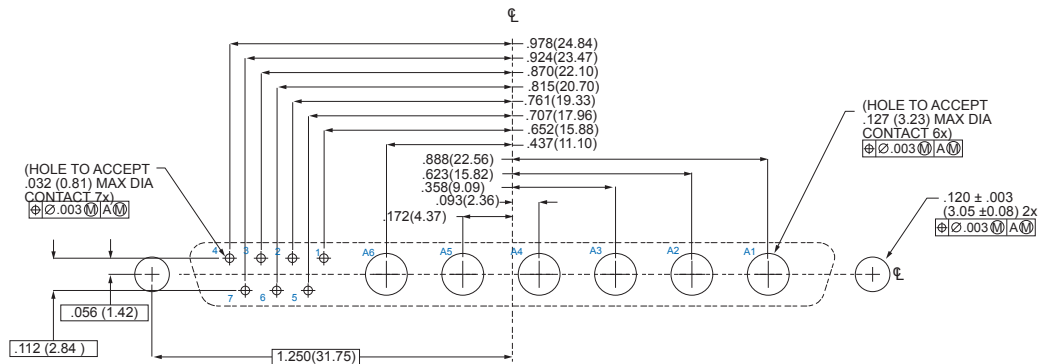


3-21P1
1 #8, 20 #20

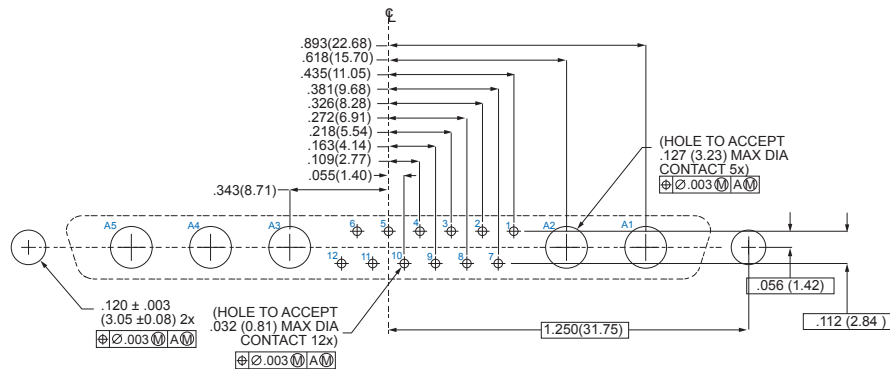
4-8P8
8 #8



4-13P6
6 #8, 7 #20

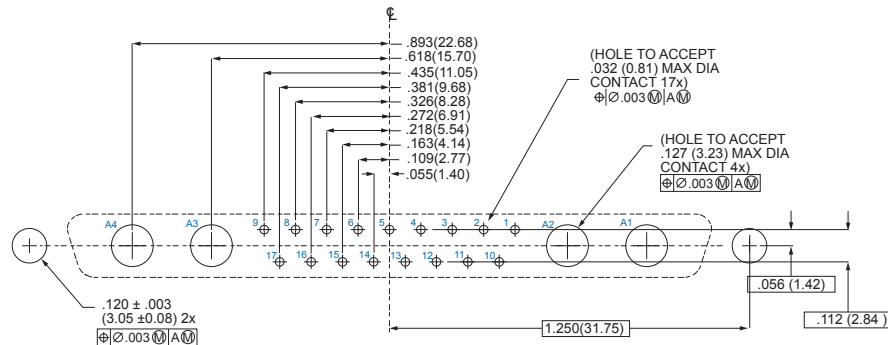


4-17P5
5 #8, 12 #20

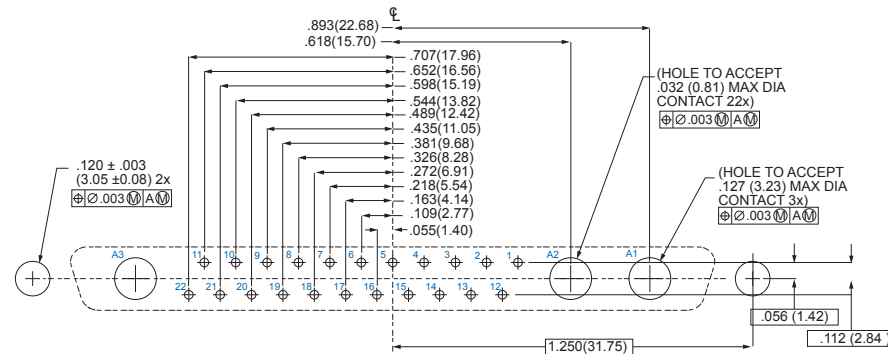


PCB FOOTPRINT FOR 280-051S AND 280-055S COMBO CONNECTORS

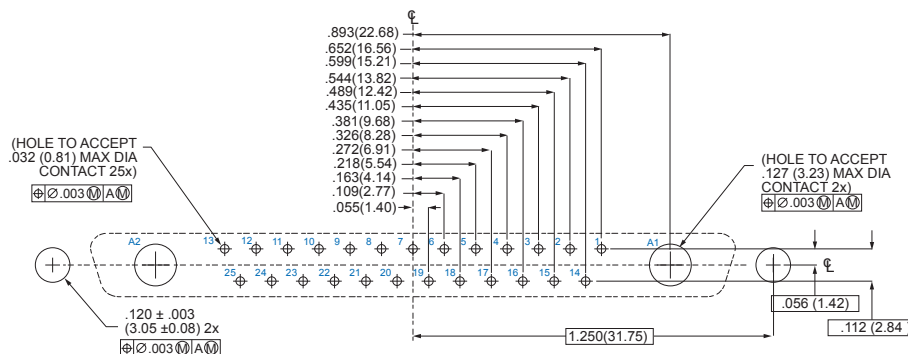
4-21PA4
4 #8, 17 #20



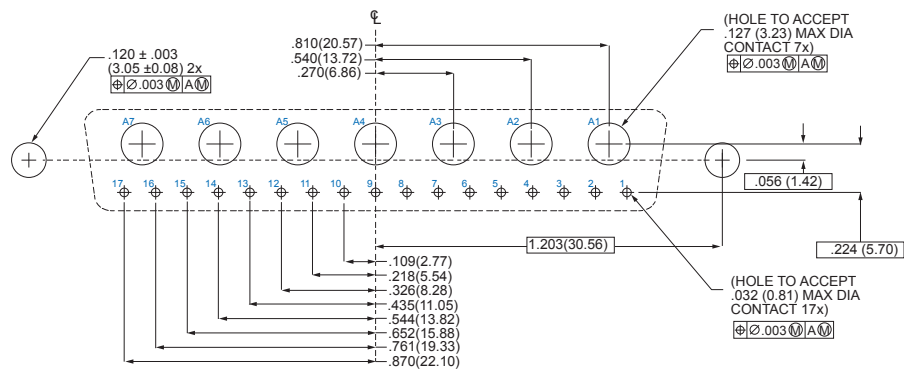
4-25P3
3 #8, 22 #20



4-27P2
2 #8, 25 #20

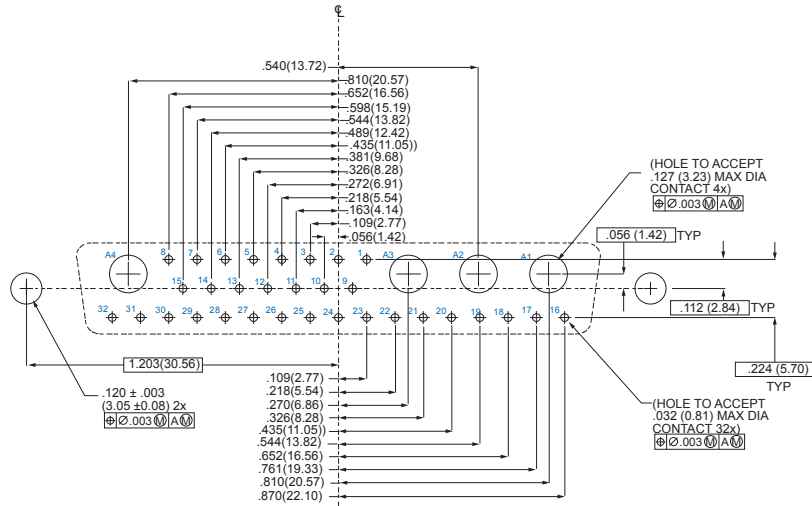


5-24P7
7 #8, 17 #20

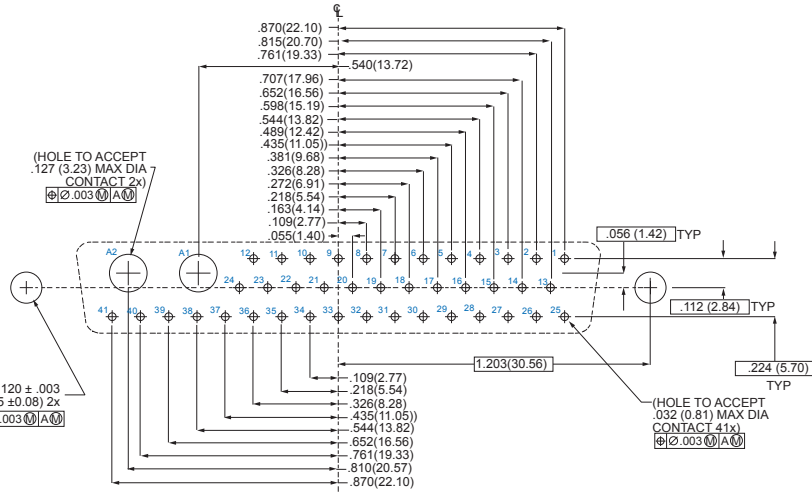


PCB FOOTPRINT FOR 280-051S AND 280-055S COMBO CONNECTORS

5-36P4
4 #8, 32 #20



5-43P2
2 #8, 41 #20



5-47P1
1 #8, 46 #20

