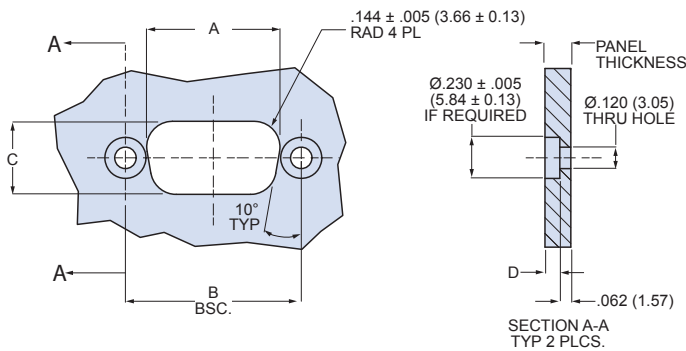


Panel cutout and mounting information for cable connectors and low profile PCB connectors

PANEL CUTOUT FOR REAR-MOUNTED CABLE CONNECTORS AND LOW PROFILE PCB CONNECTORS

Rear Mount Panel Cutout (1)



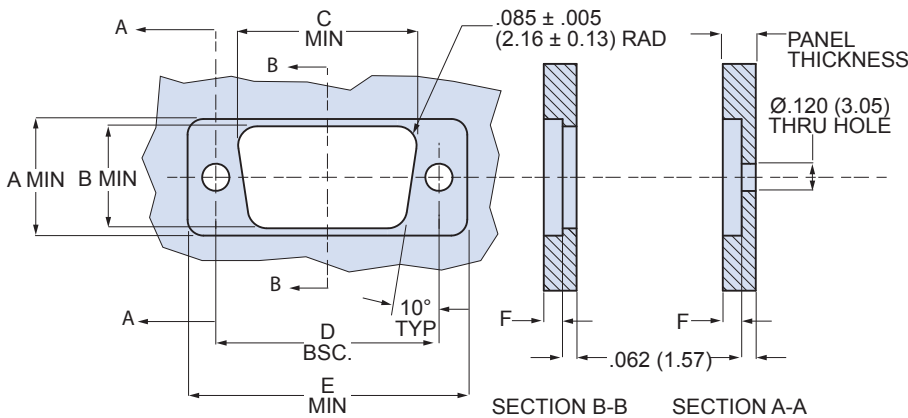
Shell Size	A		B Basic		C	
	in	mm	in	mm	in	mm
1	.746	18.95	.984	24.99	.409	10.39
2	1.074	27.28	1.312	33.32	.409	10.39
3	1.614	41.00	1.852	47.04	.409	10.39
4	2.262	57.45	2.500	63.50	.409	10.39
5	2.159	54.84	2.406	61.11	.521	13.23
6	2.288	58.22	2.500	63.50	.583	14.81

Application Note for Rear Panel Mounting

(1) For rear mounting with female Jackposts, use shortened jackposts per the table at right. For panel thickness greater than .062 (1.57), the panel must be counterbored.

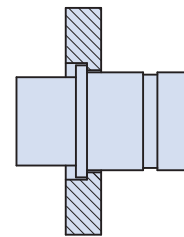
Panel Thickness		D		Jackpost Part Number for Cable Connectors	Jackpost Part Number for Low Prof. PCB Connectors
in	mm	in	mm		
No Panel	N/A	N/A	N/A	289-015-A	289-016-A
.031	0.79	N/A	N/A	289-015-B	289-016-B
.047	1.19	N/A	N/A	289-015-C	289-016-C
.062	1.57	N/A	N/A	289-015-D	289-016-D
.093	2.36	.031	0.79	289-015-D	289-016-D
.125	3.18	.063	1.60	289-015-D	289-016-D
.156	3.96	.094	2.39	289-015-D	289-015-D

PANEL CUTOUT FOR FRONT-MOUNTED CABLE CONNECTORS



Front Mount Panel Cutout

WHEN FRONT PANEL MOUNTING ON PANELS THICKER THAN .062 (1.57), CONNECTOR WILL SIT IN PANEL AS SHOWN



Shell Size	A		B		C		D Basic		E	
	in	mm	in	mm	in	mm	in	mm	in	mm
1	.514	13.06	.450	11.43	.787	19.99	.984	24.99	1.233	31.32
2	.514	13.06	.450	11.43	1.111	28.22	1.312	33.32	1.561	39.65
3	.514	13.06	.450	11.43	1.653	41.99	1.852	47.04	2.108	53.54
4	.514	13.06	.450	11.43	2.300	58.42	2.500	63.50	2.749	69.82
5	.625	15.88	.552	14.02	2.190	55.63	2.406	61.11	2.655	67.44
6	.688	17.48	.614	15.60	2.315	58.80	2.500	63.50	2.749	69.82

Application Note for Front Panel Mounting

Panels thicker than .062 (1.57) should be machined as shown in order to prevent interference with mounting hardware and backshells. Front-mounted connectors are compatible with female Jackpost 289-015-A or M24308/26-1.